

# iXd24

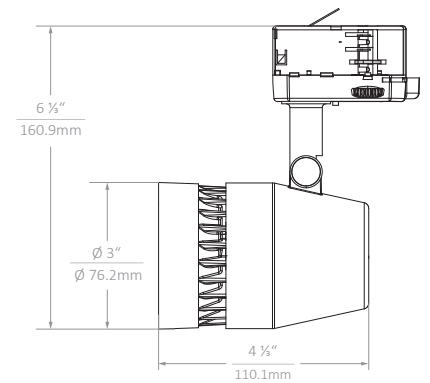
## MID-HIGH OUTPUT | 3-IN INTERNATIONAL TRACKHEAD

# SOLAIS®

PROJECT \_\_\_\_\_

TYPE \_\_\_\_\_

- / 240 V
- / 50,000 Hours (L70)
- / 50Hz integrated driver
- / 355° rotation; 0-90° head tilt
- / RoHs-compliant
- / Dry location rating, IP20
- / Contains no lead or mercury
- / Non-dimmable
- / Designed for use with G1-type (1 circuit/1 neutral) or G3-type (3 circuit/1 neutral) track systems
- / The luminaire shall only be used with a certified track system according to the latest standard of IEC / EN 60570
- / 90+ High CRI standard
- / Input Power and Delivered Lumens
  - 16 W; 1100 lumens
  - 22 W; 1500 lumens
  - 26 W; 2000 lumens



Weight: 362.9 g / 12.8 oz



### Ordering Information

Example: iXd24/25c/930/2000/PW/G1/SN

Fixture	Beam Spread	CCT	Lumens	Housing Color	Track Type	Options + Accessories
iXd24	COB-optic 15c 25c 40c	27 - 2700K 30 - 3000K 35 - 3500K 40 - 4000K	1100 1500 2000	PW - Perfect White SV - Silver BK - Black	G1* G3*	TS - Tapered Snoot HL - Honeycomb Louver SL - Linear Spread SP - Prismatic Spread SS - Solite Spread More Accessories Available
		<b>CRI</b> 9 - 90+ M - Monowhite*				



Warranty



IES Files



Dimmers



Accessories

**WARNING:** Not for use in fully enclosed luminaires. Risk of electric shock. Use in an indoor, dry location only. This device is not intended for use with emergency exit fixtures or emergency exit lights. May not be compatible with all dimmers; please visit [solais.com/dimming](http://solais.com/dimming) for up-to-date dimmer compatibility information.

**NOTES:** This device complies with Part 15 of the FCC Rule. This product may cause interference with other devices. If interference occurs, change the locations of the products involved. **Compatible on 120v systems.**