

## Zari 15 Pendant

15" Custom Order Luminaire

PROJECT \_\_\_\_\_

TYPE \_\_\_\_\_

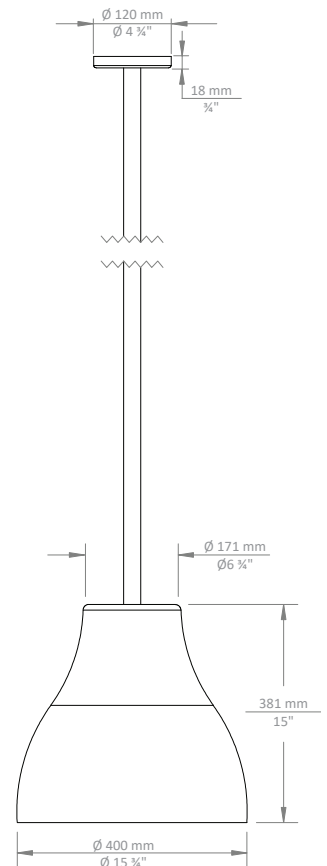
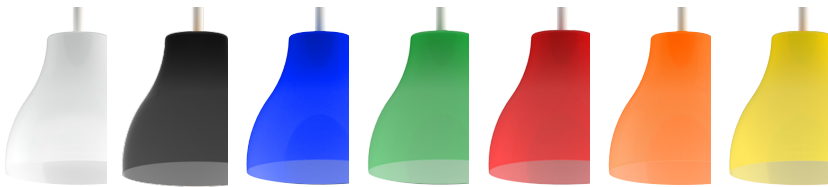
- / 120 V
- / 50,000 Hours (L70)
- / ETL Certified
- / RoHS-compliant
- / Light Source: E26 base lamp
- / Adjustable height: 5.5'
- / Weight: 5 lb.
- / Non dimming



### Ordering Information

Example: ZP15/AC/RD/ST

Fixture	Shade Material	Shade Color	Mounting
ZP15	OP - Glass AC - Acrylic	WH - White/Opal BK - Black BL - Blue GR - Green RD - Red OR - Orange YW - Yellow	ST - Stem Mount CB - Cable Mount



\*Consult factory for lead time and availability

NOTE: This product is a special order, non-stocked decorative fixture. Please consult factory for lead times, minimum ordering quantities and pricing. A prepayment will apply at PO. NCNR (non-cancelable, non-returnable.)

**WARNING:** Not for use in fully enclosed luminaires. Risk of electric shock. Use in an indoor, dry location only. This device is not intended for use with emergency exit fixtures or emergency exit lights. May not be compatible with all dimmers; please visit [solais.com/dimming](http://solais.com/dimming) for up-to-date dimmer compatibility information.

**NOTES:** This device complies with Part 15 of the FCC Rule. This product may cause interference with other devices. If interference occurs, change the locations of the products involved.

Information subject to change without notice.