

# YS3nc

## Y-SERIES | YM20 | 3-INCH SQUARE RECESSED DOWNLIGHT

PROJECT \_\_\_\_\_

TYPE \_\_\_\_\_

SPECIFICATION \_\_\_\_\_

- 120V standard
- 0-10 V, Triac and ELV dimming
- Fixed housing for downlight and pinhole; Universal housing for adjustable and wall wash options
- Internally adjustable with dual locking; 360° rotation and 40° aiming
- Modular individually specifiable optics
- Emergency backup available\*
- Passively cooled fixtures
- Dry location rating. Suitable for wet locations in covered ceiling mount area only; where water exposure happens beneath the mounting location (with lensed trim only)
- Designed for new construction ceiling installation
- Non-IC rated; insulation must be kept 3" from sides and 1" above housing
- \*MonoWhite color rendering enhancements available
- \*90+ High CRI available.  
To order, replace 'K' in CCT designation with 'h' in ordering code.



### Ordering Information

Example: YS3nc/D/Ym20/15m/30K/1450/BK/WH

Fixture	Type	Module	Beam Spread	CCT	Lumens	Options + Accessories
YS3nc	D - Downlight A - Adjustable P - Pinhole <i>(downlight and die-cast with flange only)</i> WW - Lensed Wall Wash <i>(die-cast with flange only)</i> AS - Adjustable Shallow Trim	Ym20	COB 10c 15c 25c 40c 60c	27K - 2700K 30K - 3000K 22K - 2200K* 25K - 2500K* 27K - 2700K 30K - 3000K 35K - 3500K* 40K - 4000K*	1000 1000 1600	<b>Module Options</b> TS - Tapered Snoot HL - Honeycomb Louver SL - Linear Spread SP - Prismatic Spread More Accessories Available <b>Fixture Options</b> EM - Emergency Backup  <b>Trim Finish (Cone / Flange)</b> Die-cast, Powder Coated WH / WH - White Cone and Flange BK / WH - Black Cone, White Flange SV / WH - Silver Cone, White Flange BK / BK - Black Cone and Flange SV / SV - Silver Cone and Flange BZ / BZ* - Bronze Cone and Flange BZ / WH* - Bronze Cone, White Flange BK / PW* - Black Cone, Perfect White Flange PW / PW* - Perfect White Cone and Flange SV / PW* - Silver Cone, Perfect White Flange  Lensed Die-cast, Powder Coated <i>(downlight only - polycarbonate soft diffusion lens)</i> WHL / WH - Lensed White Cone and Flange BKL / WH - Lensed Black Cone, White Flange SVL / WH - Lensed Silver Cone, White Flange BKL / BK - Lensed Black Cone and Flange SVL / SV - Lensed Silver Cone and Flange BZL / BZ* - Lensed Bronze Cone and Flange BZL / WH* - Lensed Bronze Cone, White Flange PWL / PW* - Lensed Perfect White Cone and Flange BKL / PW* - Lensed Black Cone, Perfect White Flange SVL / PW* - Lensed Silver Cone, Perfect White Flange BZL / PW* - Lensed Bronze Cone, Perfect White Flange
			25c 40c	30m - 3000K 35m - 3500K*  Dim-to-Warm (90 CRI) D27 - 2700K to 1800K	1200	

\*Consult factory for lead time and availability

Notes: Modules are black finish standard. Other finishes are available; consult factory for custom specification.

60c Beam Spread is achieved with 25c optic and WT trim accessories; not available for adjustable trims.

## YS3nc

### Y-SERIES | YM20 | 3-INCH SQUARE RECESSED DOWNLIGHT

PROJECT \_\_\_\_\_

TYPE \_\_\_\_\_

SPECIFICATION \_\_\_\_\_

#### UNIVERSAL HOUSING

##### TRIM WITH INTEGRAL FLANGE

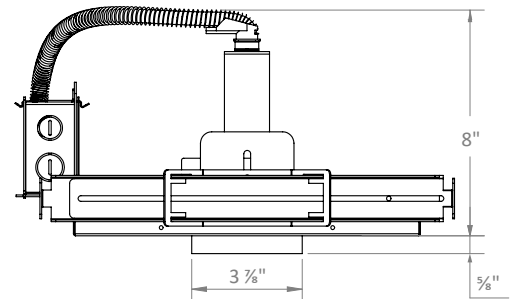
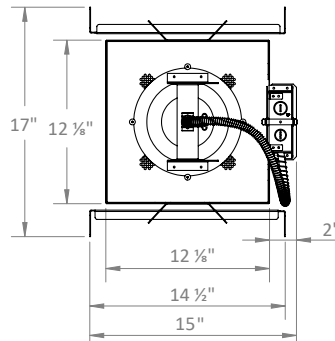
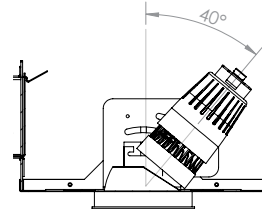
Fixture Height: 8"

Max Ceiling Thickness: 5/8" Standard; Other Options\*

Ceiling Cut-Out: 4" Square

Weight Without module: 7.15 lb

#### AIMING



#### FIXED HOUSING

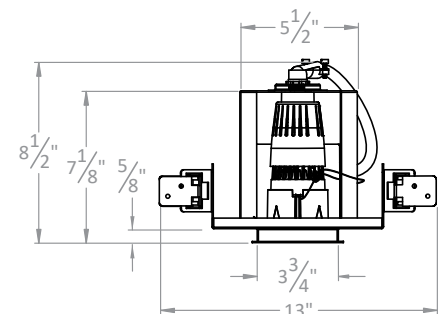
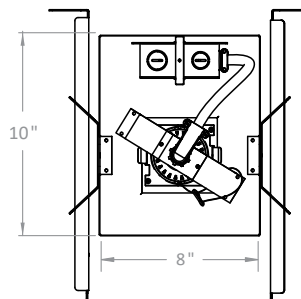
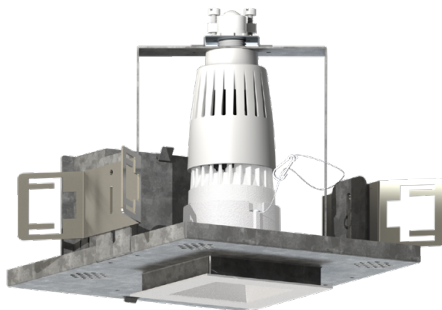
##### TRIM WITH INTEGRAL FLANGE

Fixture Height: 8"

Max Ceiling Thickness: 5/8" Standard; Other Options\*

Ceiling Cut-Out: 4" Square

Weight Without module: 6.9 lb



# YS3nc

## Y-SERIES | YM20 | 3-INCH SQUARE RECESSED DOWNLIGHT

PROJECT \_\_\_\_\_

TYPE \_\_\_\_\_

SPECIFICATION \_\_\_\_\_

PHOTOMETRIC DETAILS | baseline X output multiplier X cri-cct multiplier = final output

Ym20 COB OPTIC: Baseline data shown below for 19W, 1600 lumens, 80+ CRI , 3000K

### Ym20/10c/30K/750

Input Power: 11.2 W  
Lumens: 749 lm  
Efficacy: 67 lm/W  
CBCP: 11648  
Beam Angle: 10.6°  
Field Angle: 20.8°  
Spacing Criteria: 0.19

∠	0°	45°	90°
0°	11648	11648	11648
5°	6264	6089	5926
10°	1275	1202	1208
15°	502	487	477
20°	215	210	202
25°	97	96	93
30°	54	56	52
35°	35	34	31
40°	21	20	19
45°	10	9	10

### Ym20/15c/30K/1600

Input Power: 19.0 W  
Lumens: 1706 lm  
Efficacy: 90 lm/W  
CBCP: 15601  
Beam Angle: 15.7°  
Field Angle: 31.6°  
Spacing Criteria: 0.27

∠	0°	45°	90°
0°	15423	15423	15423
5°	13235	11552	10525
10°	5840	4430	3671
15°	1892	1636	1542
20°	868	718	645
25°	370	308	286
30°	187	156	155
35°	108	89	91
40°	80	75	71
45°	75	71	61

### Ym20/25c/30K/1600

Input Power: 19.1 W  
Lumens: 1669 lm  
Efficacy: 87 lm/W  
CBCP: 7248  
Beam Angle: 25.1°  
Field Angle: 46.5°  
Spacing Criteria: 0.45

∠	0°	45°	90°
0°	7244	7244	7244
5°	6459	6400	6436
10°	4534	4494	4597
15°	2531	2521	2627
20°	1138	1153	1225
25°	465	473	524
30°	208	210	241
35°	103	104	120
40°	50	51	58
45°	25	25	29

### Ym20/40c/30K/1600

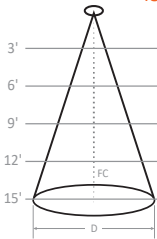
Input Power: 19.1 W  
Lumens: 1619 lm  
Efficacy: 123 lm/W  
CBCP: 3539  
Beam Angle: 36.2°  
Field Angle: 66.7°  
Spacing Criteria: 0.65

∠	0°	45°	90°
0°	3539	3539	3539
5°	3425	3421	3425
10°	2967	2964	2983
15°	2203	2205	2244
20°	1440	1448	1488
25°	850	855	890
30°	485	488	510
35°	271	269	283
40°	142	139	151
45°	73	72	79

### Ym20/60c/30K/1600

Input Power: 17.5 W  
Lumens: 1517 lm  
Efficacy: 87 lm/W  
CBCP: 1121  
Beam Angle: 53.3°  
Field Angle: 91.4°  
Spacing Criteria: 1.00

∠	0°	45°	90°
0°	1118	1118	1118
5°	1089	1085	1076
10°	1030	1018	997
15°	937	922	887
20°	799	770	737
25°	632	598	576
30°	460	431	414
35°	308	287	279
40°	201	187	180
45°	126	117	108



3'	0.56' D; 906 FC
6'	1.11' D; 227 FC
9'	1.67' D; 101 FC
12'	2.23' D; 57 FC
15'	2.78' D; 36 FC

3'	0.82' D; 1200 FC
6'	1.65' D; 300 FC
9'	2.47' D; 133 FC
12'	3.30' D; 75 FC
15'	4.12' D; 48 FC

3'	1.34' D; 563 FC
6'	2.67' D; 141 FC
9'	4.01' D; 63 FC
12'	5.34' D; 350 FC
15'	6.68' D; 23 FC

3'	1.96' D; 275 FC
6'	3.92' D; 69 FC
9'	5.88' D; 31 FC
12'	7.84' D; 17 FC
15'	9.81' D; 11 FC

3'	3.01' D; 87 FC
6'	6.02' D; 22 FC
9'	9.03' D; 10 FC
12'	12.04' D; 5 FC
15'	15.06' D; 4 FC

### CRI-CCT MULTIPLIER

CRI	CCT	Multiplier	CRI	CCT	Multiplier
8 (80+)	2200K	0.86	H (97+)	2700K	0.66
	2500K	0.91		3000K	0.71
	2700K	0.96		3500K	0.75
	3000K	1.00		4000K	0.77
	3500K	1.03	M (MonoWhite)	3000K	0.86
4000K	1.05	3500K		0.88	
9 (90+)	2200K			0.70	
	2500K			0.77	
	2700K			0.83	
	3000K	0.86			
3500K	0.89				
4000K	0.91				

### OUTPUT MULTIPLIER

Package	Optic	Multiplier
13W 1000 lm Ym20 COB-optic	15°	0.65
	25°	0.65
	40°	0.65
	60°	0.64

# YS3nc

## Y-SERIES | YM20 | 3-INCH SQUARE RECESSED DOWNLIGHT

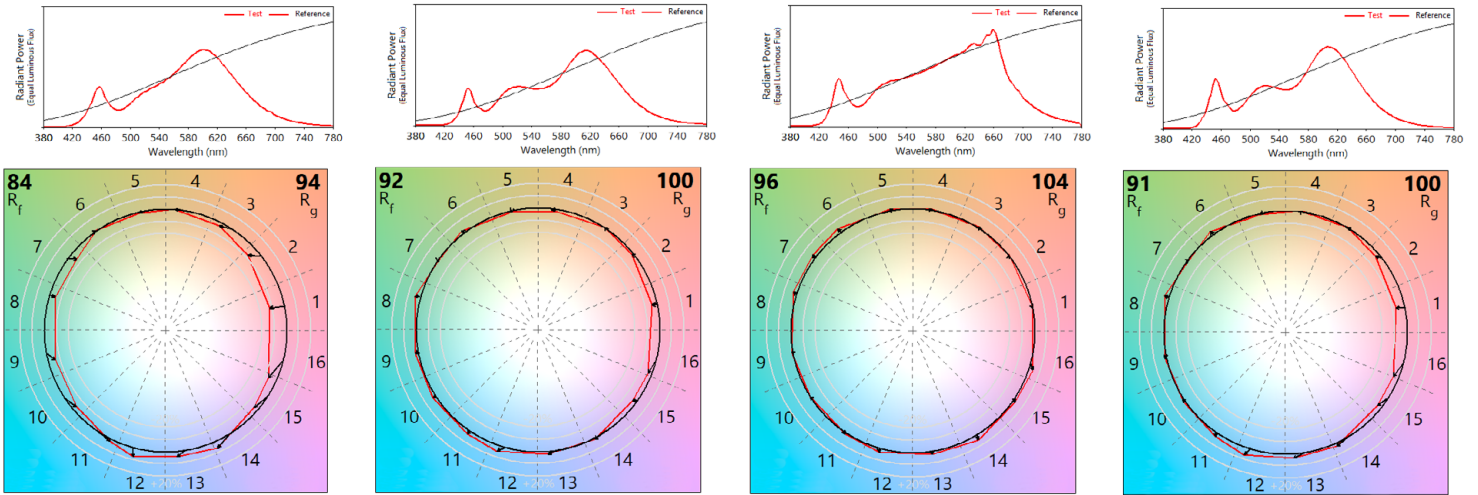
PROJECT \_\_\_\_\_

TYPE \_\_\_\_\_

SPECIFICATION \_\_\_\_\_

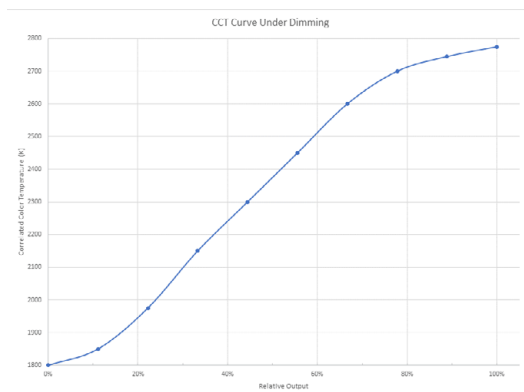
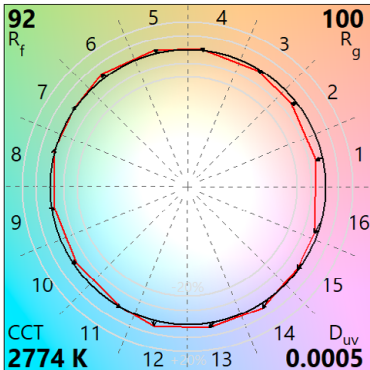
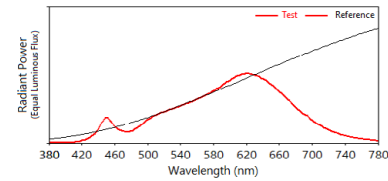
### TM30 COLOR REPORTS

- 3000K with 80+ CRI
  - $R_f = 84$ ;  $R_g = 94$
  - $R_A = 82$ ;  $R_9 = 11$
- 3000K with 90+ CRI
  - $R_f = 92$ ;  $R_g = 100$
  - $R_A = 93$ ;  $R_9 = 56$
- 3000K with 97+ CRI
  - $R_f = 96$ ;  $R_g = 104$
  - $R_A = 97$ ;  $R_9 = 98$
- 3000K with MonoWhite
  - $R_f = 91$ ;  $R_g = 100$
  - $R_A = 91$ ;  $R_9 = 42$



### DIM TO WARM DETAILS | Dim to warm only available with 25° and 40° beam spreads; 90+CRI

- 2700K to 1800K with 90+ CRI
  - $R_f = 92$ ;  $R_g = 100$
  - $R_A = 93$ ;  $R_9 = 57$



#### Ym20/25c/30K/1000

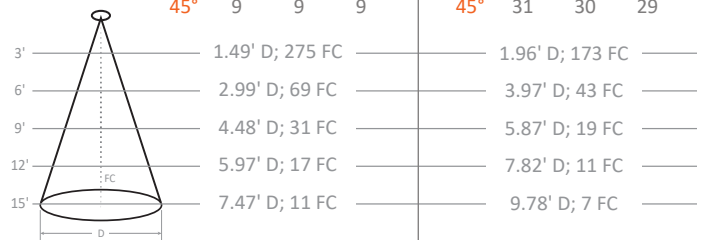
Input Power: 15.7 W  
Lumens: 1012 lm  
Efficacy: 65 lm/W  
CBCP: 3537  
Beam Angle: 28.0°  
Field Angle: 53.4°  
Spacing Criteria: 0.50

∠	0°	45°	90°
0°	3530	3530	3530
5°	3328	3305	3281
10°	2575	2546	2499
15°	1630	1619	1592
20°	894	890	874
25°	441	435	433
30°	222	216	217
35°	106	102	100
40°	43	40	40
45°	9	9	9

#### Ym20/40c/30K/1000

Input Power: 15.6 W  
Lumens: 967 lm  
Efficacy: 62 lm/W  
CBCP: 2231  
Beam Angle: 36.1°  
Field Angle: 65.0°  
Spacing Criteria: 0.65

∠	0°	45°	90°
0°	2225	2225	2225
5°	2148	2142	2128
10°	1880	1850	1824
15°	1434	1394	1366
20°	953	920	896
25°	563	540	527
30°	310	296	290
35°	157	152	149
40°	75	72	70
45°	31	30	29



**WARNING:** Not for use in fully enclosed luminaires. Risk of electric shock. Use in an indoor, dry location only. This device is not intended for use with emergency exit fixtures or emergency exit lights. May not be compatible with all dimmers; please visit [solais.com/dimming](http://solais.com/dimming) for up-to-date dimmer compatibility information.

**NOTES:** This device complies with Part 15 of the FCC Rule. This product may cause interference with other devices. If interference occurs, change the locations of the products involved. **Compatible on 120v systems.**