

YR4nc

Y-SERIES | YM24 | 4-INCH ROUND RECESSED DOWNLIGHT



PROJECT _____

TYPE _____

SPECIFICATION _____

- 120V standard
- 0-10 V, Triac and ELV dimming
- Fixed housing for downlight and pinhole; Universal housing for adjustable and wall wash options
- Internally adjustable with dual locking; 360° rotation and 40° aiming
- Modular individually specifiable optics
- Emergency backup available*
- Passively cooled fixtures
- Dry location rating. Suitable for wet locations in covered ceiling mount area only; where water exposure happens beneath the mounting location (with lensed trim only)
- Designed for new construction ceiling installation
- Non-IC rated; insulation must be kept 3" from sides and 1" above housing
- *MonoWhite color rendering enhancements available
- *90+ High CRI available.
- To order, replace 'K' in CCT designation with 'h' in ordering code.



Ordering Information

Example: YR4nc/D/Ym24/25/30K/2000/BK/WH

Fixture	Type	Module	Beam Spread	CCT	Lumens	Options + Module Accessories
YR4nc	D - Downlight A - Adjustable P - Pinhole (downlight and die-cast with flange only) WW - Lensed Wall Wash (die-cast with flange only)	Ym24	COB-optic 15c 25c 40c 60c	25K* 27K 30K 30m* 35K* 35m* 40K*	1400 1700 2200	HL - Honeycomb Louver SL - Linear Spread SP - Prismatic Spread More Accessories Available Fixture Options EM - Emergency Backup
Trim Finish (Cone / Flange) Die-cast, Powder Coated WH / WH - White Cone and Flange BK / WH - Black Cone, White Flange SV / WH - Silver Cone, White Flange BK / BK - Black Cone and Flange SV / SV - Silver Cone and Flange BZ / BZ* - Bronze Cone and Flange BZ / WH* - Bronze Cone, White Flange PW / PW* - Perfect White Cone and Flange BK / PW* - Black Cone, Perfect White Flange SV / PW* - Silver Cone, Perfect White Flange BZ / PW* - Bronze Cone, Perfect White Flange Lensed Die-cast, Powder Coated (downlight only - polycarbonate soft diffusion lens) WHL / WH - Lensed White Cone and Flange BK / WH - Lensed Black Cone, White Flange SVL / WH - Lensed Silver Cone, White Flange BK / BK - Lensed Black Cone and Flange SVL / SV - Lensed Silver Cone and Flange BZL / BZ* - Lensed Bronze Cone and Flange BZL / WH* - Lensed Bronze Cone, White Flange PWL / PW* - Lensed White Cone and Flange BK / PW* - Lensed Black Cone, White Flange SVL / PW* - Lensed Silver Cone, White Flange BZL / PW* - Lensed Bronze Cone, White Flange Spun Aluminum (downlight only - polycarbonate soft diffusion lens) CL / CL - Clear Specular Cone and Flange SD / SD - Clear Semi-diffuse Cone and Flange CL / WH - Clear Specular Cone, White Flange SD / WH - Clear Semi-diffuse Cone, White Flange CB / CB - Black Specular Cone and Flange DB / DB - Black Semi-diffuse Cone and Flange CB / WH - Black Specular Cone, White Flange DB / WH - Black Semi-diffuse Cone, White Flange CG / CG - Gold Specular Cone and Flange DG / DG - Gold Semi-diffuse Cone and Flange CG / WH - Gold Specular Cone, White Flange DG / WH - Gold Semi-diffuse Cone, White Flange CL / PW* - Clear Specular Cone, Perfect White Flange SD / PW* - Clear Semi-diffuse Cone, Perfect White Flange CB / PW* - Black Specular Cone, Perfect White Flange DB / PW* - Black Semi-diffuse Cone, Perfect White Flange CG / PW* - Gold Specular Cone, Perfect White Flange DG / PW* - Gold Semi-diffuse Cone, Perfect White Flange						

*Consult factory for lead time and availability

Note: Modules are black finish standard. Other finishes are available; consult factory for custom specification.

60c Beam Spread is achieved with 25c optic and WT trim accessories; not available for adjustable trims.



YR4nc

Y-SERIES | YM24 | 4-INCH
ROUND RECESSED DOWNLIGHT

PROJECT _____

TYPE _____

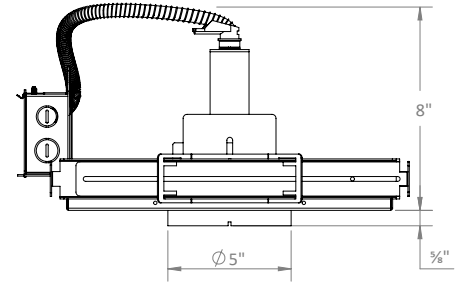
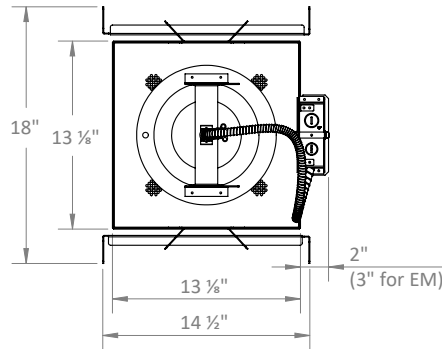
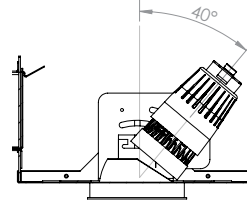
SPECIFICATION _____

▪ UNIVERSAL HOUSING

▪ TRIM WITH INTEGRAL FLANGE

Fixture Height: 8"
Max Ceiling Thickness: 5/8" Standard; Other Options*
Ceiling Cut-Out: 5 1/8" Diameter
Weight without module: 7.41 lb

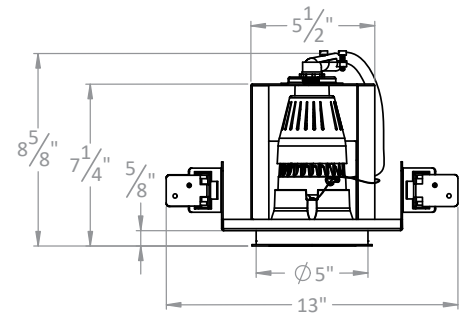
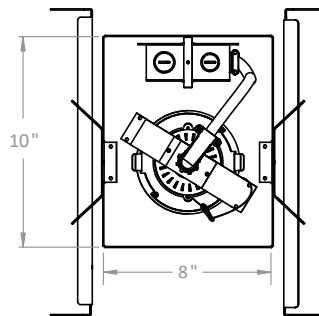
▪ AIMING



▪ FIXED HOUSING

▪ TRIM WITH INTEGRAL FLANGE

Fixture Height: 8"
Max Ceiling Thickness: 5/8" Standard; Other Options*
Ceiling Cut-Out: 5 1/8" Diameter
Weight without module: 7 lb



YR4nc

Y-SERIES | YM24 | 4-INCH ROUND RECESSED DOWNLIGHT

PROJECT _____

TYPE _____

SPECIFICATION _____

PHOTOMETRIC DETAILS | baseline X output multiplier X cri-cct multiplier = final output

Ym24 COB OPTIC: Baseline data for 25 W, 2200 lumens, 80+ CRI, 3000K

Ym24/15c/30K/2200

Input Power:	26.3 W
Lumens:	1906 lm
Efficacy:	72.6 lm/W
Beam Angle:	18.6°
Field Angle:	47.9°

∠	0°	45°	90°
0°	8373	8373	8373
5°	6746	6815	6805
10°	3908	3891	3745
15°	2018	1992	1859
20°	1223	1201	1119
25°	834	812	742
30°	588	568	507
35°	411	397	342
40°	286	277	229
45°	195	190	153

Ym24/25c/30K/2200

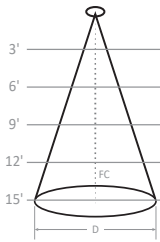
Input Power:	25.4 W
Lumens:	2382 lm
Efficacy:	93.8 lm/W
Beam Angle:	23.5°
Field Angle:	60.7°

∠	0°	45°	90°
0°	7024	7024	7024
5°	6234	6172	6059
10°	4289	4284	4155
15°	2490	2574	2487
20°	1484	1565	1552
25°	996	1039	1051
30°	713	744	762
35°	516	541	562
40°	378	399	418
45°	279	295	312

Ym24/40c/30K/2200

Input Power:	25.4 W
Lumens:	2146 lm
Efficacy:	84.5 lm/W
Beam Angle:	38.7°
Field Angle:	86.6°

∠	0°	45°	90°
0°	3223	3223	3223
5°	3082	3084	3072
10°	2677	2673	2654
15°	2131	2122	2099
20°	1574	1568	1554
25°	1109	1111	1104
30°	771	780	780
35°	543	555	561
40°	393	404	412
45°	290	299	307



3'	0.56' D; 651 FC	1.25' D; 546 FC	2.10' D; 251 FC
6'	1.11' D; 163 FC	2.50' D; 137 FC	4.21' D; 63 FC
9'	1.67' D; 72 FC	3.74' D; 61 FC	6.31' D; 28 FC
12'	2.23' D; 41 FC	4.99' D; 34 FC	8.42' D; 16 FC
15'	2.78' D; 26 FC	6.24' D; 22 FC	10.52' D; 10 FC

CRI-CCT MULTIPLIER

CRI	CCT	Multiplier	CRI	CCT	Multiplier
8 (80+)	2200K	0.86	H (97+)	2700K	0.66
	2500K	0.91		3000K	0.71
	2700K	0.96		3500K	0.75
	3000K	1.00		4000K	0.77
	3500K	1.03	M (MonoWhite)	3000K	0.86
	4000K	1.05		3500K	0.88
9 (90+)	2200K	0.70			
	2500K	0.77			
	2700K	0.83			
	3000K	0.86			
3500K	0.89				
4000K	0.91				

OUTPUT MULTIPLIER

Package	Optic	Multiplier
18 W 1700 lm Y24 COB	15°	0.86
	25°	0.74
	40°	0.74
14 W 1400 lm Y24 COB	15°	0.70
	25°	0.60
	40°	0.60

YR4nc

Y-SERIES | YM24 | 4-INCH ROUND RECESSED DOWNLIGHT

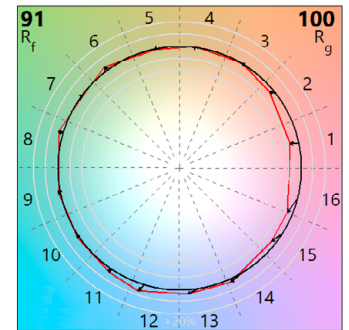
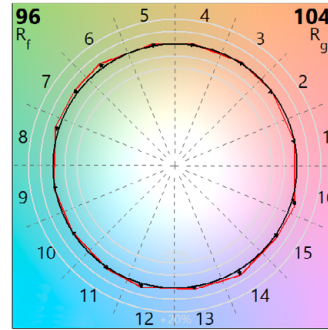
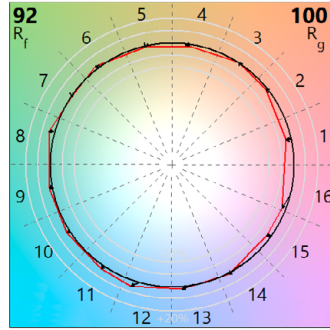
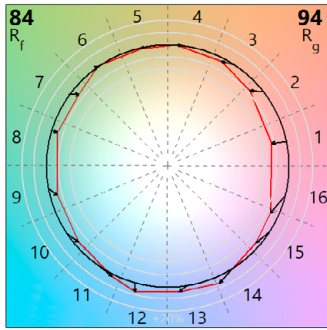
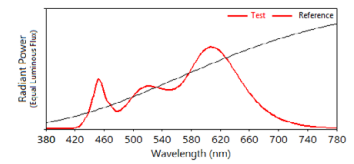
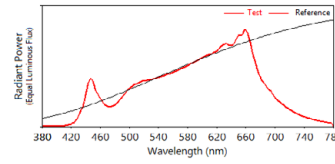
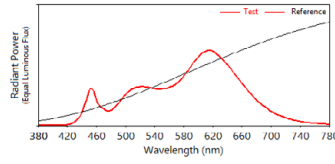
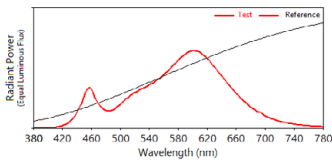
PROJECT _____

TYPE _____

SPECIFICATION _____

TM30 COLOR REPORTS

- 3000K with 80+ CRI
 - $R_f = 84$; $R_g = 94$
 - $R_A = 82$; $R_9 = 11$
- 3000K with 90+ CRI
 - $R_f = 92$; $R_g = 100$
 - $R_A = 93$; $R_9 = 56$
- 3000K with 97+ CRI
 - $R_f = 96$; $R_g = 104$
 - $R_A = 97$; $R_9 = 98$
- 3000K with MonoWhite
 - $R_f = 91$; $R_g = 100$
 - $R_A = 91$; $R_9 = 42$



Luxiance utilizes active cooling to remove heat from the LED system - allowing Solais LED lamps to operate cooler, resulting in superior life, light output, and performance.



Thermal Throttle – In the event that Solais products begin to overheat, they will undetectably dim themselves to protect your technology investments.

WARNING: Not for use in fully enclosed luminaires. Risk of electric shock. Use in an indoor, dry location only. This device is not intended for use with emergency exit fixtures or emergency exit lights. May not be compatible with all dimmers; please visit solais.com/dimming for up-to-date dimmer compatibility information.

NOTES: This device complies with Part 15 of the FCC Rule. This product may cause interference with other devices. If interference occurs, change the locations of the products involved. **Compatible on 120v systems.**



X-Changeable is our all-in-one technology that incorporates the optics, LEDs, driver and power within a replaceable module. This allows you to change the lumen output, color temperature, beam angle and trim color with ease.