

YPD Pendant

Y-SERIES | YM24

3-STEP PULL-DOWN MULTIPLES

SOLAIS®

PROJECT _____

TYPE _____

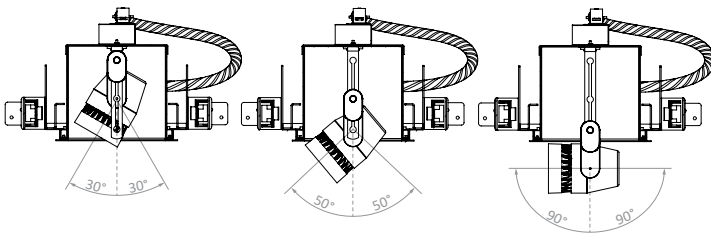
SPECIFICATION _____

- 120 - 277 V standard
- 0-10, TRIAC and ELV dimming
- Emergency backup available*
- Passively cooled fixtures
- 3 self-locking aiming height positions
- 0-90° vertical tilt; 360° rotation
- Modular individually specifiable optics
- 50,000 hours (L70)
- RoHS-compliant
- Certified to UL standards for dry locations
- Rated for IC and non-IC use
- Designed for new construction ceilings only
- *MonoWhite color rendering enhancements available
- *90+ High CRI available.
To order, replace 'K' in CCT designation with 'h' in ordering code.
- Aiming

Position 1

Position 2

Position 3



*Consult factory for lead time and availability

YPD11 Pendant

Y-SERIES | YM24 | 1-HEAD
3-STEP PULL-DOWN MULTIPLES

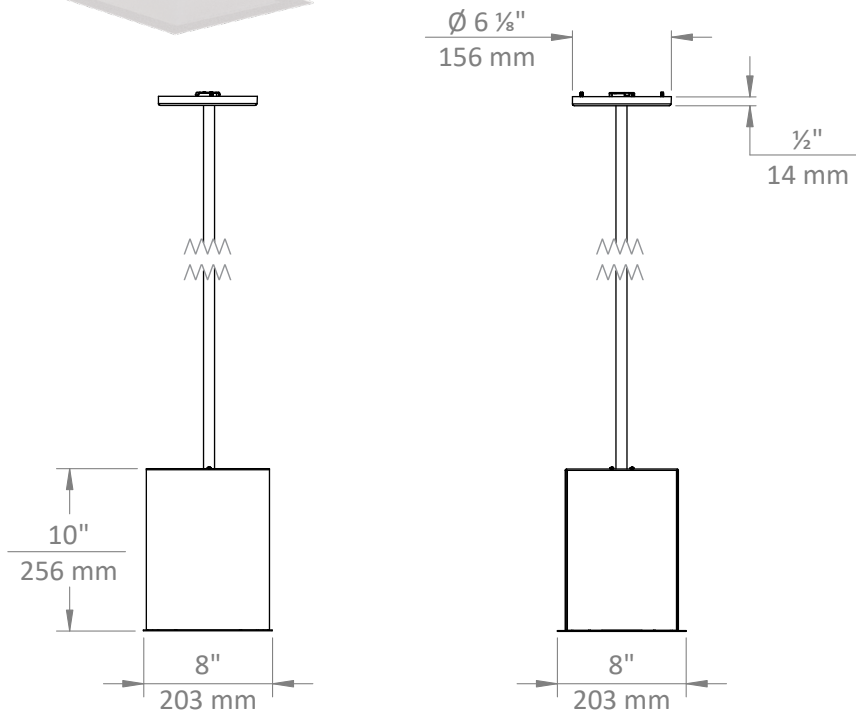
PROJECT _____

TYPE _____

SPECIFICATION _____



Ordering Information				Example: YPD11/Ym24/25c/30K/1400/WH/WH/ST/SL			
Fixture YPD11	Module Ym24	Beam Spread COB 15c 25c 40c 60c	CCT 22K - 2200K* 25K - 2500K* 27K - 2700K 30K - 3000K 35K - 3500K* 40K - 4000K*	Lumens 1400 1700 2200		Mounting ST - Stem Mount	Options + Accessories Module Options TS - Tapered Snoot HL - Honeycomb Louver SL - Linear Spread SP - Prismatic Spread More Accessories Available Fixture Options EM - Emergency Backup
			<i>MonoWhite (90 CRI)</i> 30m - 3000K 35m - 3500K*			Finish Die-cast, Powder Coated WH / WH - White Module, Interior + Flange BK / BK - Black Module, Interior + Flange BK / WH* - Black Module + Interior, White Flange PW / PW* - Perfect White Module, Interior + Flange BK / PW* - Black Module + Interior, Perfect White Flange	



*Consult factory for lead time and availability

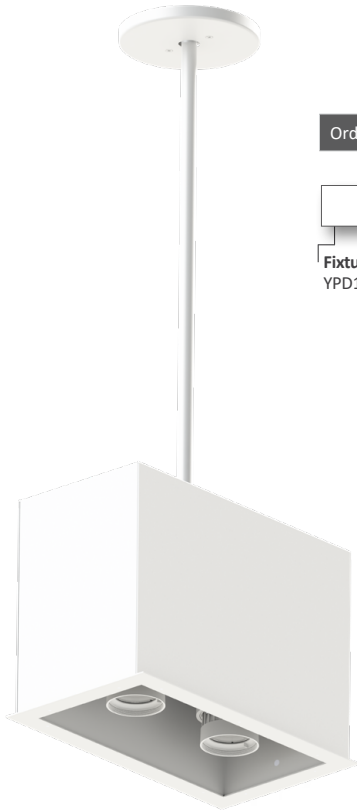
YPD12 Pendant

Y-SERIES | YM24 | 2-HEAD
3-STEP PULL-DOWN MULTIPLES

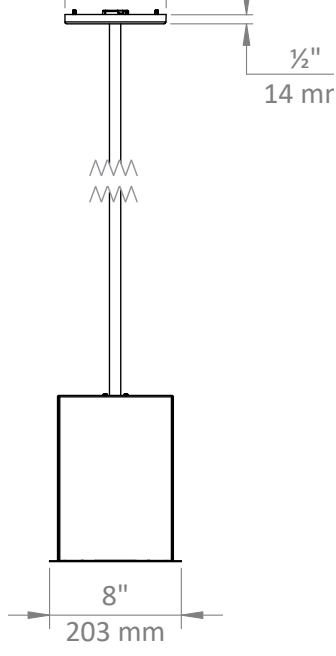
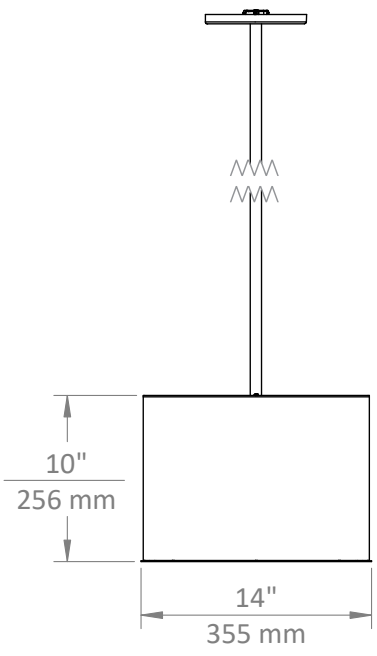
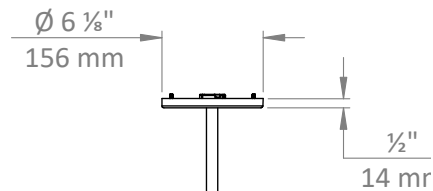
PROJECT _____

TYPE _____

SPECIFICATION _____



Ordering Information				Example: YPD12/Ym24/25m-25m/30K/1400/WH/WH/ST/SL-SL			
Fixture	Module	Beam Spread	CCT	Lumens	Mounting	Options + Accessories	
YPD12	Ym24	COB	22K - 2200K*	1400	ST - Stem Mount	Module Options	
		15c	25K - 2500K*	1700		TS - Tapered Snoot	
		25c	27K - 2700K	2200		HL - Honeycomb Louver	
		40c	30K - 3000K			SL - Linear Spread	
		60c	35K - 3500K*			SP - Prismatic Spread	
			40K - 4000K*			More Accessories Available	
			<i>MonoWhite (90 CRI)</i>			Fixture Options	
			30m - 3000K			EM - Emergency Backup	
			35m - 3500K*				
					Finish		
					Die-cast, Powder Coated		
					WH / WH - White Module, Interior + Flange		
					BK / BK - Black Module, Interior + Flange		
					BK / WH* - Black Module + Interior, White Flange		
					PW / PW* - Perfect White Module, Interior + Flange		
					BK / PW* - Black Module + Interior, Perfect White Flange		



*Consult factory for lead time and availability

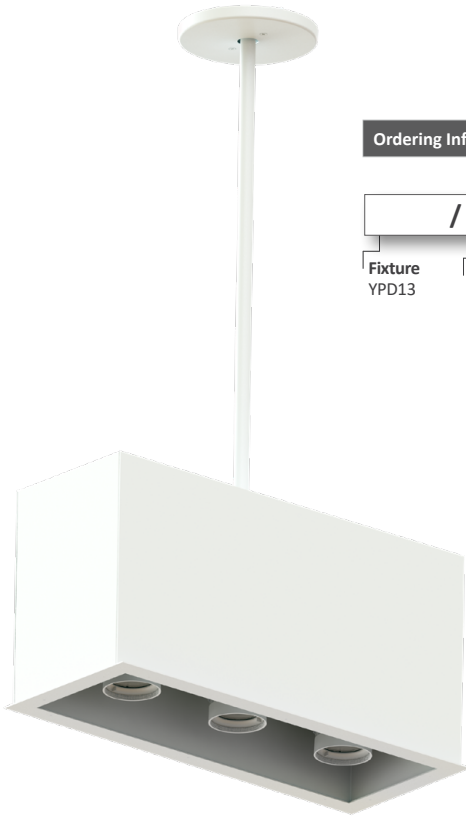
YPD13

Y-SERIES | YM24 | 3-HEAD 3-STEP PULL-DOWN MULTIPLES

PROJECT _____

TYPE _____

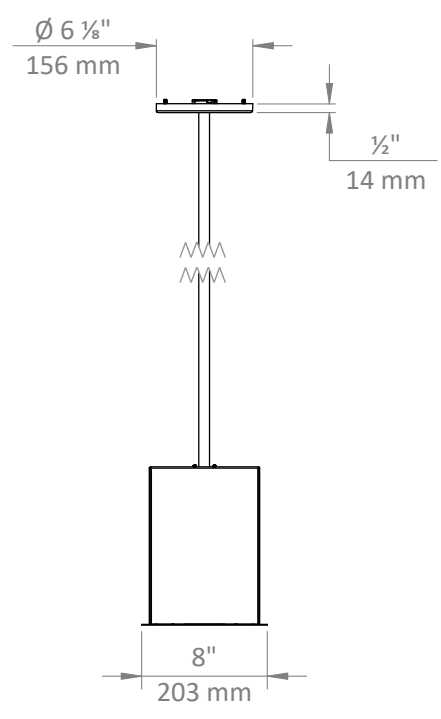
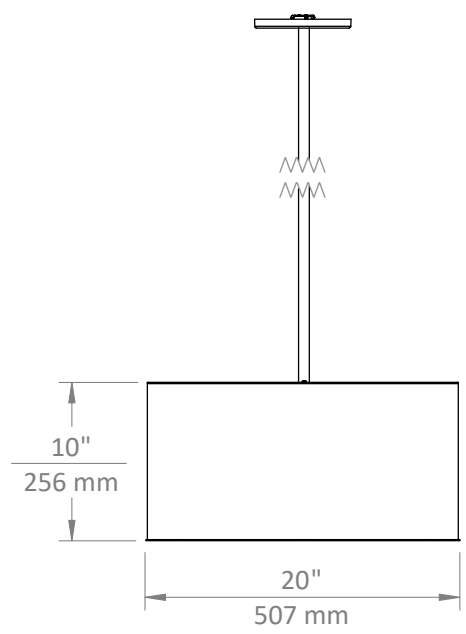
SPECIFICATION _____



Ordering Information Example: YPD13/Ym24/25c-25c-25c/30K/1400/WH/WH/ST/SL-SL-SL



Fixture YPD13	Module Ym24	Beam Spread	CCT	Lumens	Mounting	Options + Accessories
		COB	22K - 2200K*	1400	ST - Stem Mount	Module Options
		15c	25K - 2500K*	1700		TS - Tapered Snoot
		25c	27K - 2700K	2200		HL - Honeycomb Louver
		40c	30K - 3000K			SL - Linear Spread
		60c	35K - 3500K*			SP - Prismatic Spread
			40K - 4000K*			More Accessories Available
			<i>MonoWhite (90 CRI)</i>			Fixture Options
			30m - 3000K			EM - Emergency Backup
			35m - 3500K*			
					Finish	
					Die-cast, Powder Coated	
					WH / WH - White Module, Interior + Flange	
					BK / BK - Black Module, Interior + Flange	
					BK / WH* - Black Module + Interior, White Flange	
					PW / PW* - Perfect White Module, Interior + Flange	
					BK / PW* - Black Module + Interior, Perfect White Flange	



*Consult factory for lead time and availability

PHOTOMETRIC DETAILS | baseline X output multiplier X cri-cct multiplier = final output

Ym24 COB OPTIC: Baseline data for 25 W, 2200 lumens, 80+ CRI, 3000K

Ym24/10c/30K/750

Input Power: 11.2 W
Lumens: 749 lm
Efficacy: 67 lm/W
CBCP: 11648
Beam Angle: 10.6°
Field Angle: 20.8°
Spacing Criteria: 0.19

∠	0°	45°	90°
0°	11648	11648	11648
5°	6264	6089	5926
10°	1275	1202	1208
15°	502	487	477
20°	215	210	202
25°	97	96	93
30°	54	56	52
35°	35	34	31
40°	21	20	19
45°	10	9	10

Ym24/15c/30K/1400

Input Power: 19.0 W
Lumens: 1706 lm
Efficacy: 90 lm/W
CBCP: 15601
Beam Angle: 15.7°
Field Angle: 31.6°
Spacing Criteria: 0.27

∠	0°	45°	90°
0°	15423	15423	15423
5°	13235	11552	10525
10°	5840	4430	3671
15°	1892	1636	1542
20°	868	718	645
25°	370	308	286
30°	187	156	155
35°	108	89	91
40°	80	75	71
45°	75	71	61

Ym24/25c/30K/1400

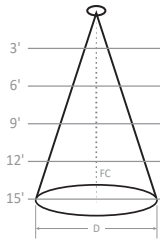
Input Power: 19.1 W
Lumens: 1669 lm
Efficacy: 87 lm/W
CBCP: 7248
Beam Angle: 25.1°
Field Angle: 46.5°
Spacing Criteria: 0.45

∠	0°	45°	90°
0°	7244	7244	7244
5°	6459	6400	6436
10°	4534	4494	4597
15°	2531	2521	2627
20°	1138	1153	1225
25°	465	473	524
30°	208	210	241
35°	103	104	120
40°	50	51	58
45°	25	25	29

Ym24/40c/30K/1400

Input Power: 19.1 W
Lumens: 1619 lm
Efficacy: 85 lm/W
CBCP: 3539
Beam Angle: 36.2°
Field Angle: 66.7°
Spacing Criteria: 0.65

∠	0°	45°	90°
0°	3539	3539	3539
5°	3425	3421	3425
10°	2967	2964	2983
15°	2203	2205	2244
20°	1440	1448	1488
25°	850	855	890
30°	485	488	510
35°	271	269	283
40°	142	139	151
45°	73	72	79



Height	Ym24/10c/30K/750	Ym24/15c/30K/1400	Ym24/25c/30K/1400	Ym24/40c/30K/1400
3'	0.56' D; 906 FC	0.82' D; 1200 FC	1.34' D; 563 FC	1.96' D; 275 FC
6'	1.11' D; 227 FC	1.65' D; 300 FC	2.67' D; 141 FC	3.92' D; 69 FC
9'	1.67' D; 101 FC	2.47' D; 133 FC	4.01' D; 63 FC	5.88' D; 31 FC
12'	2.23' D; 57 FC	3.30' D; 75 FC	5.34' D; 350 FC	7.84' D; 17 FC
15'	2.78' D; 36 FC	4.12' D; 48 FC	6.68' D; 23 FC	9.81' D; 11 FC

CRI-CCT MULTIPLIER

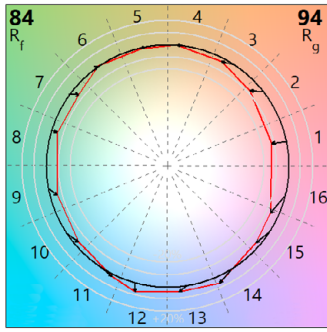
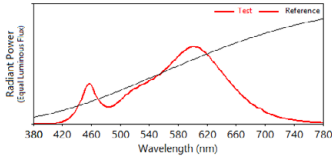
CRI	CCT	Multiplier	CRI	CCT	Multiplier
8 (80+)	2200K	0.86	H (97+)	2700K	0.66
	2500K	0.91		3000K	0.71
	2700K	0.96		3500K	0.75
	3000K	1.00		4000K	0.77
	3500K	1.03	M (MonoWhite)	3000K	0.86
	4000K	1.05		3500K	0.88
9 (90+)	2200K	0.70			
	2500K	0.77			
	2700K	0.83			
	3000K	0.86			
	3500K	0.89			
	4000K	0.91			

OUTPUT MULTIPLIER

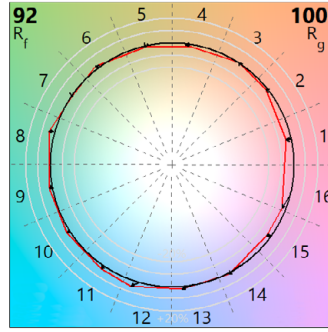
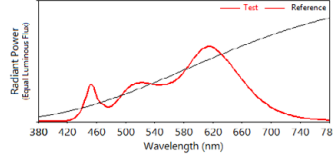
Package	Optic	Multiplier
13 W 1000 lm Ym24 COB-optic	15°	0.65
	25°	0.65
	40°	0.65

TM30 COLOR REPORTS

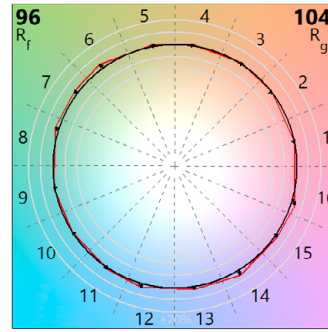
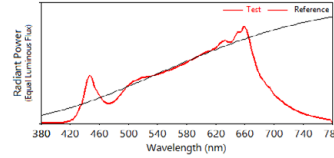
- 3000K with 80+ CRI
- $R_f = 84$; $R_g = 94$
- $R_A = 82$; $R_g = 11$



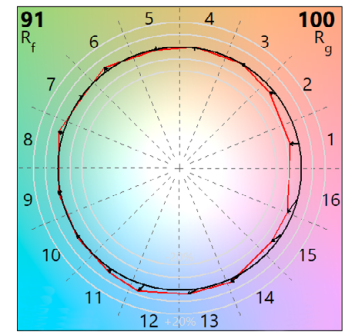
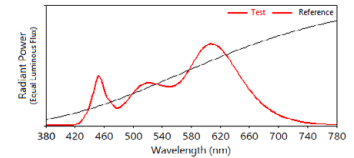
- 3000K with 90+ CRI
- $R_f = 92$; $R_g = 100$
- $R_A = 93$; $R_g = 56$



- 3000K with 97+ CRI
- $R_f = 96$; $R_g = 104$
- $R_A = 97$; $R_g = 98$



- 3000K with MonoWhite
- $R_f = 91$; $R_g = 100$
- $R_A = 91$; $R_g = 42$



WARNING: Not for use in fully enclosed luminaires. Risk of electric shock. Use in an indoor, dry location only. This device is not intended for use with emergency exit fixtures or emergency exit lights. May not be compatible with all dimmers; please visit solais.com/dimming for up-to-date dimmer compatibility information.

NOTES: This device complies with Part 15 of the FCC Rule. This product may cause interference with other devices. If interference occurs, change the locations of the products involved. **Compatible on 120v systems.**



LUXIANCE®

Luxiance utilizes active cooling to remove heat from the LED system - allowing Solais LED lamps to operate cooler, resulting in superior life, light output, and performance.



X-CHANGEABLE

X-Changeable is our all-in-one technology that incorporates the optics, LEDs, driver and power within a replaceable module. This allows you to change the lumen output, color temperature, beam angle and trim color with ease.



THEROTTLE

Thermal Throttle – In the event that Solais products begin to overheat, they will undetectably dim themselves to protect your technology investments.



VIOLIGHT™

ViOLight radiates superior quality, enhancing colors in merchandise, making colors more vibrant and offering a truly competitive LED replacement for CMH-like crispness.