

# YC5

## Y-SERIES | 5-INCH CYLINDER LUMINAIRE FIXTURE

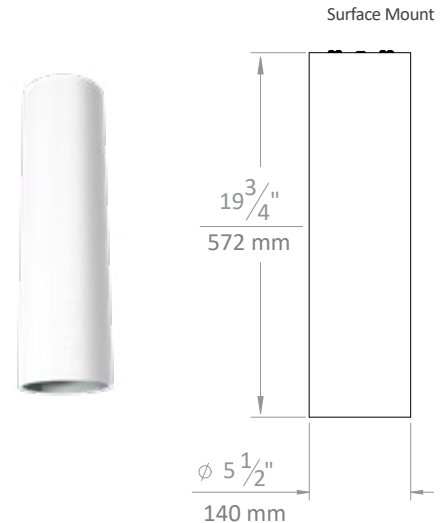
# SOLAIS®

PROJECT \_\_\_\_\_

TYPE \_\_\_\_\_

SPECIFICATION \_\_\_\_\_

- 120 V - 277 V universal input
  - 0-10 V, TRIAC and MLV dimming
  - Emergency battery backup available
  - Field-replaceable LED module; no tools needed
  - Extruded aluminum housing
  - Stem mount comes with a 24" field-adjustable stem standard
  - Cable mount comes with a 72" field-adjustable cable standard
  - Designed to mount to a standard 4" x 4" J-box
  - 50,000 hours (L70)
  - RoHs-compliant
  - UL Certified for dry locations
  - Contain no lead or mercury
  - \*MonoWhite color rendering enhancements available; (90 CRI standard)
  - \*90+ High CRI available.
- To order, replace 'K' in CCT designation with 'h' in code below.



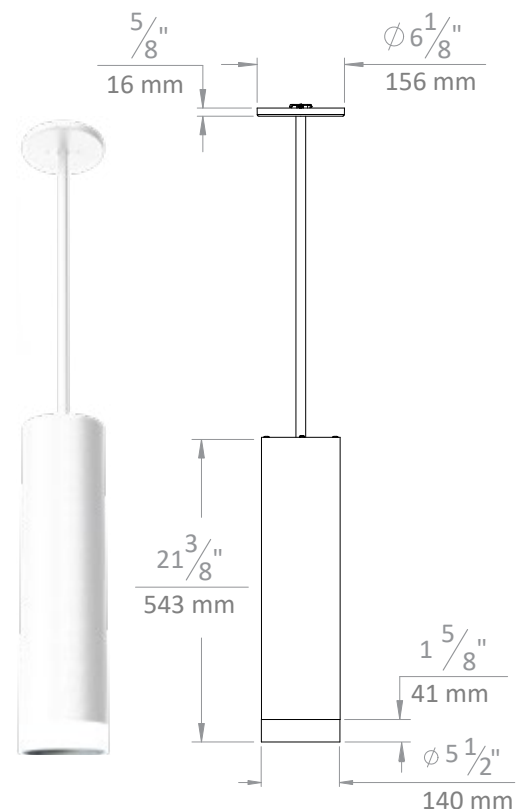
### Ordering Information

Example: YC5/Ym24/40/30K/1500/FA/PW/ST/EM

Fixture	Module	Beam Spread	CCT	Lumens	Exterior Finish	Options + Accessories
YC5	Ym24	COB-optic	25K*	1400	BK - Black	Module Options
		15c	27K	1700	SV - Silver	HL - Honeycomb Louver
		25c	30K	2200	PW - Perfect White	SL - Linear Spread
		40c	30m*			SP - Prismatic Spread
		60c	35K*			More Accessories Available
			35m*			Fixture Options
			40K*			EM - Emergency Backup
						Microinverter*
					<b>Cone Finish</b>	
					Spun Aluminum	
					CL - Clear Specular	
					SD - Clear Semi-diffuse	
					CG* - Gold Specular	
					DG* - Gold Semi-diffuse	
					CB* - Black Specular	
					DB* - Black Semi-diffuse	
					FA - SD with frosted acrylic element	
					Lensed Spun Aluminum	
					(polycarbonate soft diffusion lens)	
					CLL - Lensed Clear Specular	
					SDL - Lensed Clear Semi-diffuse	
					CGL* - Lensed Gold Specular	
					DGL* - Lensed Gold Semi-diffuse	
					CBL* - Lensed Black Specular	
					DBL* - Lensed Black Semi-diffuse	
					FAL - SDL with frosted acrylic element	
					CLW - Wide Lensed Clear Specular	
					SDW - Wide Lensed Clear Semi-diffuse	
					CGW* - Wide Lensed Gold Specular	
					DGW* - Wide Lensed Gold Semi-diffuse	
					CBW* - Wide Lensed Black Specular	
					DBW* - Wide Lensed Black Semi-diffuse	
					FAW - SDW with frosted acrylic element	
					<b>Mounting Options</b>	
					ST - 24" Stem Mount	
					ST4* - 48" Stem Mount	
					ST6* - 72" Stem Mount	
					CB - 72" Cable Mount	
					CB20* - 240" Cable Mount	
					SM - Surface Mount	

Note: Wide lens available with 25c optic to create a 60c beam spread

Stem Mount with Frosted Acrylic Element



# YC5

## Y-SERIES | 5-INCH CYLINDER LUMINAIRE FIXTURE

PROJECT \_\_\_\_\_

TYPE \_\_\_\_\_

SPECIFICATION \_\_\_\_\_

PHOTOMETRIC DETAILS | baseline X output multiplier X cri-cct multiplier = final output

Ym24 COB OPTIC: Baseline data for 25 W, 2200 lumens, 80+ CRI, 3000K

### Ym24/15c/30K/2200

Input Power: 26.3 W  
Lumens: 1906 lm  
Efficacy: 72.6 lm/W  
CBCP: 7215  
Beam Angle: 18.6°  
Field Angle: 47.9°

∠	0°	45°	90°
0°	8373	8373	8373
5°	6746	6815	6805
10°	3908	3891	3745
15°	2018	1992	1859
20°	1223	1201	1119
25°	834	812	742
30°	588	568	507
35°	411	397	342
40°	286	277	229
45°	195	190	153

### Ym24/25c/30K/2200

Input Power: 25.4 W  
Lumens: 2382 lm  
Efficacy: 93.8 lm/W  
CBCP: 7024  
Beam Angle: 23.5°  
Field Angle: 60.7°

∠	0°	45°	90°
0°	7024	7024	7024
5°	6234	6172	6059
10°	4289	4284	4155
15°	2490	2574	2487
20°	1484	1565	1552
25°	996	1039	1051
30°	713	744	762
35°	516	541	562
40°	378	399	418
45°	279	295	312

### Ym24/40c/30K/2200

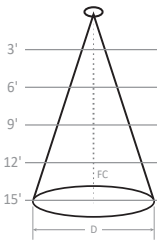
Input Power: 25.4 W  
Lumens: 2146 lm  
Efficacy: 84.5 lm/W  
CBCP: 3223  
Beam Angle: 38.7°  
Field Angle: 86.6°

∠	0°	45°	90°
0°	3223	3223	3223
5°	3082	3084	3072
10°	2677	2673	2654
15°	2131	2122	2099
20°	1574	1568	1554
25°	1109	1111	1104
30°	771	780	780
35°	543	555	561
40°	393	404	412
45°	290	299	307

### Ym24/60c/30K/2200

Input Power: 25.4 W  
Lumens: 1846 lm  
Efficacy: 72.8 lm/W  
CBCP: 1992  
Beam Angle: 58.1°  
Field Angle: 92.9°

∠	0°	45°	90°
0°	1973	1973	1973
5°	1857	1839	1916
10°	1656	1641	1746
15°	1449	1445	1547
20°	1259	1271	1362
25°	1082	1114	1186
30°	925	969	1017
35°	751	777	832
40°	506	495	588
45°	205	172	294



Height	Ym24/15c/30K/2200	Ym24/25c/30K/2200	Ym24/40c/30K/2200	Ym24/60c/30K/2200
3'	0.56' D; 651 FC	1.25' D; 546 FC	2.10' D; 251 FC	3.33' D; 153 FC
6'	1.11' D; 163 FC	2.50' D; 137 FC	4.21' D; 63 FC	6.66' D; 38 FC
9'	1.67' D; 72 FC	3.74' D; 61 FC	6.31' D; 28 FC	9.99' D; 17 FC
12'	2.23' D; 41 FC	4.99' D; 34 FC	8.42' D; 16 FC	13.32' D; 10 FC
15'	2.78' D; 26 FC	6.24' D; 22 FC	10.52' D; 10 FC	16.65' D; 6 FC

### CRI-CCT MULTIPLIER

CRI	CCT	Multiplier	CRI	CCT	Multiplier
8 (80+)	2200K	0.86	H (97+)	2700K	0.66
	2500K	0.91		3000K	0.71
	2700K	0.96		3500K	0.75
	3000K	1.00		4000K	0.77
	3500K	1.03	M (MonoWhite)	3000K	0.86
	4000K	1.05		3500K	0.88
9 (90+)	2200K	0.70			
	2500K	0.77			
	2700K	0.83			
	3000K	0.86			
	3500K	0.89			
	4000K	0.91			

### OUTPUT MULTIPLIER

Package	Optic	Multiplier	Package	Optic	Multiplier
18 W 1700 lm Ym24 COB	15°	0.86	14 W 1400 lm Ym24 COB	15°	0.70
	25°	0.74		25°	0.60
	40°	0.74		40°	0.60
	60°	0.74		60°	0.60

\*Consult factory for lead time and availability

Modules are black finish standard. Other finishes are available; consult factory for custom specification.

**WARNING:** Not for use in fully enclosed luminaires. Risk of electric shock. Use in an indoor, dry location only. This device is not intended for use with emergency exit fixtures or emergency exit lights. May not be compatible with all dimmers; please visit [solais.com/dimming](http://solais.com/dimming) for up-to-date dimmer compatibility information.

**NOTES:** This device complies with Part 15 of the FCC Rule. This product may cause interference with other devices. If interference occurs, change the locations of the products involved. **Compatible on 120v systems.**