

XSRrm

X-SERIES | XM20

SEMI RECESSED REMODEL

SOLAIS®

PROJECT _____

TYPE _____

SPECIFICATION _____

- Upgrade to modular Solais multiples without complicated re-installation
- 120 V standard
- 0-10 V*, Triac and ELV dimming
- Field-replaceable LED module with integrated driver; no tools needed
- 50,000 hours (L70)
- RoHs-compliant
- UL Certified for dry locations
- Contain no lead or mercury
- Designed for new construction ceiling installation
- Non-IC rated; insulation must be kept 3" from sides and 1" above housing
- VioLight and *MonoWhite color rendering enhancements available
- *90+ High CRI available.
To order, replace 'K' in CCT designation with 'h' in ordering code.



XSR11rm

X-SERIES | XM20

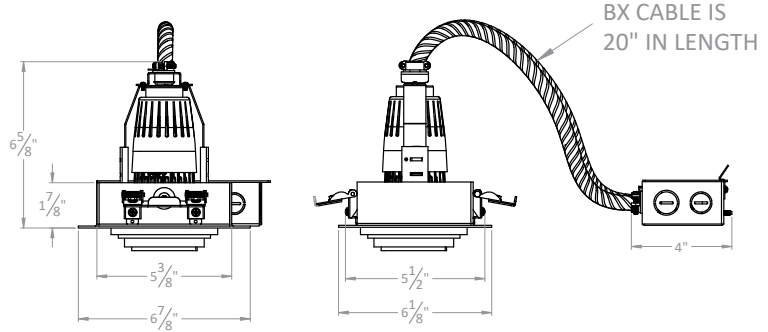
SEMI RECESSED REMODEL

PROJECT _____

TYPE _____

SPECIFICATION _____

- Max Ceiling Thickness: 5/8"
- Ceiling Cut-Out: 5 3/4" x 5 1/2"
- Weight without module: 3 lbs.



Ordering Information

Example: XSR11rm/Xm20/25/30K/1100/WH/WH/SL

Fixture	Module	Beam Spread	CCT / Lumens	Options + Accessories
XSR11rm	Xm20	COB-optic	25K* / 1000	Module Options
		15c	27K / 1050	HL - Honeycomb Louver
		25c	30K / 1100	SL - Linear Spread
		40c	30m* / 1100	SP - Prismatic Spread
		60c	35K* / 1100	More Accessories Available
			35m* / 1100	Fixture Options
			40K* / 1100	010 - 0-10 V Dimming*
			25K* / 1300	EM - Emergency Backup
			27K / 1450	Microinverter*
			30K / 1500	
			30m* / 1500	
			35K* / 1500	
			35m* / 1500	
			40K* / 1500	
			25K* / 1800	
			27K / 1900	
			30K / 2000	
			30m* / 2000	
			35K* / 2000	
			35m* / 2000	
			40K* / 2000	
		Multi-optic	27K / 1400	
		15m	30K / 1450	
		25m	30v / 1450	
		40m	35K* / 1450	
		60m	40K* / 1450	
		Specialty	27K / 750	
		10c	30K / 750	
		Dim-to-Warm	(2700K to 1800K)	
		25c	D27 / 1300	
		40c		

*Consult factory for lead time and availability

XSR12rm

X-SERIES | XM20

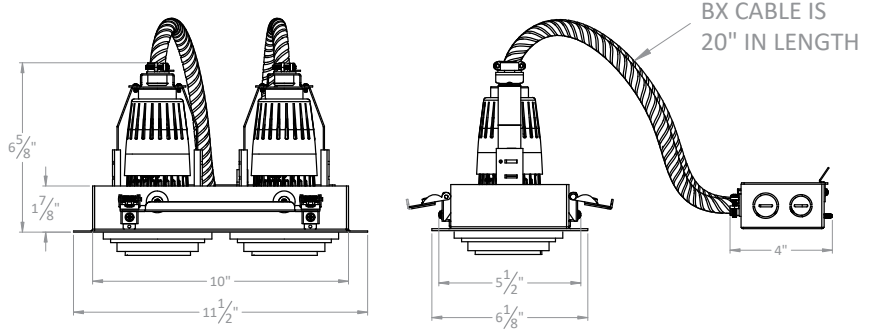
SEMI RECESSED REMODEL

PROJECT _____

TYPE _____

SPECIFICATION _____

- Max Ceiling Thickness: 5/8"
- Ceiling Cut-Out: 5 3/4" x 10 1/4"
- Weight without module: 4 1/4 lbs.



Ordering Information

Example: XSR12rm/Xm20/25-25/30K/1100/WH/WH/SL-SL

1		-		2		1		-		2	
Fixture XSR12rm	Module Xm20	Beam Spread		CCT / Lumens		Options + Accessories					
		COB-optic		25K* / 1000		Module Options					
		15c		27K / 1050		HL - Honeycomb Louver					
		25c		30K / 1100		SL - Linear Spread					
		40c		30m* / 1100		SP - Prismatic Spread					
		60c		35K* / 1100		More Accessories Available					
				35m* / 1100		Fixture Options					
				40K* / 1100		010 - 0-10 V Dimming*					
				25K* / 1300		EM - Emergency Backup					
				27K / 1450		Microinverter*					
				30K / 1500							
				30m* / 1500		Trim Finish					
				35K* / 1500		Die-cast, Powder Coated					
				35m* / 1500		WH / WH - White Module, Interior + Flange					
				40K* / 1500		PW / PW* - Pure White Module, Interior + Flange					
				25K* / 1800		BK / BK - Black Module, Interior + Flange					
				27K / 1900		BK / WH* - Black Module + Interior, White Flange					
				30K / 2000		BK / PW* - Black Module, Interior + Flange					
				30m* / 2000							
				35K* / 2000							
				35m* / 2000							
				40K* / 2000							
		Multi-optic		27K / 1400							
		15m		30K / 1450							
		25m		30v / 1450							
		40m		35K* / 1450							
		60m		40K* / 1450							
		Specialty		27K / 750							
		10c		30K / 750							
		Dim-to-Warm		(2700K to 1800K)							
		25c		D27 / 1300							
		40c									

*Consult factory for lead time and availability

XSR13rm

X-SERIES | XM20

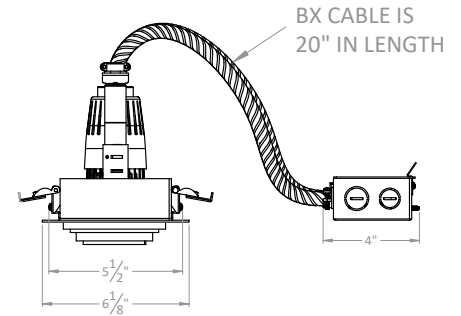
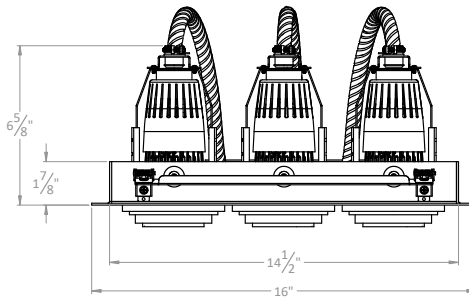
SEMI RECESSED REMODEL

PROJECT _____

TYPE _____

SPECIFICATION _____

- Max Ceiling Thickness: 5/8"
- Ceiling Cut-Out: 5 3/4" x 14 3/4"
- Weight without module: 6 5/8 lbs.



Ordering Information

Example: XSR13rm/Xm20/25-25-25/30K/1100/WH/WH/SL-SL-SL

1 - 2 - 3

1 - 2 - 3

Fixture	Module	Beam Spread	CCT / Lumens	Options + Accessories
XSR13rm	Xm20	COB-optic	25K* / 1000	Options + Accessories Module Options HL - Honeycomb Louver SL - Linear Spread SP - Prismatic Spread More Accessories Available Fixture Options 010 - 0-10 V Dimming* EM - Emergency Backup Microinverter* Trim Finish Die-cast, Powder Coated WH / WH - White Module, Interior + Flange PW / PW* - Pure White Module, Interior + Flange BK / BK - Black Module, Interior + Flange BK / WH* - Black Module + Interior, White Flange BK / PW* - Black Module, Interior + Flange
		15c	27K / 1050	
		25c	30K / 1100	
		40c	30m* / 1100	
		60c	35K* / 1100	
			35m* / 1100	
			40K* / 1100	
			25K* / 1300	
			27K / 1450	
			30K / 1500	
			30m* / 1500	
			35K* / 1500	
			35m* / 1500	
			40K* / 1500	
			25K* / 1800	
			27K / 1900	
			30K / 2000	
			30m* / 2000	
			35K* / 2000	
			35m* / 2000	
			40K* / 2000	
		Multi-optic	27K / 1400	
		15m	30K / 1450	
		25m	30v / 1450	
		40m	35K* / 1450	
		60m	40K* / 1450	
		Specialty	27K / 750	
		10c	30K / 750	
		Dim-to-Warm	(2700K to 1800K)	
		25c	D27 / 1300	
		40c		

*Consult factory for lead time and availability

XSR14rm

X-SERIES | XM20

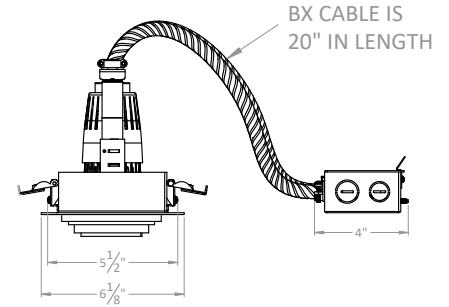
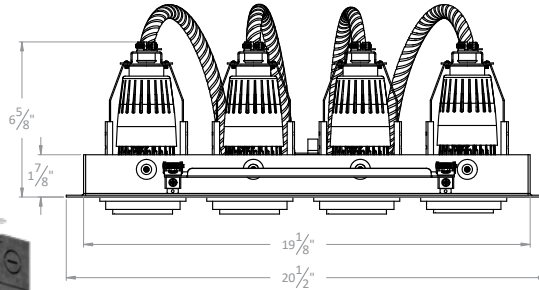
SEMI RECESSED REMODEL

PROJECT _____

TYPE _____

SPECIFICATION _____

- Max Ceiling Thickness: 5/8"
- Ceiling Cut-Out: 5 3/4" x 19 3/8"
- Weight without module: 8 3/8 lbs.



Ordering Information

Example: XSR14rm/Xm20/25-25-25-25/30K/1100/WH/WH/SL-SL-SL-SL

1 - 2 - 3 - 4 1 - 2 - 3 - 4

Fixture	Module	Beam Spread	CCT / Lumens	Options + Accessories
XSR14rm	Xm20	COB-optic	25K* / 1000	Module Options
		15c	27K / 1050	HL - Honeycomb Louver
		25c	30K / 1100	SL - Linear Spread
		40c	30m* / 1100	SP - Prismatic Spread
		60c	35K* / 1100	More Accessories Available
			35m* / 1100	Fixture Options
			40K* / 1100	010 - 0-10 V Dimming*
			25K* / 1300	EM - Emergency Backup
			27K / 1450	Microinverter*
			30K / 1500	
			30m* / 1500	
			35K* / 1500	
			35m* / 1500	
			40K* / 1500	
			25K* / 1800	
			27K / 1900	
			30K / 2000	
			30m* / 2000	
			35K* / 2000	
			35m* / 2000	
			40K* / 2000	
		Multi-optic	27K / 1400	
		15m	30K / 1450	
		25m	30v / 1450	
		40m	35K* / 1450	
		60m	40K* / 1450	
		Specialty	27K / 750	
		10c	30K / 750	
		Dim-to-Warm	(2700K to 1800K)	
		25c	D27 / 1300	
		40c		

*Consult factory for lead time and availability

XSRrm

X-SERIES | XM20 SEMI RECESSED REMODEL

PROJECT

TYPE

SPECIFICATION

PHOTOMETRIC DETAILS | baseline X output multiplier X cri-cct multiplier = final output

COB OPTIC: Baseline for 23 W,
2000 lumens, 80+ CRI, 3000K

	Xm20/10c/30K/750				Xm20/15c/30K/2000				Xm20/25c/30K/2000				Xm20/40c/30K/2000				Xm20/60c/30K/2000				
	Input Power: 11.2 W				Input Power: 22.7 W				Input Power: 22.8 W				Input Power: 22.4 W				Input Power: 22.9 W				
	Lumens: 749 lm				Lumens: 1978 lm				Lumens: 1821 lm				Lumens: 1823 lm				Lumens: 1990 lm				
	Efficacy: 67 lm/W				Efficacy: 87 lm/W				Efficacy: 80 lm/W				Efficacy: 81 lm/W				Efficacy: 87 lm/W				
	CBCP: 11648				CBCP: 15892				CBCP: 6729				CBCP: 3312				CBCP: 1121				
	Beam Angle: 10.6°				Beam Angle: 16.2°				Beam Angle: 23.3°				Beam Angle: 39.7°				Beam Angle: 53.3°				
	Field Angle: 20.8°				Field Angle: 33.7°				Field Angle: 50.4°				Field Angle: 72.4°				Field Angle: 91.4°				
	Spacing Criteria: 0.19				Spacing Criteria: 0.28				Spacing Criteria: 0.41				Spacing Criteria: 0.72				Spacing Criteria: 1.00				
	∠	0°	45°	90°	∠	0°	45°	90°	∠	0°	45°	90°	∠	0°	45°	90°	∠	0°	45°	90°	
0°		11648	11648	11648	0°	15871	15871	15871	0°	6729	6729	6729	0°	3310	3310	3310	0°	1118	1118	1118	
5°		6264	6089	5926	5°	12935	12636	12231	5°	5937	5855	5779	5°	3180	3206	3216	5°	1089	1085	1076	
10°		1275	1202	1208	10°	5971	5675	5433	10°	4081	3975	3895	10°	2795	2843	2868	10°	1030	1018	997	
15°		502	487	477	15°	2207	2176	2116	15°	2348	2291	2231	15°	2227	2283	2320	15°	937	922	887	
20°		215	210	202	20°	1027	977	936	20°	1274	1228	1203	20°	1591	1636	1682	20°	799	770	737	
25°		97	96	93	25°	484	473	436	25°	710	683	676	25°	1021	1047	1095	25°	632	598	576	
30°		54	56	52	30°	246	252	230	30°	427	411	404	30°	603	618	655	30°	460	431	414	
35°		35	34	31	35°	157	157	146	35°	280	270	265	35°	347	355	378	35°	308	287	279	
40°		21	20	19	40°	122	115	109	40°	198	189	187	40°	207	212	224	40°	201	187	180	
45°		10	9	10	45°	106	99	88	45°	135	124	124	45°	131	133	140	45°	126	117	108	
3'		0.56' D; 906 FC				0.85' D; 1234 FC				1.23' D; 523 FC				2.16' D; 257 FC				3.01' D; 87 FC			
6'		1.11' D; 227 FC				1.70' D; 309 FC				2.47' D; 131 FC				2.47' D; 64 FC				6.02' D; 22 FC			
9'		1.67' D; 101 FC				2.55' D; 137 FC				3.70' D; 58 FC				6.49' D; 29 FC				9.03' D; 10 FC			
12'		2.23' D; 57 FC				3.41' D; 77 FC				4.94' D; 33 FC				8.65' D; 16 FC				12.04' D; 5 FC			
15'		2.78' D; 36 FC				4.26' D; 49 FC				6.17' D; 21 FC				10.82' D; 10 FC				15.06' D; 4 FC			



MULTI-OPTIC: Baseline for 16 W,
1450 lumens, 80+ CRI, 3000K

	Xm20/15m/30K/1450				Xm20/25m/30K/1450				Xm20/40m/30K/1450				CRI-CCT MULTIPLIER			OUTPUT MULTIPLIER	
	Input Power: 16.2 W				Input Power: 16.1 W				Input Power: 16.2 W				CRI	CCT	Multiplier	Package	Multiplier
	Lumens: 1595 lm				Lumens: 1525 lm				Lumens: 1434 lm								
	Efficacy: 98 lm/W				Efficacy: 95 lm/W				Efficacy: 89 lm/W				8 (80+)	2200K	0.86	17 W 1500 lm Xm20 COB-optic	0.82
	CBCP: 18848				CBCP: 5928				CBCP: 2886								
	Beam Angle: 12.7°				Beam Angle: 26.1°				Beam Angle: 38.2°				2700K	0.96	13 W 1100 lm Xm20 COB-optic	0.77	
	Field Angle: 28.0°				Field Angle: 49.2°				Field Angle: 69.9°								3000K
	Spacing Criteria: 0.22				Spacing Criteria: 0.46				Spacing Criteria: 0.69				3500K	1.03			
	∠	0°	45°	90°	∠	0°	45°	90°	∠	0°	45°	90°			4000K	1.05	2700K
0°		18848	18848	18848	0°	5928	5928	5928	0°	2886	2886	2886	2500K	0.77			
5°		11986	12047	12378	5°	5307	5357	5371	5°	2813	2786	2753			3500K	0.89	3500K
10°		4597	4761	4865	10°	3847	3970	4026	10°	2422	2405	2364	4000K	0.91			
15°		1318	1708	1443	15°	2233	2393	2486	15°	1922	1923	1882			3000K	0.77	3500K
20°		449	521	469	20°	1081	1179	1266	20°	1409	1408	1385	3000K	0.77			
25°		227	262	235	25°	501	554	600	25°	902	915	905			3000K	0.86	3000K
30°		165	172	160	30°	247	278	298	30°	513	532	524	3000K	0.86			
35°		102	112	106	35°	134	152	160	35°	282	292	291			3000K	0.86	3000K
40°		70	76	83	40°	82	89	91	40°	155	161	161	3000K	0.86			
45°		37	34	36	45°	48	54	55	45°	83	84	84			3000K	0.86	3000K
3'		0.67' D; 1466 FC				1.39' D; 461 FC				2.08' D; 225 FC				M (MonoWhite)			
6'		1.33' D; 367 FC				2.78' D; 115 FC				4.16' D; 56 FC					V (VioLight)	3000K	0.89
9'		2' D; 163 FC				4.17' D; 51 FC				6.23' D; 25 FC							
12'		2.66' D; 92 FC				5.56' D; 29 FC				8.31' D; 14 FC							
15'		3.33' D; 59 FC				6.95' D; 18 FC				10.39' D; 9 FC							



XSRrm

X-SERIES | XM20

SEMI RECESSED REMODEL

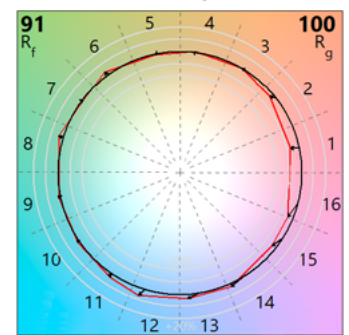
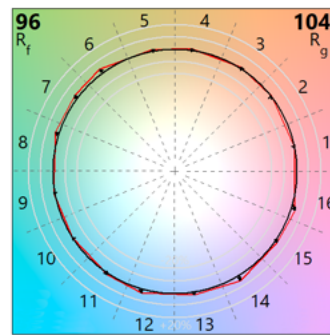
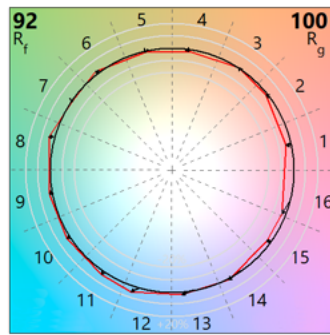
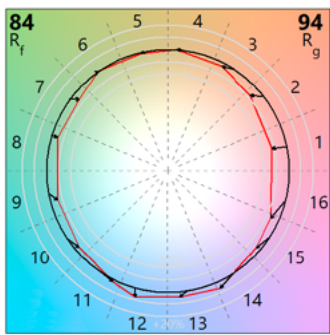
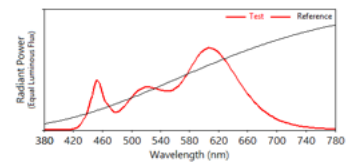
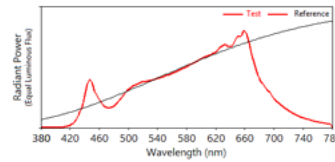
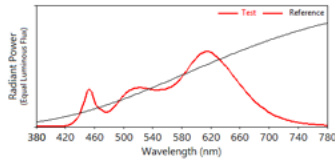
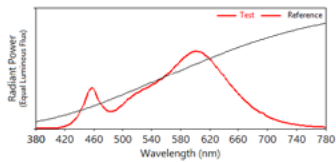
PROJECT _____

TYPE _____

SPECIFICATION _____

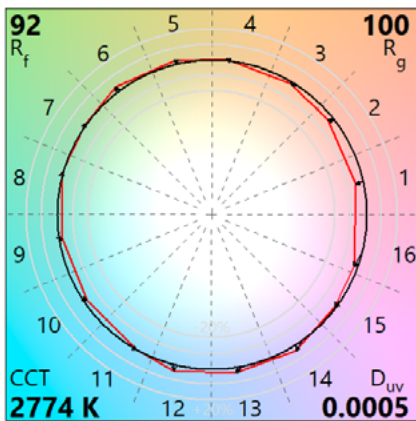
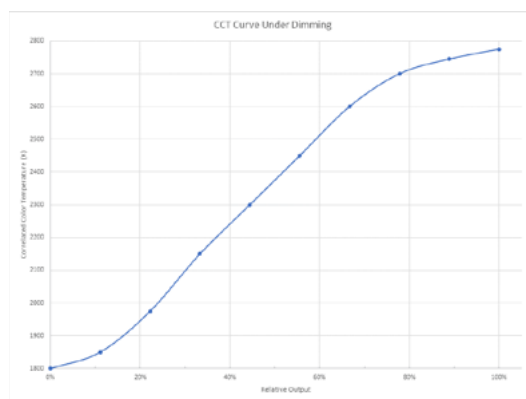
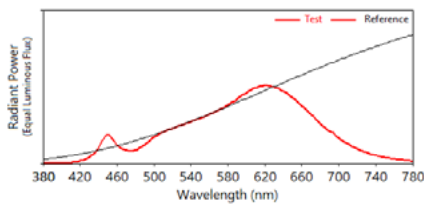
TM30 COLOR REPORTS

- 3000K with 80+ CRI
 - $R_f = 84$; $R_g = 94$
 - $R_A = 82$; $R_9 = 11$
- 3000K with 90+ CRI
 - $R_f = 92$; $R_g = 100$
 - $R_A = 93$; $R_9 = 56$
- 3000K with 97+ CRI
 - $R_f = 96$; $R_g = 104$
 - $R_A = 97$; $R_9 = 98$
- 3000K with MonoWhite
 - $R_f = 91$; $R_g = 100$
 - $R_A = 91$; $R_9 = 42$



DIM TO WARM DETAILS | Dim to warm only available with 25° and 40° beam spreads; 90+CRI

- 2700K to 1800K with 90+ CRI
 - $R_f = 92$; $R_g = 100$
 - $R_A = 93$; $R_9 = 57$



Xm20/25c/D27/1300

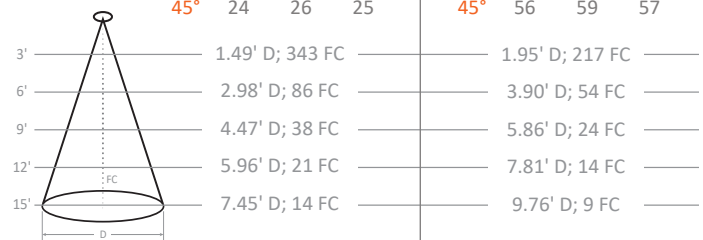
Input Power: 18.3 W
 Lumens: 1277 lm
 Efficacy: 70 lm/W
 CBCP: 4427
 Beam Angle: 27.9°
 Field Angle: 53.1°
 Spacing Criteria: 0.50

∠	0°	45°	90°
0°	4410	4410	4410
5°	4262	4250	4150
10°	3388	3404	3243
15°	2218	2252	2097
20°	1234	1269	1166
25°	609	624	577
30°	312	314	289
35°	152	151	141
40°	66	69	65
45°	24	26	25

Xm20/40c/D27/1300

Input Power: 18.3 W
 Lumens: 1247 lm
 Efficacy: 68 lm/W
 CBCP: 2806
 Beam Angle: 36.1°
 Field Angle: 65.9°
 Spacing Criteria: 0.50

∠	0°	45°	90°
0°	2796	2796	2796
5°	2742	2744	2713
10°	2432	2448	2398
15°	1867	1906	1849
20°	1247	1298	1252
25°	749	787	758
30°	423	443	426
35°	231	241	231
40°	116	122	118
45°	56	59	57



WARNING: Not for use in Semi enclosed luminaires. Risk of electric shock. Use in an indoor, dry location only. This device is not intended for use with emergency exit fixtures or emergency exit lights. May not be compatible with all dimmers; please visit solais.com/dimming for up-to-date dimmer compatibility information.
NOTES: This device complies with Part 15 of the FCC Rule. This product may cause interference with other devices. If interference occurs, change the locations of the products involved. **Compatible on 120v systems.**