

XL24

PAR 24 | LED LAMP

- 120 V Standard
- 50,000 Hours (L70)
- UL Certified
- RoHS-compliant
- Dry location rating
- Contains no lead or mercury
- Fully dimmable; Compatibility list available.
- Designed for use in track and recessed fixtures (including IC rated housing)



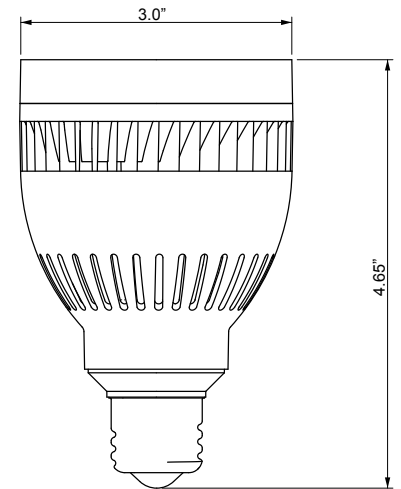
Weight: 22.4 oz.



Ordering Information

Example: XL24/25/30K/3500/SV/SN

Fixture	Beam Spread	CCT / Lumens	Housing Color	Options
XL24	15 25 40	30K / 1600	SV - Silver	TS - Tapered Snoot HL - Honeycomb Louver SL - Linear Spread SS - Solite Spread SF - Frosted Spread More Accessories Available



Fixture	Fixture Code			Power (Watts)	CBCP (cd)	Standard CRI
	Beam Angle	CCT	Delivered Lumens			
XL24	15	30K	1600	20	22454	85
	25				11961	
	40				4134	



Therrottle

Thermal Throttle – In the event that Solais products begin to overheat, they will undetectedly dim themselves to protect your technology investments.



Luxiance

Luxiance utilizes active cooling to remove heat from the LED system - allowing Solais LED lamps to operate cooler, resulting in superior life, light output, and performance.



Warranty



IES Files



Dimmers



Accessories

WARNING: Not for use in fully enclosed luminaires. Risk of electric shock. Use in an indoor, dry location only. This device is not intended for use with emergency exit fixtures or emergency exit lights. May not be compatible with all dimmers; please visit solais.com/dimming for up-to-date dimmer compatibility information.

NOTES: This device complies with Part 15 of the FCC Rule. This product may cause interference with other devices. If interference occurs, change the locations of the products involved. **Compatible on 120v systems.**