

VP Troffers

VOLUMETRIC PANELS

2 X 4 | 2 X 2

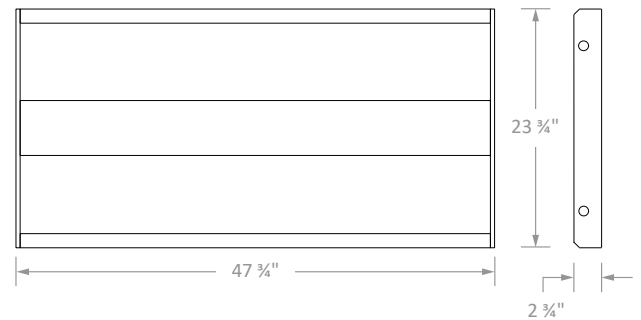
PROJECT _____

TYPE _____

SPECIFICATION _____

- Easy installation in new construction or retrofit applications
- Designed to fit into standard 2'x4' and 2'x2' grid ceilings
- Built-in earthquake clips provide secure installation
- Uniform illumination with no visible LEDs
- Round diffuse lens provides smooth illumination for visual comfort and minimal glare
- 0-10 V dimming standard
- Steel housing and PMMA lens
- 120-277 V; 50-60 Hz
- 140,000 Hours (L70)
- Power factor > 0.90
- Total harmonic distortion < 20%
- UL Certified for dry and damp locations; -2°C to 50°C
- Meets IEEE 1789-2015 Low Risk flicker category
- Meets IEEE C.62.41 1991, Class A input transient surge protection (2.5kV)
- RoHs-compliant
- IC Rated
- DLC Premium Listed

VP24

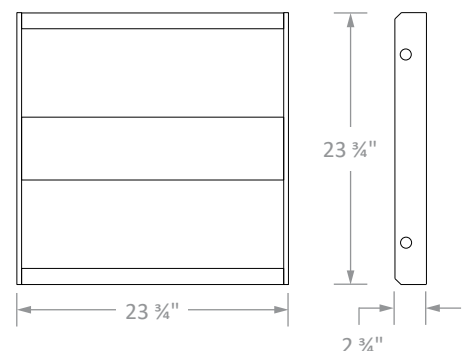


Weight: 18 lbs.



Ordering Information		Example: VP24/835/50P/PW/SM-EM	
CRI 8 - 80+	CCT 35 - 3500K 40 - 4000K 50 - 5000K	Finish PW - Perfect White	Options + Accessories OS - Occupancy Sensor SM - Surface Mount Kit FM - Flush Mount Kit CB - Cable Mount Kit EM - Remote Mount Emergency Backup (90 minute, 11 W, 1600 lumens, CEC listed)
Fixture VP24	Output 50P - 33 W; 5000 lumens; DLC Premium		
VP22	30P - 24 W; 3000 lumens; DLC Premium		

VP22



Weight: 11 1/2 lbs.

VP Troffers

VOLUMETRIC PANELS

2 X 4 | 2 X 2

PROJECT _____

TYPE _____

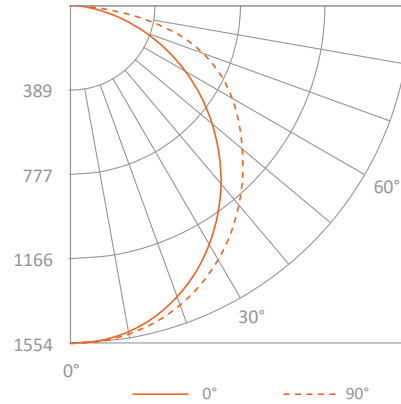
SPECIFICATION _____

▪ PHOTOMETRY: 80+ CRI, 5000K

VP24, 4500 Lumen

Total Lumens	4,605
Input Wattage	33 W
Efficacy	139 lm/W
Spacing Criterion	
0 - 180°	1.22
90 - 270°	1.30

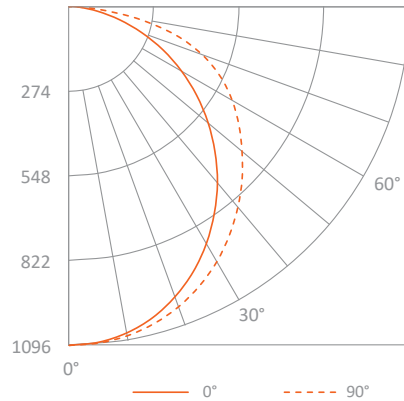
Zone	Lumens	% Fixture
0-20°	556	12.3%
0-30°	1,199	26.0%
0-40°	1,958	42.5%
20-50°	2,182	47.4%
40-70°	2,129	46.2%
0-60°	3,482	75.6%
0-80°	4,485	97.4%
0-90°	4,605	100.0%
90-180°	0	0.0%
0-180°	4,605	100.0%



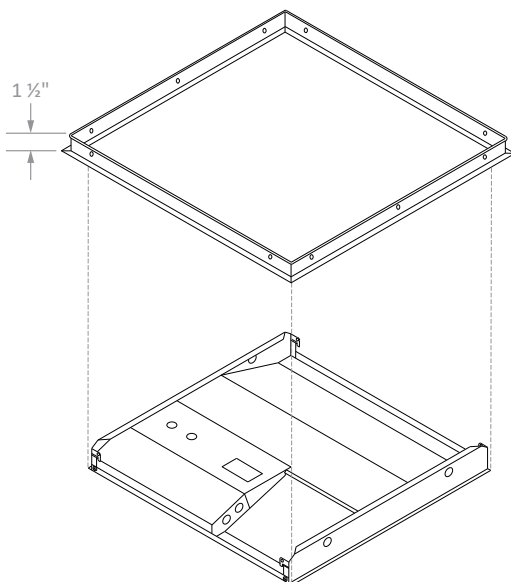
VP22, 3100 Lumen

Total Lumens	3,212
Input Wattage	24 W
Efficacy	135 lm/W
Spacing Criterion	
0 - 180°	1.22
90 - 270°	1.30

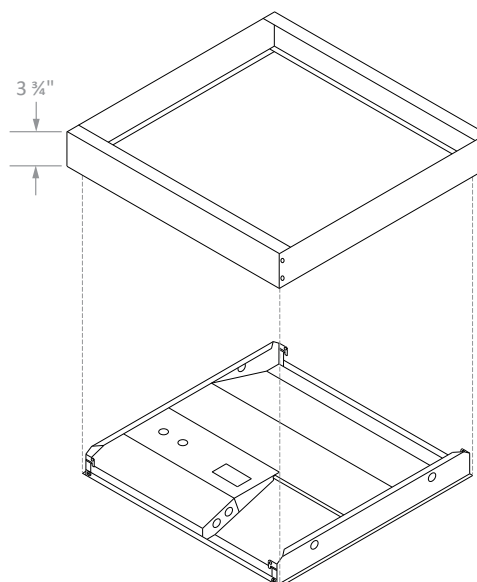
Zone	Lumens	% Fixture
0-20°	399	12.3%
0-30°	844	26.0%
0-40°	1,377	42.5%
20-50°	1,532	47.4%
40-70°	1,487	46.2%
0-60°	2,444	75.6%
0-80°	3,135	97.4%
0-90°	3,212	100.0%
90-180°	0	0.0%
0-180°	3,212	100.0%



▪ Flush Mount Kit



▪ Surface Mount Kit



▪ Cable Mount Kit

Spring Clip plus adjustable, locking ceiling attachment

