

Stretta ST2F

SHALLOW - FIXED 3"
LED ARCHITECTURAL DOWNLIGHT

PROJECT _____

TYPE _____

SPECIFICATION _____

The Stretta universal downlight offers the highest output from the smallest aperture. **Stretta** is an Italian phrase meaning "narrow" and "tight", it refers to a musical composition performed with an acceleration in tempo to end in a crescendo. Solais created this light fixture with the perfect combination of features resulting in a sleek, minimalist downlight that makes a statement: elegance in simplicity.



Round and square with beveled flange shown above.



MAIN FEATURES

- Shallow 2" height housing
- Forgiving rotating alignment tabs for perfect installation
- Magnetic arm for tool-less module installation
- Built-in accessory holder for field-replaceable lenses and louvers
- Trims/collars embedded with magnetic poles for easy installation
- Notched collars for easy, precise alignment during installation
- Field-swappable modules
- Fully dimmable
- Enhanced 2-step MacAdams Ellipse color binning standard
- New construction ceilings only
- Tool-less driver assembly

POWER SUPPLIES

- Universal Input for all drivers: 120 - 277 Vac
- Proprietary Solais Driver (See page 4 for more info)
 - TRIAC, ELV, or 0-10 V Dimming down to 1%

RATINGS + CERTIFICATIONS

- IC rated
- UL listed for dry and damp locations
- UL listed for wet locations with lensed trim or wall wash trim
- Spray foam rated
- Chicago Plenum rated
- Title 24 and JA8 compliant
- Airtight per ASTM E283
- Conforms to Washington State Energy Code
- Contain no lead or mercury



TRIM OFFERINGS

- Shapes: Round or Square
- Ceilings: gypsum, wood, specialty
- Thicknesses: 5/8" gypsum, 3/4" for mill work

TRIM TYPES

- Beveled with 3/8" flange or flangeless
- Flat-pinhole with 3/8" flange or flangeless

TRIM COLORS

- Perfect White: RAL 9003
- Black: RAL 9005
- Brown: RAL 8017
- Silver: "brushed aluminum" look
- Primer

PERFORMANCE

- Input Power and Delivered Lumens
 - 13 W; 900 lumens
 - 15 W; 1200 lumens
 - 19 W; 1400 lumens

BEAM SPREADS

- | | |
|-------------|-------------|
| • VNSP - 9° | • NFL - 24° |
| • NSP - 14° | • FL - 35° |
| • SP - 19° | • WFL - 60° |

COLOR RENDERING

- 80+, 90+ or 97+ CRI
- MonoWhite: Solais' exclusive color enhancing technology that intensifies contrast, brightens whites and makes colors pop by bridging the cyan color gap with higher gamut color rendering

COLOR TEMPERATURES

- Standard: 2200K, 2500K, 2700K, 3000K, 3500K or 4000K
- MonoWhite: 3000K or 3500K
- Dim to Warm: 3000K to 1800K

3" Stretta ST2F

SHALLOW - FIXED
LED ARCHITECTURAL DOWNLIGHT

PROJECT _____

TYPE _____

SPECIFICATION _____

ORDERING INFORMATION

Example: ST2RF/1/BD/PW/NFL/930/1200/UNV/EM-HL-LT

Fixture ST2RF <i>Round</i> ST2SF <i>Square</i>	Ceiling Thickness 1 - 3/8" 2 - 3/4" <i>(mill work)</i>	Trim BD <i>Beveled Down with flange</i> BDT <i>Beveled Down flangeless</i> FD <i>Flat-pinhole Down with flange</i> FDT <i>Flat-pinhole Down flangeless</i>	Trim Cone Finish PW - Perfect White BK - Black BR - Brown SV - Silver PR - Primer	Beam Spread ³ VNSP - 9° (500 lumens only) NSP - 14° SP - 19° NFL - 24° FL - 35° ⁵ WFL - 60°	Delivered Lumens 500 <i>(VNSP only)</i> 900 <i>(SP unavailable)</i> 1200 1400	Options + Accessories EM - Emergency Backup MB - Mounting Bracket <i>Hanging Bars</i> Module Accessories (Max 2) HL - Honeycomb Louver UL - Ultraviolet Lens SL - Solite Lens CL - Clear Lens <i>*Color lenses available, CF</i> Trim Options (Max 1) ST - Solite Lens FT - Frosted Lens CT - Clear Lens ⁵ WT - Wide Flood Lens DTR2FA - 2" Frosted Acrylic <i>Decorative Trim for round pinhole</i> DTS2FA - 2" Frosted Acrylic <i>Decorative Trim for square pinhole</i>
				CRI 8 - 80+ ⁴ 9 - 90+ ⁴ H - 97+	CCT 22 - 2200K 25 - 2500K 27 - 2700K 30 - 3000K 35 - 3500K 40 - 4000K	
				²⁴ M - MonoWhite 30 - 3000K 35 - 3500K		
				¹² D - Dim to Warm 90+ CRI, 1400 lumens only	3018 - 3000K to 1800K	

*Consult factory for lead time and availability

Notes: ¹Dim to Warm available with NFL, FL or WFL and 1400 lumens only

²CRI specification unavailable with MonoWhite or Dim to Warm; 90+ CRI Standard

³VNSP unavailable with MonoWhite or Dim to Warm

⁴MonoWhite and High CRI products produce up to 20% less measured lumens than their standard CCT; Although, perceived lumens will be noticeably higher.

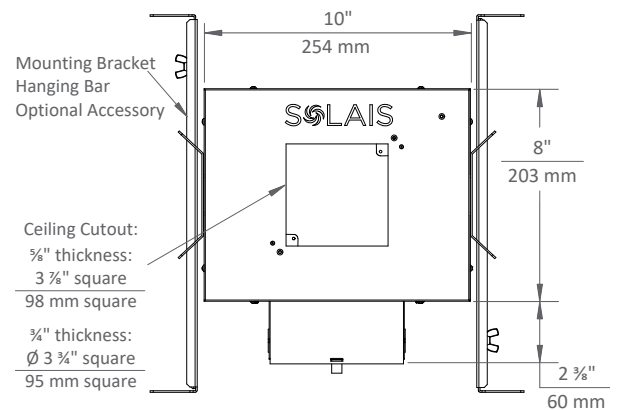
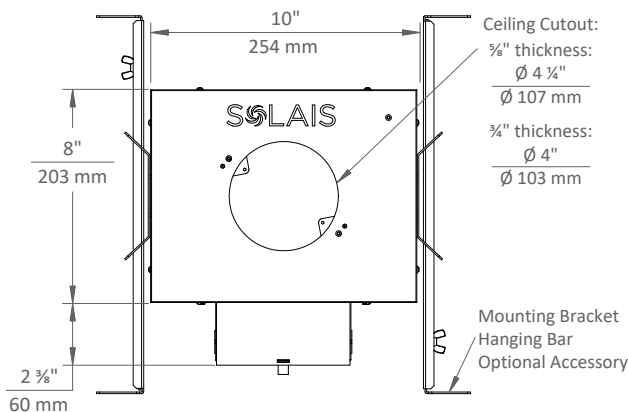
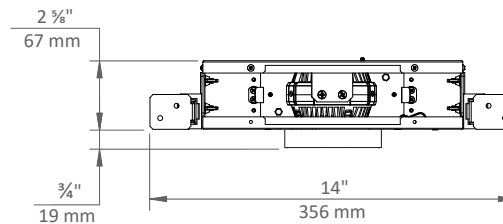
⁵WFL Beam Spread is achieved with NFL optic and WT trim accessory.

Power Supply (Univ 120 - 277 V)

UNV - Solais 1% Univ Dimming

DIMENSIONAL DETAILS

- Fixture Weight: 5.7 lb / 2.6 kg
- Hanging Bars: Optional Accessory
14 1/8" / 359 mm Minimum
25 3/4" / 654mm Maximum



3" Stretta ST2F

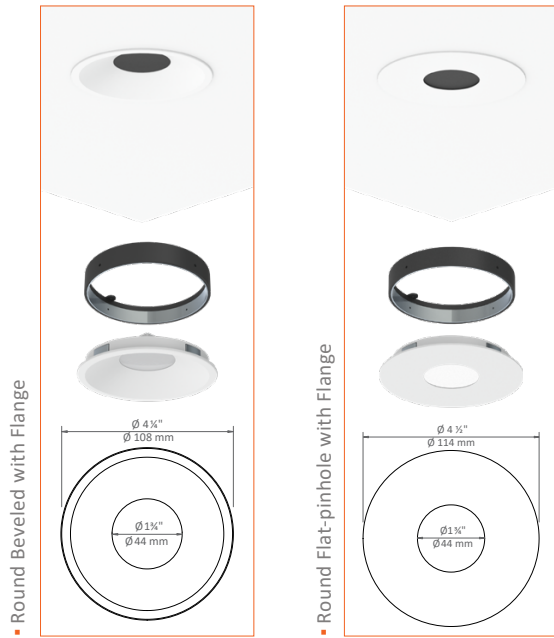
SHALLOW - FIXED
LED ARCHITECTURAL DOWNLIGHT

PROJECT _____

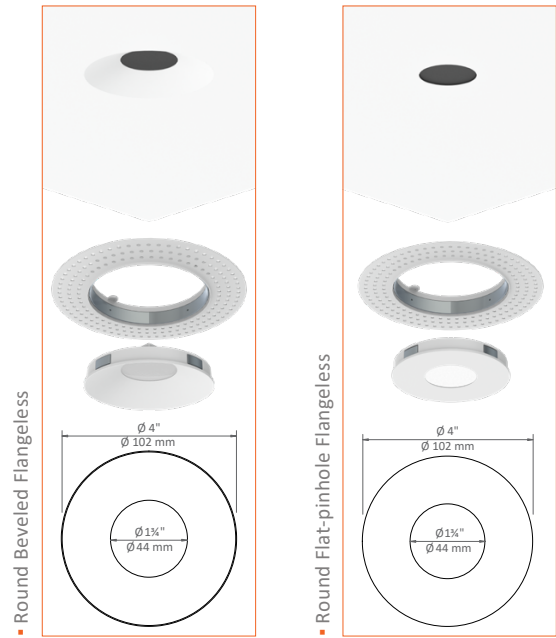
TYPE _____

SPECIFICATION _____

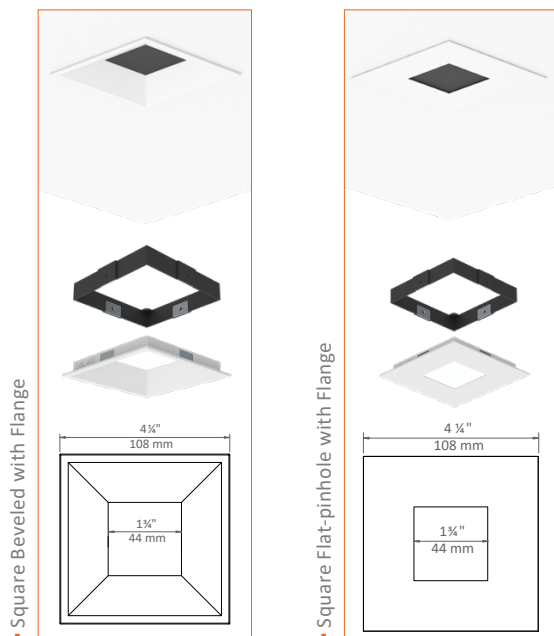
ROUND FLANGED TRIM TYPES



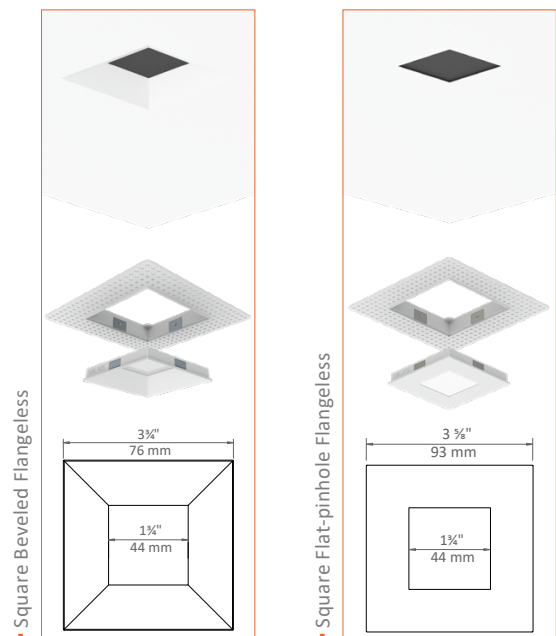
ROUND FLANGELESS TRIM TYPES



SQUARE FLANGED TRIM TYPES



SQUARE FLANGELESS TRIM TYPES



3" Stretta ST2F

SHALLOW - FIXED
LED ARCHITECTURAL DOWNLIGHT

PROJECT _____

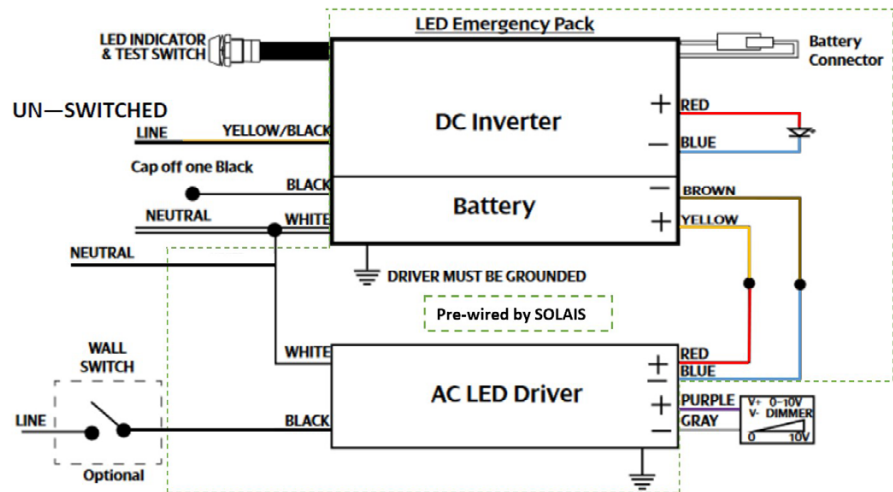
TYPE _____

SPECIFICATION _____

SOLAIS PROPRIETARY DRIVER DETAILS (PS-25WUD1-A060)

- Universal Input: 120 - 277 Vac
- TRIAC, ELV, or 0-10 V Dimming down to 1%
- LED maintenance indicator for service efficiency
- Output Voltage: 30-40Vdc
- Output Current: 280mA / 340mA / 450mA / 600mA
- PF > 0.9
- THD < 20%
- Output Current Precision: +/- 5%
- Turn On Delay: < 0.5s
- Short Circuit Protection: Hiccup mode with self-recovery
- Over Temperature Protection: Reduction to 10% of output current when Ta > 75°C
- UL 5VA Polycarbonate housing
- 5 year warranty at Tc < 70C
- Certifications: UL, FCC Part 15, CE, UL8750 Class 2, EN61000-4-5 Surge Immunity, 2.5kV
- Wire Length
 - L/N: UL1015 18AWG 10.5"
 - LED+/LED-: UL1015 18AWG 10.5"
 - DIM+/DIM-: UL1007 22AWG 10"
- Dimensions
 - 113 mm x 41.5 mm x 30 mm
 - 4.45" x 1.63" x 1.18"
- Temperature Range
 - Operating: -20° to 55°C, 10-85% RH
 - Storage: -40° to 85°C, 5-95% RH

EMERGENCY BACKUP DETAILS



FLICKER TESTING

- Flicker-free across dimming range
- Flicker Index: < 0.05
- Percent Flicker: < 12%
- Short Term Flicker: < 0.04
- Stroboscopic Visibility: < 0.41
- Meets "Low Risk" category of IEEE P1789-2015
- Tested dimmers:
 - TRIAC: Lutron DV-600P-BL
 - ELV: Lutron DVELV-300P-WH
 - 0-10 V: Lutron DVSTV

3" Stretta ST2F

SHALLOW - FIXED
LED ARCHITECTURAL DOWNLIGHT

PROJECT

TYPE

SPECIFICATION

PHOTOMETRIC DETAILS | baseline X output multiplier X cri-cct multiplier = final output

Baseline data shown below for 19 W, 1400 lumens, 80+ CRI , 3000K

VNSP - 9° Very Narrow Spot

Input Power: 7.2 W
Lumens: 604 lm
Efficacy: 83.8 lm/W
CBCP
Beam Angle: 9.8°
Field Angle: 20.6°
Spacing Criteria:

∠	0°	45°	90°
0°	12015	12015	12015
5°	5905	5904	5653
10°	1264	1253	1269
15°	490	494	512
20°	193	200	210
25°	82	85	88
30°	40	41	40
35°	21	22	20
40°	10	11	10
45°	1	2	1

NSP - 14° Narrow Spot

Input Power: 18.1 W
Lumens: 1501 lm
Efficacy: 83.1 lm/W
CBCP
Beam Angle: 15.2°
Field Angle: 32.4°
Spacing Criteria: 0.27

∠	0°	45°	90°
0°	18506	18506	18506
5°	11935	13620	14967
10°	4492	5560	6621
15°	1888	2079	2354
20°	793	933	1024
25°	309	378	437
30°	113	173	173
35°	22	69	60
40°	0	16	12
45°	0	0	0

SP - 19° Spot

Input Power: 19.0 W
Lumens: 1372 lm
Efficacy: 72.4 lm/W
CBCP
Beam Angle: 20.5°
Field Angle: 44.9°
Spacing Criteria: 0.36

∠	0°	45°	90°
0°	9708	9708	9708
5°	8001	7992	8086
10°	4692	4811	5067
15°	2534	2559	2749
20°	1363	1286	1497
25°	676	587	699
30°	307	239	286
35°	114	78	82
40°	31	19	16
45°	0	0	0

NFL - 24° Narrow Flood

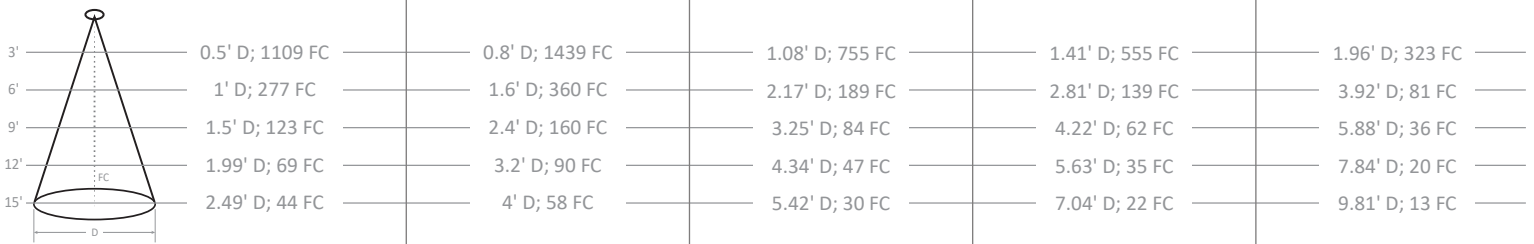
Input Power: 18.9 W
Lumens: 1315 lm
Efficacy: 69.6 lm/W
CBCP
Beam Angle: 26.4°
Field Angle: 50.0°
Spacing Criteria: 0.47

∠	0°	45°	90°
0°	7139	7139	7139
5°	6593	6664	6589
10°	5012	5066	4836
15°	3123	3198	2972
20°	1697	1609	1542
25°	781	600	703
30°	263	200	256
35°	64	64	60
40°	18	10	10
45°	0	0	0

FL - 35° Flood

Input Power: 18.9 W
Lumens: 1368 lm
Efficacy: 72.4 lm/W
CBCP
Beam Angle: 36.2°
Field Angle: 64.4°
Spacing Criteria: 0.65

∠	0°	45°	90°
0°	4155	4155	4155
5°	4144	4113	3993
10°	3701	3728	3550
15°	2864	2952	2816
20°	1884	2026	1955
25°	1089	1213	1194
30°	570	648	653
35°	277	285	335
40°	113	116	157
45°	31	45	58



OUTPUT MULTIPLIER

Package	Optic	Multiplier	Package	Optic	Multiplier
15 W 1200 lm	NSP	0.75	13 W 900 lm	NSP	0.62
	SP	0.76		NFL	0.63
	NFL	0.76		FL	0.63
	FL	0.76			

CRI-CCT MULTIPLIER

CRI	CCT	Multiplier	CRI	CCT	Multiplier
8 (80+)	2200K	0.86	H (97+)	2700K	0.66
	2500K	0.91		3000K	0.71
	2700K	0.96		3500K	0.75
	3000K	1.00		4000K	0.77
	3500K	1.03	M (MonoWhite)	3000K	0.86
	4000K	1.05		3500K	0.88
9 (90+)	2200K	0.70			
	2500K	0.77			
	2700K	0.83			
	3000K	0.86			
3500K	0.89				
4000K	0.91				

3" Stretta ST2F

SHALLOW - FIXED
LED ARCHITECTURAL DOWNLIGHT

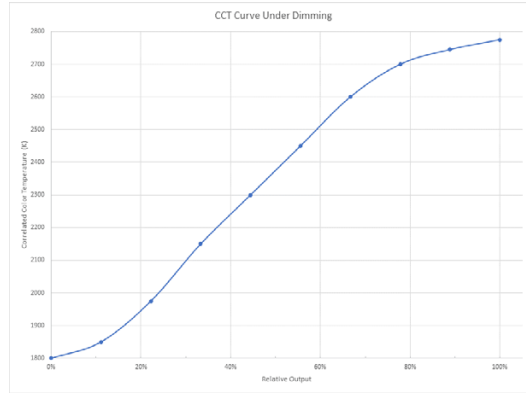
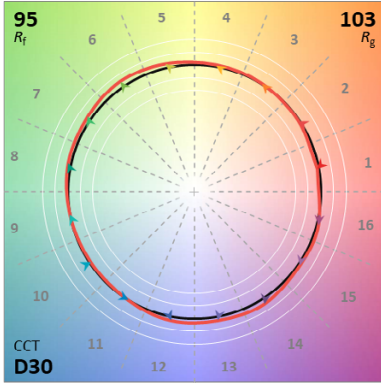
PROJECT

TYPE

SPECIFICATION

DIM TO WARM DETAILS | Dim to Warm only available with NFL, FL, and WFL beam spreads @ 19 W; 1400 lumens

- 3000K to 1800K with 90+ CRI
- $R_f = 95; R_g = 103$
- $R_A = 95; R_9 = 62$



NFL - 24° Narrow Flood

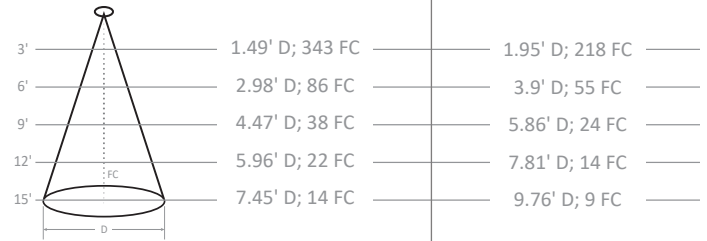
- Input Power: 18.3 W
- Lumens: 1277 lm
- Efficacy: 70 lm/W
- Beam Angle: 27.9°
- Field Angle: 53.1°

∠	0°	45°	90°
0°	4410	4410	4410
5°	4262	4250	4150
10°	3388	3404	3243
15°	2218	2252	2097
20°	1234	1269	1166
25°	609	624	577
30°	312	314	289
35°	152	151	141
40°	66	69	65
45°	24	26	25

FL - 35° Flood

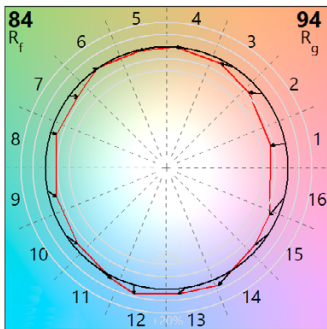
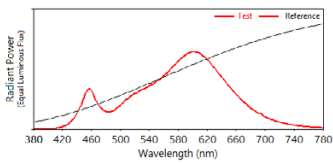
- Input Power: 18.3 W
- Lumens: 1247 lm
- Efficacy: 68 lm/W
- Beam Angle: 36.1°
- Field Angle: 65.9°

∠	0°	45°	90°
0°	2796	2796	2796
5°	2742	2744	2713
10°	2432	2448	2398
15°	1867	1906	1849
20°	1247	1298	1252
25°	749	787	758
30°	423	443	426
35°	231	241	231
40°	116	122	118
45°	56	59	57

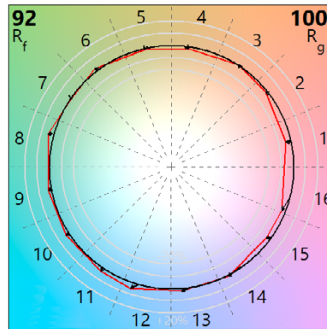
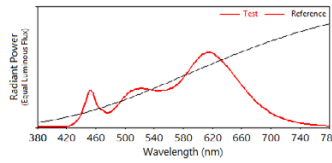


TM30 COLOR REPORTS

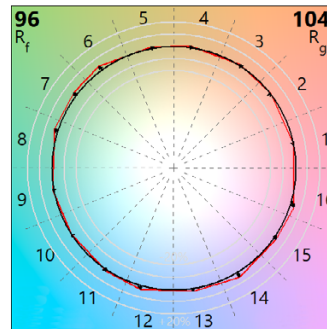
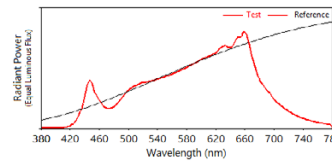
- 3000K with 80+ CRI
- $R_f = 84; R_g = 94$
- $R_A = 82; R_9 = 11$



- 3000K with 90+ CRI
- $R_f = 92; R_g = 100$
- $R_A = 93; R_9 = 56$



- 3000K with 97+ CRI
- $R_f = 96; R_g = 104$
- $R_A = 97; R_9 = 98$



- 3000K with MonoWhite
- $R_f = 91; R_g = 100$
- $R_A = 91; R_9 = 42$

