

PROJECT

SPECIFIER

SPECIFICATION

TYPE

### STRETTA

Italian phrase meaning "narrow" and "tight", referring to a musical composition performed with an acceleration in tempo to end in a crescendo. Solais created this family of fixtures with the perfect combination of features resulting in sleek, minimalist downlights that make a statement: elegance in simplicity.

### MAIN FEATURES

- Designed for remodel installation. New construction tray and Chicago plenum/airtight housing option available
- 95 CRI Standard; 98+ CRI option available
- Delivering up 900 lumens at 3000K, 95 CRI and 10W
- 40° tilt and 360° rotation for optimal adjustability
- Modular platform provides easy maintenance for individual components
- Solais' proprietary driver technology delivers smooth, flicker-free dimming (per IEEE 1789-2015) to 1% via phase-cut or 0-10 V
- Custom TIR optic platform to ensure excellent light control
- Fixture accommodates up to 2 accessories. (1 per module and trim)

### OPTICS + PERFORMANCE

- 2 performance packages
  - 8W; 700 lumen
  - 10W; 900 lumen
- Color Temperatures
  - 95 and 98+ CRI: 2200K, 2500K, 2700K, 3000K, 3500K, 4000K, 5000K
- Fixture life:
  - Full power: 50,000 hours
  - 75% power: 100,000 hours
  - Below 50% power: 125,000 hours
  - LED 90% lumen maintenance: 60,000 hours

### TRIM + COLLAR OFFERINGS

- Shapes: Round or Square
- Ceilings: gypsum, wood, t-bar, specialty, other
- Ceiling Thicknesses: ½" - ¾", ¾" - 1 ¼"
- Standard trim colors (*consult factory for custom*):
  - White: RAL 9003
  - Black: RAL 9005
  - Brown: RAL 8017
- Beveled wall wash with ½" flange, ¼" microflange or flangeless

### CONSTRUCTION + FINISH

- Weight 2.4 lbs. (*remodel*)
- Die-cast aluminum alloy housing for optimal thermal performance

### POWER + CONTROLS

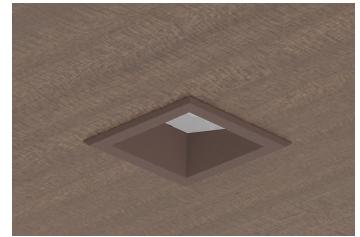
- Universal Input: 120-277V
- Proprietary Solais driver providing TRIAC, ELV, or 0-10V dimming down to 1%

### RATINGS + CERTIFICATIONS

- IC rated for remodel installations (without tray or housing)
- UL listed for wet locations with wall wash trim
- Title 24 and JA8 compliant
- Conforms to Washington State Energy Code
- Contain no lead or mercury
- Spray foam rated with housing option (CPCW only)
- Chicago Plenum rated with housing option (CPCW only)
- Airtight per ASTM E283 with housing option (CPCW only)

### WARRANTY

- 5-year warranty



Round and square wall wash with flange shown above.



FIXTURE	COLLAR	COLLAR FINISH	TRIM	FINISH	BEAM SPREAD	CRI	CCT	LUMENS	POWER SUPPLY
ST2ARM : 2" Downlight	R1 : Round; 0.5" to 0.75"	PW : Perfect White	BW : Beveled WW Flanged	PW : Perfect White	FL : 36°	9 : 95 CRI	22 : 2200K	700 : 8W	UNV2 : 120-277V Universal
	R2 : Round; 0.75" to 1.38"	BK : Black	BWM : Beveled WW Microflange	BK : Black		H : 98+ CRI	25 : 2500K	900 : 10W	
	S1 : Square; 0.5" to 0.75"	BR : Brown	BWT : Beveled WW Flangeless	BR : Brown		D : Dim-to-Warm	27 : 2700K		
	S2 : Square; 0.75" to 1.38"						30 : 3000K		
							35 : 3500K		
							40 : 4000K		
							50 : 5000K		

Notes: POs of 12 or less fixtures will be shipped as kits. Larger orders will be bulk packaged. See spec sheet for field-installed options  
 Dim to Warm is 98+ CRI; Unavailable with NSP  
 2200K, 2500K are only available with '9' and are 90+ CRI

See next page for EM + tray options

# ST2Arm WW

REMODEL | NEW CONSTRUCTION

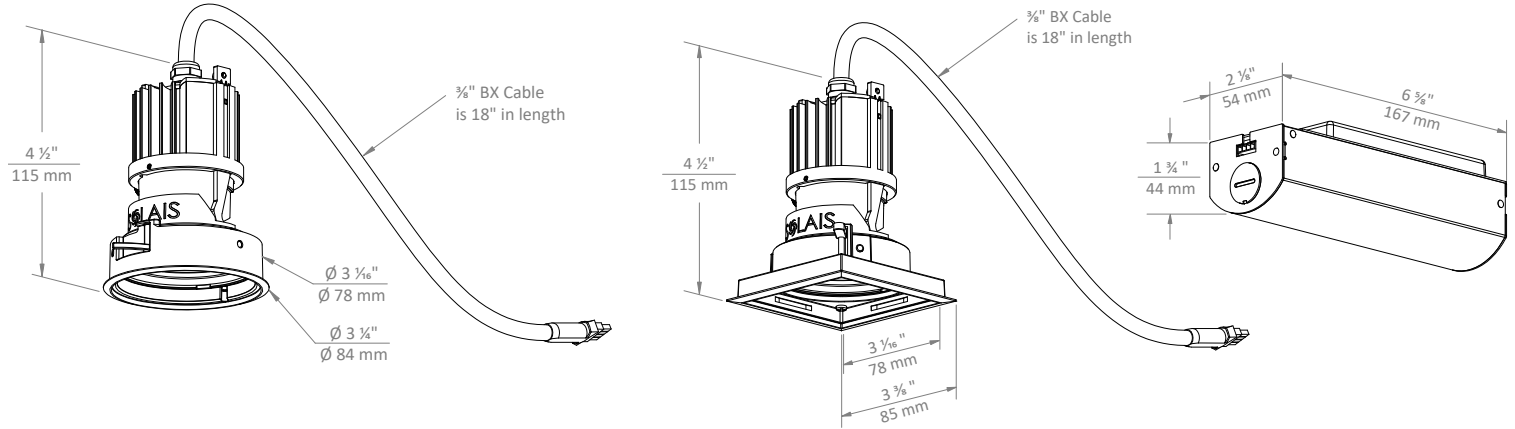
STRETTA ADJUSTABLE 2" WALL WASH

## DIMENSIONAL DETAILS

### REMODEL

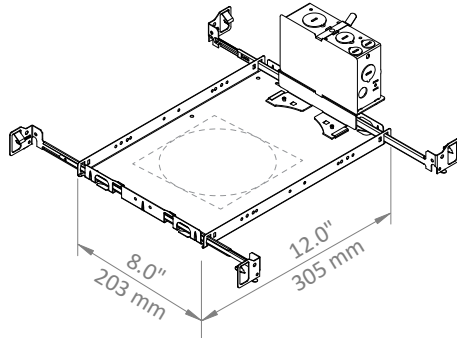
- Round Ceiling Cutout:  $\varnothing 3 \frac{1}{8}"$

- Square Ceiling Cutout:  $3 \frac{1}{8}" \times 3 \frac{1}{8}"$



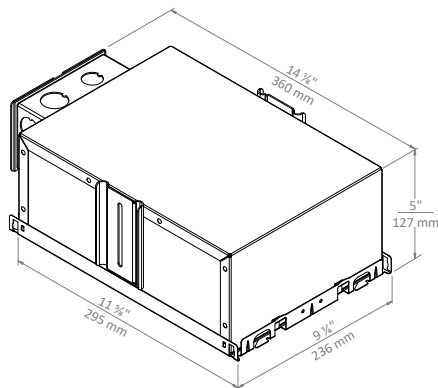
### NEW CONSTRUCTION

- NC + NCW (5.7 lbs.)  
Standard mounting brackets:  
14" Minimum to 24" Maximum
- NCC + NCCW (5.9 lbs.)  
Commercial mounting brackets:  
10" Minimum to 24" Maximum  
with 2 3/4" vertical adjustment



### CHICAGO PLENUM HOUSING

- Chicago plenum, spray foam rated,  
low airflow housing
- CPCW (7.2 lbs.)  
Commercial mounting brackets:  
10" Minimum to 24" Maximum  
with 2 3/4" vertical adjustment



FIXTURE	SHAPE	FIELD-INSTALLED FIXTURE OPTIONS
---------	-------	------------------------------------

ST2ARM	R : Round	NC : New construction tray w/ standard mounting brackets
	S : Square	NCW : New construction tray w/ pre-installed whip and standard mounting brackets
		NCC : New construction tray w/ commercial mounting brackets
		NCCW : New construction tray w/ pre-installed whip and commercial mounting brackets
		CPCW : Chicago plenum, spray foam rated, low airflow housing w/ pre-installed whip and commercial mounting brackets
	0 : n/a	EMI-8W : 8W Emergency backup microinverter
		EMI-25W : 25W Emergency backup microinverter




# ST2Arm WW

REMODEL | NEW CONSTRUCTION

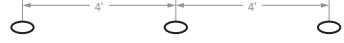
STRETTA ADJUSTABLE 2" WALL WASH

### 3 ft. from Wall 3 ft. on Center




Distance from Ceiling	1'	3.1	3.4	7.5	10.6	10.8	3.2
2'	19.5	20.1	45.2	64.6	67.5	19.8	
3'	32.2	35.0	20.6	29.0	31.5	34.1	
4'	29.1	32.7	9.3	12.3	13.5	31.4	
5'	21.1	24.2	5.1	6.3	6.9	22.9	
6'	14.4	16.5	3.4	3.9	4.2	15.4	
7'	9.9	11.4	2.4	2.7	2.9	10.5	
8'	7.0	8.0	2.4	2.7	2.9	7.4	
9'	5.1	5.8	2.4	2.7	2.9	5.3	
10'	4.0	4.5	2.4	2.7	2.9	4.1	
11'	3.2	3.5	2.4	2.7	2.9	3.2	
12'	2.7	3.0	2.4	2.7	2.9	2.7	
13'	2.2	2.4	2.4	2.7	2.9	2.2	

### 3 ft. from Wall 4 ft. on Center



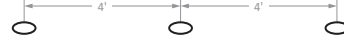
Distance from Ceiling	1'	2.5	3.2	2.8	3.2	3.3	2.8
2'	13.9	17.2	15.6	17.3	17.4	14.4	
3'	25.1	28.2	26.9	28.3	28.4	25.7	
4'	24.3	26.1	25.6	26.2	26.3	24.7	
5'	18.4	19.4	19.3	19.5	19.5	18.8	
6'	12.7	13.5	13.6	13.7	13.6	13.0	
7'	9.0	9.4	9.7	9.7	9.6	9.1	
8'	6.4	6.7	6.9	7.0	6.8	6.5	
9'	4.7	5.0	5.2	5.2	5.1	4.8	
10'	3.7	3.9	4.1	4.1	4.0	3.7	
11'	2.9	3.1	3.3	3.3	3.2	3.0	
12'	2.5	2.7	2.8	2.8	2.6	2.5	
13'	2.0	2.2	2.3	2.3	2.1	2.0	

### 4 ft. from Wall 3 ft. on Center

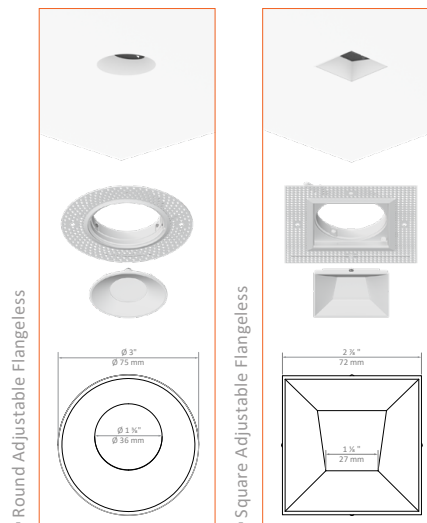
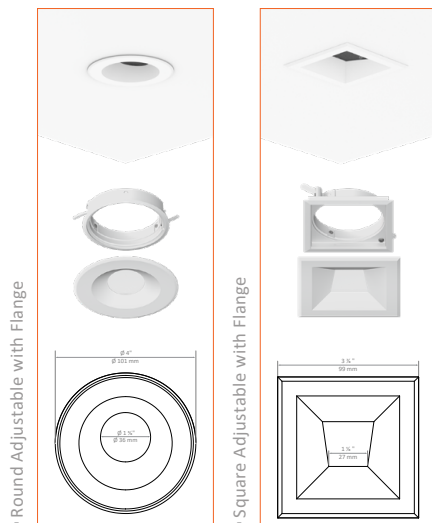


Distance from Ceiling	1'	1.5	1.7	1.7	1.6	1.5	1.6
2'	8.5	9.1	9.3	9.2	9.0	9.0	
3'	18.8	21.0	21.5	21.4	21.2	20.4	
4'	22.9	26.5	27.4	27.4	27.1	25.3	
5'	21.0	24.5	25.7	2.9	25.2	23.1	
6'	16.8	19.7	20.8	21.0	20.5	18.3	
7'	12.8	15.0	16.0	16.2	15.6	13.8	
8'	9.6	11.2	12.0	12.1	11.6	10.3	
9'	7.3	8.5	9.1	9.1	8.7	7.7	
10'	5.7	6.5	6.9	7.0	6.7	6.0	
11'	4.6	5.2	5.5	5.5	5.3	4.7	
12'	3.8	4.3	4.6	4.6	4.3	3.9	
13'	3.1	3.5	3.6	3.6	3.4	3.1	

### 3 ft. from Wall 4 ft. on Center



Distance from Ceiling	1'	1.5	1.6	1.6	1.5	1.7	1.9
2'	7.2	7.5	7.4	7.2	7.6	7.6	
3'	16.3	16.5	16.5	16.5	16.8	16.7	
4'	20.3	21.0	21.1	20.9	21.3	20.8	
5'	18.8	19.7	19.9	19.8	19.8	19.2	
6'	15.2	16.0	16.3	16.3	16.2	15.6	
7'	11.6	12.4	12.8	12.6	12.6	11.9	
8'	8.8	9.4	9.8	9.7	9.5	9.0	
9'	6.7	7.2	7.5	7.5	7.3	6.8	
10'	5.3	5.6	5.9	5.9	5.7	5.3	
11'	4.2	4.5	4.8	4.7	4.6	4.2	
12'	3.5	3.8	4.0	3.9	3.8	3.5	
13'	2.8	3.1	3.2	3.1	3.0	2.9	



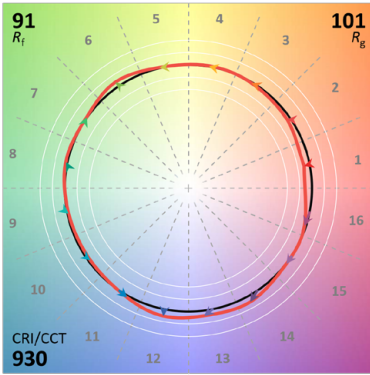
# ST2Arm WW

REMODEL | NEW CONSTRUCTION

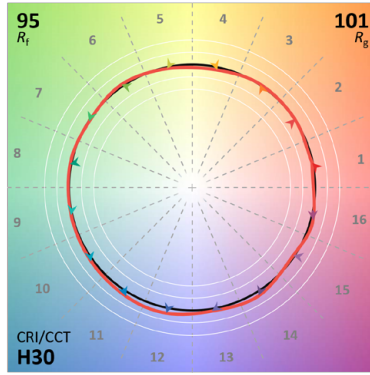
STRETTA ADJUSTABLE 2" WALL WASH

## TM30 COLOR REPORTS

- 3000K with 95 CRI
- $R_A = 95$ ;  $R_g = 62$
- $R_f = 92$ ;  $R_g = 101$

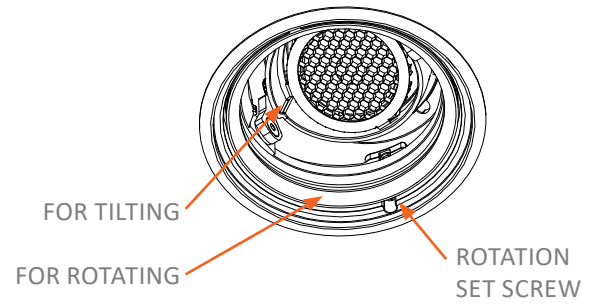


- 3000K with 98+ CRI
- $R_A = 98$ ;  $R_g = 96$
- $R_f = 95$ ;  $R_g = 96$



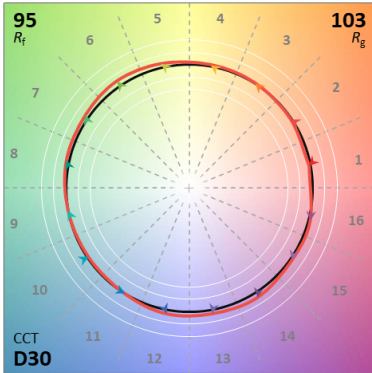
## MODULE ADJUSTABILITY

- Aim light by pushing the module to desired tilt angle
- Rotate module by placing two fingers on rotating ring and twisting
- Fasten set screw to lock position



## DIM TO WARM DETAILS | Dim to Warm only available @ 10 W; 900 lumens

- 3000K to 1800K with 98+ CRI
- $R_A = 95$ ;  $R_g = 62$
- $R_f = 92$ ;  $R_g = 101$



### NFL - Narrow Flood

Input Power: 9.8 W  
 Lumens: 703 lm  
 Efficacy: 72 lm/W  
 CBCP: 1831 cd  
 Beam Angle: 32.2°  
 Field Angle: 62.6°  
 Spacing Criteria: 0.58

∠	0°	45°	90°
0°	1831	1831	1831
5°	1755	1763	1757
10°	1485	1494	1477
15°	1037	1027	1005
20°	619	604	591
25°	366	353	347
30°	216	202	197
35°	120	110	106
40°	60	54	53
45°	29	26	24

### FL - Flood

Input Power: 9.8 W  
 Lumens: 691 lm  
 Efficacy: 71 lm/W  
 CBCP: 1423 cd  
 Beam Angle: 39.5°  
 Field Angle: 66.4°  
 Spacing Criteria: 0.72

∠	0°	45°	90°
0°	1422	1422	1422
5°	1372	1366	1365
10°	1229	1214	1227
15°	993	962	979
20°	684	649	657
25°	390	362	371
30°	207	188	191
35°	112	101	102
40°	58	53	53
45°	27	25	25

### WFL - Wide Flood

Input Power: 9.8 W  
 Lumens: 523 lm  
 Efficacy: 53 lm/W  
 CBCP: 613 cd  
 Beam Angle: 52.7°  
 Field Angle: 93.0°  
 Spacing Criteria: 0.99

∠	0°	45°	90°
0°	609	609	609
5°	586	580	583
10°	537	526	532
15°	468	453	461
20°	385	368	378
25°	297	281	291
30°	215	200	210
35°	146	133	142
40°	93	82	89
45°	53	45	49

### VFL - Very Wide Flood

Input Power: 9.8 W  
 Lumens: 496 lm  
 Efficacy: 51 lm/W  
 CBCP: 376 cd  
 Beam Angle: 70.2°  
 Field Angle: 111.4°  
 Spacing Criteria: 1.41

∠	0°	45°	90°
0°	373	373	373
5°	359	357	361
10°	334	330	339
15°	302	294	308
20°	265	255	271
25°	227	217	234
30°	191	181	199
35°	157	148	162
40°	124	117	126
45°	92	87	93

Distance	NFL - Narrow Flood	FL - Flood	WFL - Wide Flood	VFL - Very Wide Flood
3'	1.73' D; 142 FC	2.15' D; 111 FC	2.97' D; 47 FC	4.22' D; 29 FC
6'	3.46' D; 36 FC	4.31' D; 28 FC	5.94' D; 12 FC	8.43' D; 7 FC
9'	5.20' D; 16 FC	6.46' D; 12 FC	8.92' D; 5 FC	12.65' D; 3 FC
12'	6.93' D; 9 FC	8.62' D; 7 FC	11.89' D; 3 FC	16.87' D; 2 FC
15'	8.66' D; 6 FC	10.77' D; 4 FC	14.86' D; 2 FC	21.08' D; 1 FC

