

# Stretta ST2A-WW

ADJUSTABLE WALL WAS 3"  
LED ARCHITECTURAL DOWNLIGHT

PROJECT \_\_\_\_\_

TYPE \_\_\_\_\_

SPECIFICATION \_\_\_\_\_

The Stretta universal downlight offers the highest output from the smallest aperture. **Stretta** is an Italian phrase meaning "narrow" and "tight", it refers to a musical composition performed with an acceleration in tempo to end in a crescendo. Solais created this light fixture with the perfect combination of features resulting in a sleek, minimalist downlight that makes a statement: elegance in simplicity.



Round and square with beveled flange shown above.

## MAIN FEATURES

- Universal 4" height housing
- Forgiving rotating alignment tabs for perfect installation
- Tool-less and intuitive "hot" aiming
- 40° tilt and 360° rotation for optimal adjustability
- Magnetic arm for tool-less module installation
- Built-in accessory holder for field-replaceable lenses and louvers
- Trims/collars embedded with magnetic poles for easy installation
- Notched collars for easy, precise alignment during installation
- Field-swappable modules
- Fully dimmable
- Enhanced 2-step MacAdams Ellipse color binning standard
- New construction ceilings only
- Tool-less driver assembly

## POWER SUPPLIES

- Universal Input for all drivers: 120 - 277 Vac
- Proprietary Solais Driver (See page 4 for more info)
  - TRIAC, ELV, or 0-10 V Dimming down to 1%
- Lutron Hi-lume® ([click for more info](#))
  - Dimming down to 1.0% with Lutron controls
- eldoLED SOLOdrive® ([click for more info](#))
  - 0-10 V Dimming down to 0.1%

## RATINGS + CERTIFICATIONS

- IC rated
- UL listed for wet locations with lensed trim or wall wash trim
- Spray foam rated
- Chicago Plenum rated
- Title 24 and JA8 compliant
- Airtight per ASTM E283
- Conforms to Washington State Energy Code
- Contain no lead or mercury

## TRIM OFFERINGS

- Shapes: Round or Square
- Ceilings: gypsum, wood, specialty
- Thicknesses: ⅝" gypsum, ¾" for mill work

## TRIM TYPES

- Wall Wash with ⅜" flange
- Wall Wash flangeless

## TRIM COLORS

- Perfect White: RAL 9003
- Black: RAL 9005
- Brown: RAL 8017
- Silver: "brushed aluminum" look
- Primer

## PERFORMANCE

- Input Power and Delivered Lumens
  - 15 W; 1200 lumens
  - 19 W; 1400 lumens
  - 25 W; 2000 lumens

## COLOR RENDERING

- 80+, 90+ or 97+ CRI
- MonoWhite: Solais' exclusive color enhancing technology that intensifies contrast, brightens whites and makes colors pop by bridging the cyan color gap with higher gamut color rendering

## COLOR TEMPERATURES

- Standard: 2200K, 2500K, 2700K, 3000K, 3500K or 4000K
- MonoWhite: 3000K or 3500K
- Dim to Warm: 3000K to 1800K



# Stretta ST2A-WW

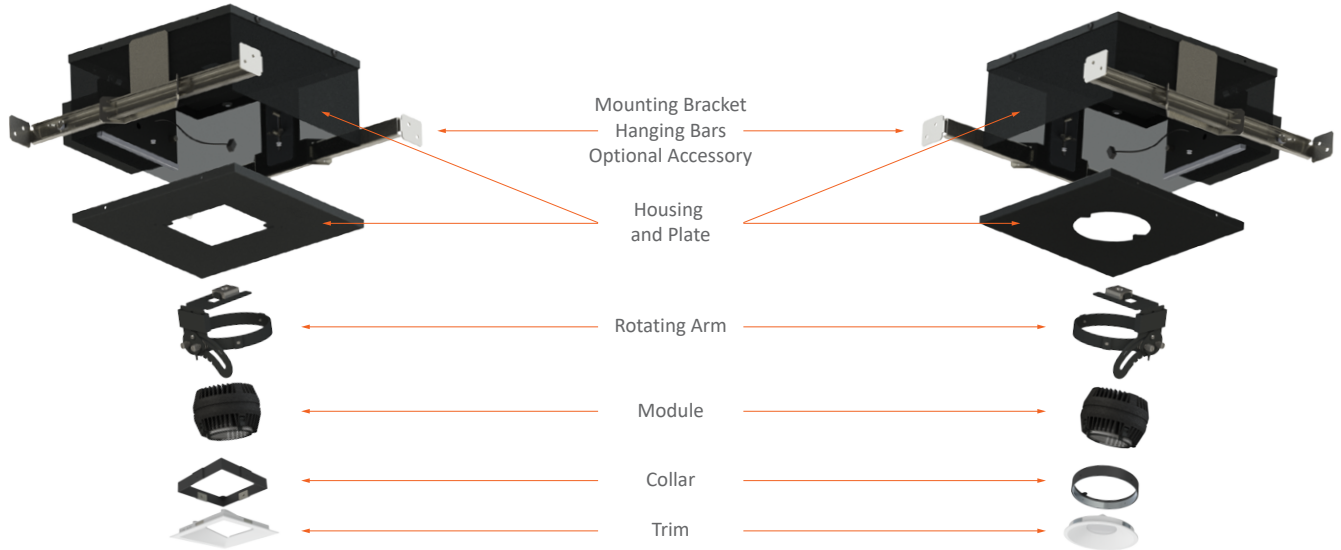
ADJUSTABLE WALL WAS 3"  
LED ARCHITECTURAL DOWNLIGHT

PROJECT \_\_\_\_\_

TYPE \_\_\_\_\_

SPECIFICATION \_\_\_\_\_

## COMPONENT DETAILS



## ORDERING INFORMATION

Example: ST2RA/1/BW/PW/NFL/H27/1200/UNV/EM-MB

<b>Fixture</b> ST2RA Round ST2SA Square	<b>Ceiling Thickness</b> 1 - 3/8" 2 - 3/4" (mill work)	<b>Trim</b> BW Beveled WW with flange BWT Beveled WW flangeless	<b>Trim Cone Finish</b> PW - Perfect White BK - Black BR - Brown SV - Silver PR - Primer	<b>Beam Spread</b> NFL - 24°	<b>CRI</b> 8 - 80+ 39 - 90+ 3H - 97+	<b>CCT</b> 22 - 2200K 25 - 2500K 27 - 2700K 30 - 3000K 35 - 3500K 40 - 4000K  23M - MonoWhite 30 - 3000K 35 - 3500K  12D - Dim to Warm 3018 - 3000K to 1800K 90+ CRI, 1400 lumens only	<b>Delivered Lumens</b> 1200 1400 2000	<b>Options + Accessories</b> EM - Emergency Backup MB - Mounting Bracket Hanging Bars
---	---	---	---	---------------------------------	---	--	---	--

**Power Supply (Univ 120 - 277 V)**  
UNV - Solais 1% Univ Dimming  
ES1 - eldoLED SOLOdrive® 0.1% 0-10 V Dimming  
LDE1 - Lutron Hi-lume® 1.0% Dimming with Lutron controls

\*Consult factory for lead time and availability

Notes: <sup>1</sup>Dim to Warm available with 1400 lumens only.

<sup>2</sup>CRI specification unavailable with MonoWhite or Dim to Warm; 90+ CRI Standard.

<sup>3</sup>MonoWhite and High CRI products produce up to 20% less measured lumens than their standard CCT; Although, perceived lumens will be noticeably higher.

# Stretta ST2A-WW

ADJUSTABLE WALL WAS 3"  
LED ARCHITECTURAL DOWNLIGHT

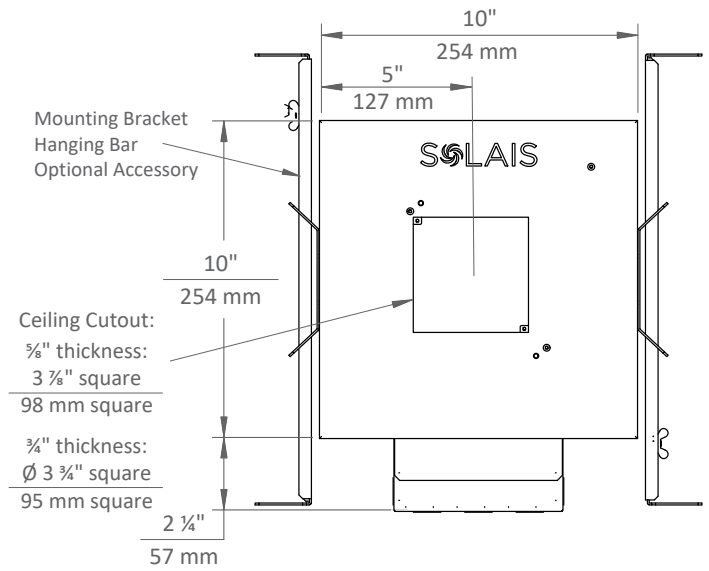
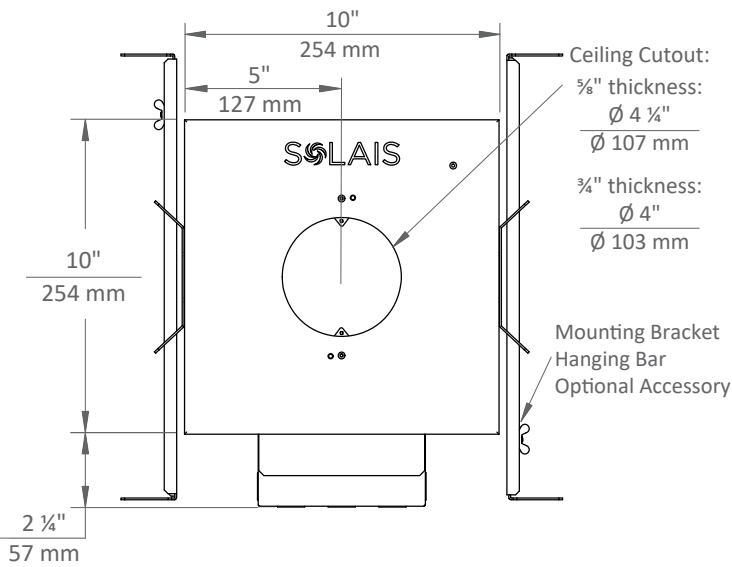
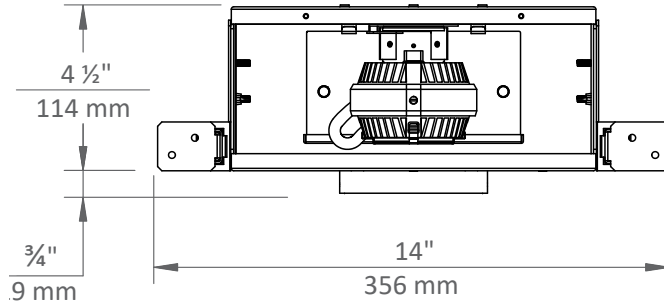
PROJECT \_\_\_\_\_

TYPE \_\_\_\_\_

SPECIFICATION \_\_\_\_\_

## DIMENSIONAL DETAILS

- Fixture Weight: 10.6 lb / 4.8 kg
- Hanging Bars: Optional Accessory  
14 1/8" / 359 mm Minimum  
25 3/4" / 654 mm Maximum

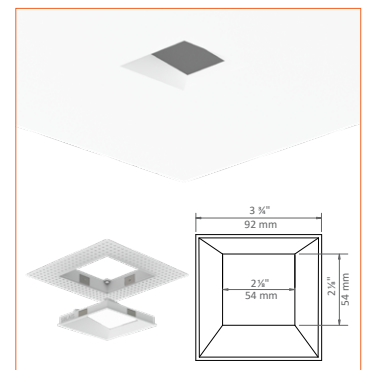
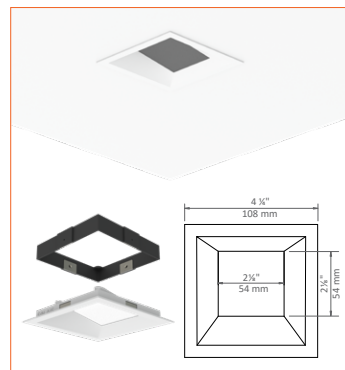
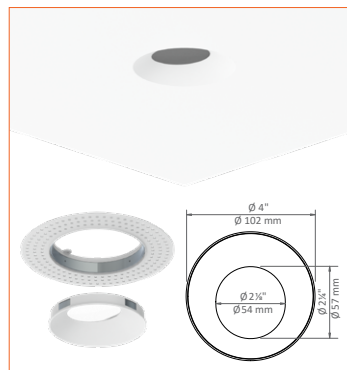
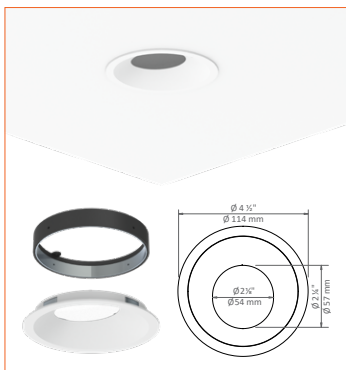


▪ Round Wall Wash with Flange

▪ Round Wall Wash Flangeless

▪ Square Wall Wash with Flange

▪ Square Wall Wash Flangeless



# Stretta ST2A-WW

ADJUSTABLE WALL WAS 3"  
LED ARCHITECTURAL DOWNLIGHT

PROJECT \_\_\_\_\_

TYPE \_\_\_\_\_

SPECIFICATION \_\_\_\_\_

PHOTOMETRIC DETAILS | baseline X output multiplier X cri-cct multiplier = final output

Baseline data shown below for 25 W, 2000 lumens, 80+ CRI , 3000K

**NFL - 24° Narrow Flood**

Input Power: 25.2 W  
Lumens: 1708 lm  
Efficacy: 68 lm/W  
Beam Angle: 26.3°  
Field Angle: 49.9°

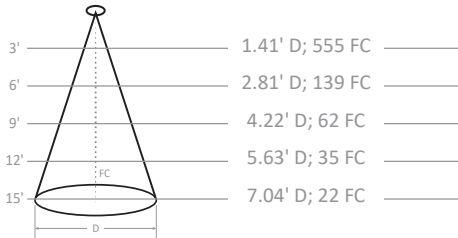
∠	0°	45°	90°
0°	7139	7139	7139
5°	6593	6664	6589
10°	5012	5066	4836
15°	3123	3198	2972
20°	1697	1609	1542
25°	781	600	703
30°	263	200	256
35°	64	64	60
40°	18	10	10
45°	0	0	0

**2 ft. from Wall**

Distance from Ceiling	2 ft. from Wall									
	0.5'	2.5'	4.5'	6.5'	8.5'	10.5'	12.5'	14.5'	16.5'	18.5'
0.9'	0.9	1.9	7.5	10.6	10.8	10.8	9.8	3.9	0.9	
2.5'	2.5	11.8	45.2	64.6	67.5	66.5	57.2	23.8	4.3	
4.5'	3.6	9.3	20.6	29.0	31.5	30.7	25.0	13.4	5.0	
6.5'	3.3	5.7	9.3	12.3	13.5	13.0	10.6	6.9	3.8	
8.5'	2.7	3.8	5.1	6.3	6.9	6.6	5.6	4.2	2.8	
10.5'	2.2	2.8	3.4	3.9	4.2	4.0	3.6	2.9	2.3	
12.5'	1.8	2.1	2.4	2.7	2.9	2.8	2.5	2.1	1.7	

**2 ft. from Wall**

Distance from Ceiling	2 ft. from Wall									
	0.5'	2.5'	4.5'	6.5'	8.5'	10.5'	12.5'	14.5'	16.5'	18.5'
8.4'	8.4	5.8	6.6	5.5	6.6	5.5	6.6	5.3	8.4	
34.1'	34.1	32.4	37.3	32.7	36.6	32.5	36.6	29.6	33.9	
14.5'	14.5	16.4	17.3	16.9	17.2	16.8	16.8	15.2	14.6	
6.5'	6.5	7.6	8.0	8.1	8.1	8.0	7.8	7.2	6.3	
8.5'	3.7	4.2	4.5	4.5	4.6	4.6	4.4	4.1	3.5	
10.5'	2.5	2.8	2.9	3.1	3.1	3.1	3.0	2.7	2.4	
12.5'	1.9	2.0	2.1	2.3	2.3	2.3	2.2	2.0	1.8	



**OUTPUT MULTIPLIER**

Package	Optic	Multiplier
19 W 1400 lm	NSP	0.78
	SP	0.80
	NFL	0.80
	FL	0.80
15 W 1200 lm	NSP	0.63
	SP	0.66
	NFL	0.66
13 W 900 lm	NSP	0.47
	NFL	0.47
	FL	0.47

**CRI-CCT MULTIPLIER**

CRI	CCT	Multiplier
8 (80+)	2200K	0.86
	2500K	0.91
	2700K	0.96
	3000K	1.00
	3500K	1.03
	4000K	1.05
9 (90+)	2200K	0.70
	2500K	0.77
	2700K	0.83
	3000K	0.86
	3500K	0.89
	4000K	0.91

CRI	CCT	Multiplier
H (97+)	2700K	0.66
	3000K	0.71
	3500K	0.75
	4000K	0.77
	3000K	0.86
M (MonoWhite)	3500K	0.88

**FLICKER TESTING**

- Flicker-free across dimming range
- Flicker Index: < 0.05
- Percent Flicker: < 12%
- Short Term Flicker: < 0.04
- Stroboscopic Visibility: < 0.41
- Meets "Low Risk" category of IEEE P1789-2015
- Tested dimmers:
  - TRIAC: Lutron DV-600P-BL
  - ELV: Lutron DVELV-300P-WH
  - 0-10 V: Lutron DVSTV

# Stretta ST2A-WW

ADJUSTABLE WALL WAS 3"  
LED ARCHITECTURAL DOWNLIGHT

PROJECT

TYPE

SPECIFICATION

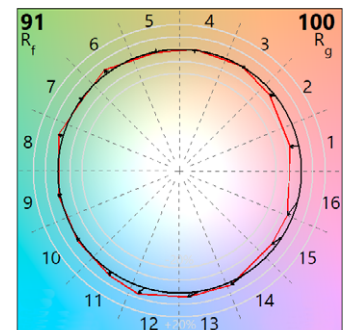
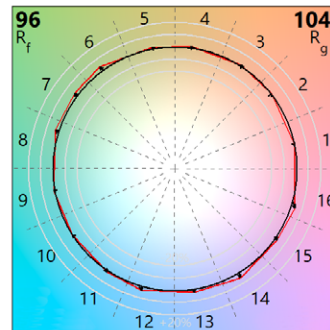
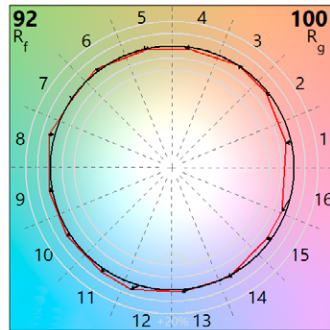
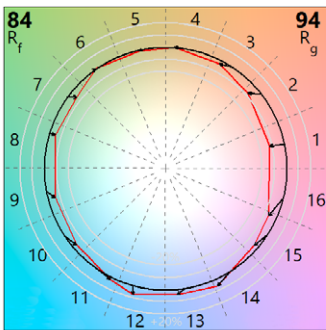
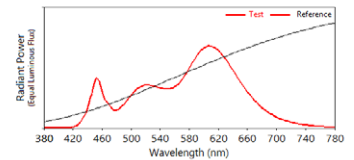
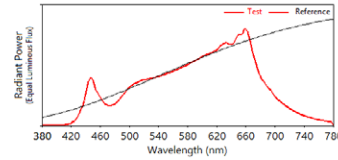
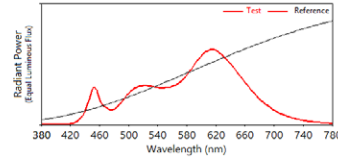
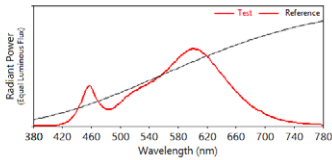
## TM30 COLOR REPORTS

- 3000K with 80+ CRI
- $R_f = 84$ ;  $R_g = 94$
- $R_A = 82$ ;  $R_9 = 11$

- 3000K with 90+ CRI
- $R_f = 92$ ;  $R_g = 100$
- $R_A = 93$ ;  $R_9 = 56$

- 3000K with 97+ CRI
- $R_f = 96$ ;  $R_g = 104$
- $R_A = 97$ ;  $R_9 = 98$

- 3000K with MonoWhite
- $R_f = 91$ ;  $R_g = 100$
- $R_A = 91$ ;  $R_9 = 42$

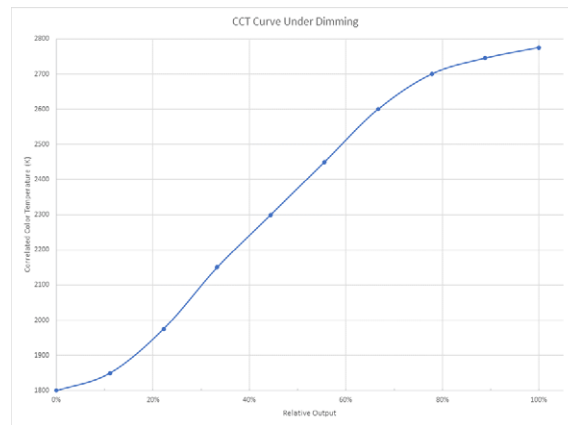
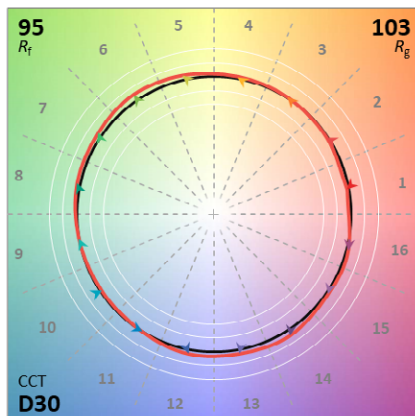


## DIM TO WARM DETAILS | Dim to Warm only available with NFL, FL, and WFL beam spreads @ 19 W; 1400 lumens

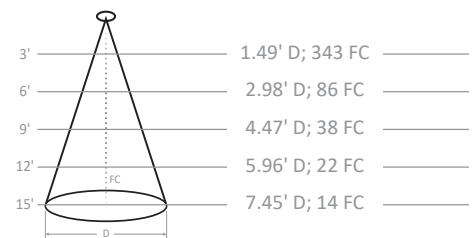
- 3000K to 1800K with 90+ CRI
- $R_f = 95$ ;  $R_g = 103$
- $R_A = 95$ ;  $R_9 = 62$

### NFL - 24° Narrow Flood

Input Power: 18.3 W  
Lumens: 1277 lm  
Efficacy: 70 lm/W  
Beam Angle: 27.9°  
Field Angle: 53.1°



Beam Angle	0°	45°	90°
0°	4410	4410	4410
5°	4262	4250	4150
10°	3388	3404	3243
15°	2218	2252	2097
20°	1234	1269	1166
25°	609	624	577
30°	312	314	289
35°	152	151	141
40°	66	69	65
45°	24	26	25





# Stretta ST2A-WW

ADJUSTABLE WALL WAS 3"  
LED ARCHITECTURAL DOWNLIGHT

PROJECT \_\_\_\_\_

TYPE \_\_\_\_\_

SPECIFICATION \_\_\_\_\_

## SOLAIS PROPRIETARY DRIVER DETAILS (PS-25WUD1-A060)

- Universal Input: 120 - 277 Vac
  - TRIAC, ELV, or 0-10 V Dimming down to 1%
  - LED maintenance indicator for service efficiency
  - Output Voltage: 30-40Vdc
  - Output Current: 280mA / 340mA / 450mA / 600mA
  - PF > 0.9
  - THD < 20%
  - Output Current Precision: +/- 5%
  - Turn On Delay: < 0.5s
  - Short Circuit Protection: Hiccup mode with self-recovery
  - Over Temperature Protection: Reduction to 10% of output current when Ta > 75°C
  - UL 5VA Polycarbonate housing
  - 5 year warranty at Tc < 70C
- Certifications: UL, FCC Part 15, CE, UL8750 Class 2, EN61000-4-5 Surge Immunity, 2.5kV
  - Wire Length
    - L/N: UL1015 18AWG 10.5"
    - LED+/LED-: UL1015 18AWG 10.5"
    - DIM+/DIM-: UL1007 22AWG 10"
  - Dimensions
    - 113 mm x 41.5 mm x 30 mm
    - 4.45" x 1.63" x 1.18"
  - Temperature Range
    - Operating: -20° to 55°C, 10-85% RH
    - Storage: -40° to 85°C, 5-95% RH

## EMERGENCY BACKUP DETAILS

