

PROJECT \_\_\_\_\_ TYPE \_\_\_\_\_

SPECIFIER \_\_\_\_\_ MEMO \_\_\_\_\_

ORDERING CODE BREAKDOWN

## REMODEL | NEW CONSTRUCTION STRETTA ADJUSTABLE 1" DOWNLIGHT

### MAIN FEATURES

- Designed for remodel and new construction installation
- 95 CRI Standard; 98+ CRI option available
- Delivering up to 1000 lumens at 3000K, 95 CRI and 12.5W
- 20° tilt and 360° rotation for optimal adjustability
- Solais' proprietary driver technology delivers smooth, flicker-free dimming (per IEEE 1789-2015)
- Custom TIR optic platform to ensure smooth beams and excellent light control with no need for a solite lens
- Modular platform with easy maintenance for individual components
- 24V remodel applications fully accessible and serviceable below ceiling
- Fixture accommodates up to 2 accessories. (1 per module and trim)



Round, fixed down, flanged and flangeless shown above.

FIXTURE	COLLAR	BAFFLE	BAFFLE FINISH	BEAM SPREAD	CRI	CCT	LUMENS	POWER SUPPLY	INSTALLATION	FIXTURE OPTIONS	OPTIONS
ST1ARM	R1 : Round; 0.5" - 1.0"	FLANGED DF : Down	PW : Perfect White	SP : 20° NFL : 25°	9 : 95 CRI H : 98+ CRI	22 <sup>1</sup> : 2200K 25 <sup>1</sup> : 2500K	600 : 8Wac (6.5Wdc)	UNV : 120-277V, 1% phase-cut/ 0-10V	NCT : New Construction Tray <i>(requires access above ceiling)</i>	CAS <sup>3</sup> : Casambi Wireless Phase-cut Node	HL : Honeycomb Louver
	R2 : Round; 0.5" - 1.5" <i>(for trimless and millwork/hard ceilings)</i>	AF : Adjustable WF : Wallwash  TRIMLESS DT : Down AT : Adjustable WT : Wallwash  MILLWORK/ HARD CEILING DM : Down  AM : Adjustable WM : Wallwash	BK : Black BZ : Bronze SD : Semi-diffused	FL : 34° WFL : 49°		27 : 2700K 30 : 3000K 35 : 3500K 40 : 4000K 50 : 5000K	800 : 10Wac (8.5Wdc)  1000 : 12.5Wac (10.5Wdc)	UDA : 120-277V 0.1% Logarithmic DALI-2 D4i <i>(DT8 standard; for DT6, add in options)</i>  DMX : 120-277V 0.1% DMX <i>(Incompatible with wireless nodes)</i>  UDL : 120-277V, 0.1% Linear 0-10V <i>(Available Q3 2026)</i>  UD1 : 120-277V, 0.1% Logarithmic 0-10V or DALI-2 <i>(Available Q3 2026)</i>  D2D <sup>2</sup> : 24V Remote Driver <i>(Separate specification necessary)</i>	NCC : New Construction Tray with Commercial Hanging Brackets with field-installed vertical adjustment <i>(requires access above ceiling)</i>  RM <sup>2</sup> : Remodel Floating J-box  NFTRM <sup>2</sup> : New Construction Flat Tray with Remodel Floating J-box	AWN <sup>3</sup> : Lutron Athena Wireless DALI-2 Node  LEV <sup>3</sup> : Leviton Intellect DALI-2 Node  WAT <sup>3</sup> : Wattstopper/ Encelium Wireless DALI-2 Node  AVION <sup>4</sup> : Avi-on Wireless Node  EM <sup>5</sup> : 10W Integrated Emergency Battery Backup  DT6 : DALI DT6 <i>(For use with UDA or UD1)</i>  BKF <sup>6</sup> : Black Flange  PWF <sup>6</sup> : Perfect White Flange	LS : Linear Spread Lens  CT : Clear Lens  SS : Solite Spread Lens  WT : Wide Flood Lens

Notes: <sup>1</sup> 2200K, 2500K are only available with '9' and are 90+ CRI  
<sup>2</sup> RM and NFTRM installation options available with D2D 24V Remote Power Supply only.  
<sup>3</sup> Wireless Node Compatibility (Max 1 per power supply): CAS, AWNR, LEV and WATT require UDA, UDL, UD1 or D2D power supply options  
<sup>4</sup> Wireless Node Compatibility (Max 1 per power supply): AVION requires NCT or NCC installation and UDA, UDL, or UD1 power supply options  
<sup>5</sup> EM requires NCT or NCC installation  
<sup>6</sup> Collar color will be matched to trim finish selection. Specify BKF or PWF for 2-tone installation (i.e. PW flange with BK baffle)  
 Solais recommends no lens on trim for best performance

PROJECT	TYPE

## REMODEL | NEW CONSTRUCTION STRETTA ADJUSTABLE 1" DOWNLIGHT

### OPTICS + PERFORMANCE

- 4 custom beam spreads available
  - Spot - 20°
  - Narrow Flood - 25°
  - Flood - 34°
  - Wide Flood - 49°
- 3 performance packages
  - 8Wac (6.5Wdc); 600 lumens
  - 10Wac (8.5Wdc); 800 lumens
  - 12.5Wac (10.5Wdc); 1000 lumens
- Color Temperatures
  - 95 and 98+ CRI: 2200K, 2500K, 2700K, 3000K, 3500K, 4000K, 5000K
  - Dim to Warm: 3000K to 1800K, 2700K to 1800K
- Fixture life:
  - Full power: 50,000 hours
  - 75% power: 100,000 hours
  - Below 50% power: 125,000 hours
  - LED 90% lumen maintenance: 60,000 hours

### TRIM + COLLAR OFFERINGS

- Shapes: Round
- Ceilings: gypsum, wood, t-bar, specialty, other
- Ceiling Thicknesses: ½" - 1", ½" - 1 ½"
- Standard trim colors (*consult factory for custom*):
  - White: RAL 9003
  - Bronze: RAL 8017
  - Black: RAL 9005
  - Semi-diffused Specular
- Flanged, trimless or down wall wash trim options

### POWER + CONTROLS

- Universal Input: 120-277V
- Proprietary Solais driver dimming
  - UNV: Linear 1% Phase-cut or 0-10V
  - UDA: Logarithmic 0.1% DALI-2 D4i DT8; DT6 option
  - DMX: Logarithmic 0.1% DMX
  - UDL: Linear 0.1% 0-10V
  - UD1: Logarithmic 0.1% 0-10V or DALI-2 D4i DT8; DT6 option
  - D2D: 24V remote driver for 1-to-1 or 1-to-many installation  
*(Separate power supply specification necessary)*
- Casambi, Lutron, Leviton, Avi-on, Wattstopper wireless controls

### CONSTRUCTION + FINISH

- Weight XXX lbs. (*remodel*)
- Die-cast aluminum alloy housing for optimal thermal performance

### RATINGS + CERTIFICATIONS

- IC rated for remodel installations (without tray or housing)
- cULus listed for wet locations when utilizing lensed or wall wash trim; else damp and dry listed.
- Intended for normal ambient temperature applications. Consult factory for elevated temperatures or humidity (e.g. steam, hot yoga, etc.)
- Title 24 and JA8 compliant
- Conforms to Washington State Energy Code
- Contain no lead or mercury
- Spray foam rated with housing option (NCH only)
- Chicago Plenum rated with housing option (NCH only)
- Airtight per ASTM E283 with housing option (NCH only)

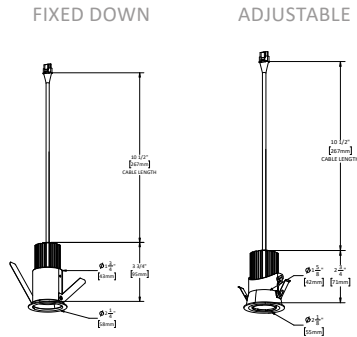
### WARRANTY

- 5-year warranty

### DIMENSIONAL DETAILS

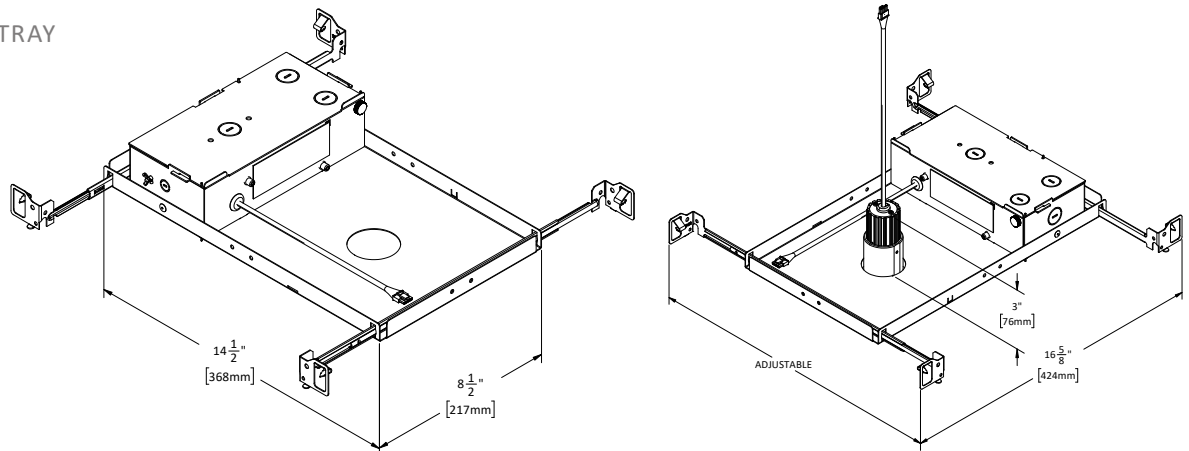
#### RM : REMODEL WITH FLOATING J-BOX

- Ceiling Cutout:  $\varnothing$  2"



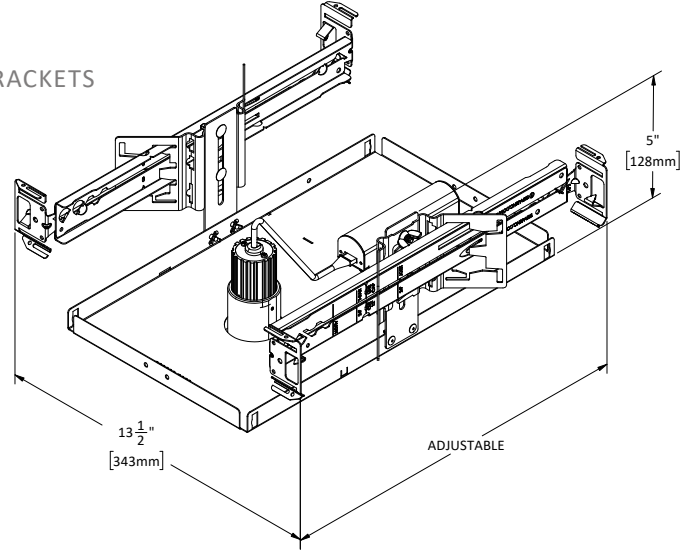
#### NCT : NEW CONSTRUCTION TRAY

- NCT (5.7 lbs.)
- Standard mounting brackets: 14" Minimum to 24" Maximum
- Requires access above ceiling
- Shown with ⅝" ceiling installation



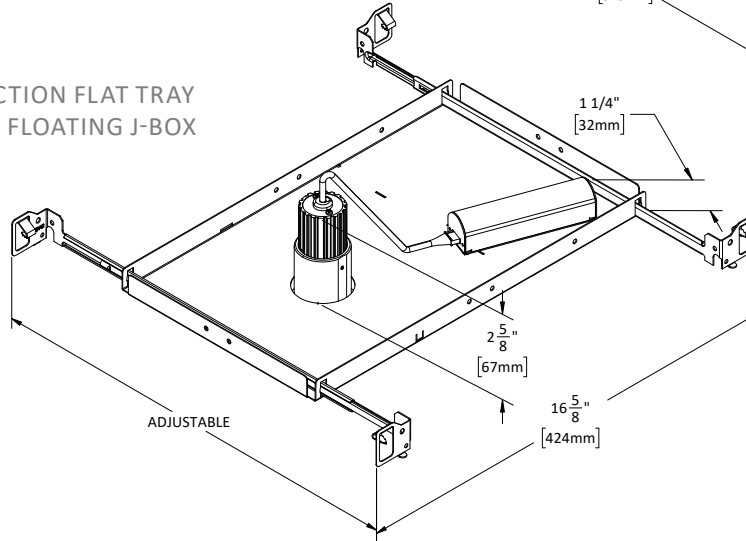
### NCC : NEW CONSTRUCTION TRAY WITH COMMERCIAL HANGING BRACKETS

- NCC (7.2 lbs.)
- Commercial mounting brackets:  
10" Minimum to 24" Maximum  
with field-installed 2 3/4" vertical  
adjustment
- Requires access above ceiling
- Shown with 3/8" ceiling installation



### NFTRM : NEW CONSTRUCTION FLAT TRAY WITH REMODEL FLOATING J-BOX

- Standard mounting brackets:  
14" Minimum to 24" Maximum



### TRIM + COLLAR DETAIL

- A: Outer installation dimension (to include collar)
- B: Aperture dimension
- C: Flange dimension

		FIXED DOWN		ADJUSTABLE	
		DF		AF	
FLANGED		A: 4"   102mm		A: 4"   102mm	
		B: 1 3/4"   35mm		B: 1 3/4"   35mm	
		C: 1/2"   13mm		C: 1/2"   13mm	
FLANGELESS		A: 3"   75mm		A: 3"   75mm	
		B: 1 3/4"   35mm		B: 1 3/4"   35mm	
		C: n/a		C: n/a	

PROJECT	TYPE
---------	------

## REMODEL | NEW CONSTRUCTION STRETTA ADJUSTABLE 1" DOWNLIGHT

**PHOTOMETRIC DETAILS | baseline X output multiplier X cri-cct multiplier = final output**

Baseline data shown below for 12.5Wac, 1000 lumens, 95 CRI , 3000K

**SP - 20° Spot**

Input Power:	12.5 W
Lumens:	954 lm
Efficacy:	76 lm/W
CBCP:	6497 cd
Beam Angle:	20.1°
Field Angle:	36.1°
Spacing Criteria:	0.35
UGR*:	0.0

∠	0°	45°	90°
0°	6497	6497	6497
5°	5857	5857	5857
10°	3639	3639	3639
15°	1470	1470	1470
20°	454	454	454
25°	147	147	147
30°	47	47	47
35°	24	24	24
40°	10	10	10
45°	6	6	6

**NFL - 25° Narrow Flood**

Input Power:	12.5 W
Lumens:	912 lm
Efficacy:	73 lm/W
CBCP:	4045 cd
Beam Angle:	24.9°
Field Angle:	46.7°
Spacing Criteria:	0.44
UGR*:	0.0

∠	0°	45°	90°
0°	4045	4045	4045
5°	3673	3673	3673
10°	2617	2617	2617
15°	1405	1405	1405
20°	645	645	645
25°	286	286	286
30°	97	97	97
35°	38	38	38
40°	13	13	13
45°	7	7	7

**MFL - 34° Medium Flood**

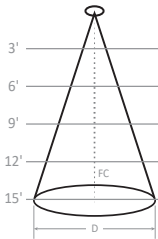
Input Power:	12.5 W
Lumens:	934 lm
Efficacy:	75 lm/W
CBCP:	2565 cd
Beam Angle:	33.9°
Field Angle:	57.7°
Spacing Criteria:	0.61
UGR*:	1.0

∠	0°	45°	90°
0°	2565	2565	2565
5°	2354	2354	2354
10°	1916	1916	1916
15°	1380	1380	1380
20°	856	856	856
25°	475	475	475
30°	206	206	206
35°	78	78	78
40°	30	30	30
45°	12	12	12

**FL - 49° Flood**

Input Power:	12.5 W
Lumens:	955 lm
Efficacy:	76 lm/W
CBCP:	1407 cd
Beam Angle:	48.8°
Field Angle:	74.2°
Spacing Criteria:	0.91
UGR*:	5.8

∠	0°	45°	90°
0°	1407	1407	1407
5°	1285	1285	1285
10°	1124	1124	1124
15°	929	929	929
20°	744	744	744
25°	562	562	562
30°	374	374	374
35°	198	198	198
40°	73	73	73
45°	21	21	21



3'	1.06' D; 722 FC	1.32' D; 450 FC	1.83' D; 285 FC	2.72' D; 156 FC
6'	2.13' D; 181 FC	2.65' D; 112 FC	3.66' D; 71 FC	5.44' D; 39 FC
9'	3.19' D; 80 FC	3.97' D; 50 FC	5.49' D; 32 FC	8.17' D; 17 FC
12'	4.25' D; 45 FC	5.30' D; 28 FC	7.31' D; 18 FC	10.89' D; 10 FC
15'	5.32' D; 29 FC	6.62' D; 18 FC	9.14' D; 11 FC	13.61' D; 6 FC

\*UGR: 4Hx8H, 70/50/20

**OUTPUT MULTIPLIER**

Package	Multiplier
12.5Wac 1000 lm	1.00
10Wac 800 lm	0.87
8Wac 600 lm	0.74

**CRI-CCT MULTIPLIER**

CCT	95 CRI	98+ CRI
2200K	0.80	0.71
2500K	0.85	0.76
2700K	0.92	0.73
3000K	1.00	0.75
3500K	1.04	0.79
4000K	1.05	0.80
5000K	1.06	0.81