

PROJECT _____ TYPE _____

SPECIFIER _____ MEMO _____

ORDERING CODE BREAKDOWN

SDR DROPLIT

SMALL DROPLIT POWERED BY LUCIE
2.5" CANOPY MOUNT PENDANT

MAIN FEATURES

- 95 CRI Standard; 98+ CRI option available
- Modular platform with integrated driver provides easy maintenance for individual components above and below the ceiling
- Solais' proprietary driver technology delivers smooth, flicker-free dimming (per IEEE 1789-2015):
Linear 1% for TRIAC/ELV/0-10V or Logarithmic 0.1% DALI-2
- Custom TIR optic platform to ensure smooth beams and excellent light control with no need for a solite lens
- Low-profile discreet canopy perfect for architectural applications
- Accommodates up to two accessories, plus snoot



Perfect White, Silver + SN, Black + AS

FIXTURE	BEAM SPREAD	CRI	CCT	LUMENS	FINISH	CABLE + CANOPY	CABLE + CANOPY FINISH	POWER SUPPLY	MODULE OPTIONS	FIELD OPTIONS
SDR	VNSP : 9°	9 : 95 CRI	22 : 2200K	700 : 8W	PW : Perfect White	CM1 : Discrete Canopy; 10' cable	PW : Perfect White Canopy and Cable	120P : 120V, 1% phase-cut dimming	AS : Acrylic Snoot	CASPC : Casambi Wireless Phase-cut Node
	NSP : 15°	H : 98+ CRI	25 : 2500K	1000 : 16W	BK : Black	CM2 : Discrete Canopy; 20' cable	BK : Black Canopy and Cable	UNV2 : 120-277V, 1% Phase-cut and 0-10V dimming	SN : Snoot	CAS10 : Casambi Wireless 0-10V Node
	SP : 18°	D : Dim-to-Warm	27 : 2700K	1200 : 11W	SV : Silver	TCM1 : Tall Canopy; 10' cable		UNV3 : 120-277V, 1% Phase-cut and 0-10V dimming	HL : Honeycomb Louver	
	NFL : 23°		30 : 3000K	1600 : 16W	BG : Brushed Gold	TCM2 : Tall Canopy; 20' cable		UNV4 : 120-277V, Log 0.1% DALI-2 D4i DT6/DT8	LS : Linear Spread Lens	
	FL : 36°		35 : 3500K	2000 : 21W	BA : Brushed Aluminum				SS : Solite Spread Lens	
	WFL : 60°		40 : 4000K		CR : Chrome					
			50 : 5000K		BZ : Bronze					
					BC : Black Chrome					
					RC : Rose Gold Chrome					
					GD : Gold					
					GC : Gold Chrome					

Notes: Dim to Warm is 98+ CRI, 1000 lumens only. Unavailable with NSP. 2200K, 2500K, and NSP are only available with '9' and are 90+ CRI. Consult factory for mixing and matching finishes of fixtures and/or snoots

SDR DROPLIT

SMALL DROPLIT POWERED BY LUCIE 2.5" CANOPY MOUNT PENDANT

ELECTRICAL + CONTROLS

- 120V: <1% Phase-cut dimming (*discreet canopy*)
- 120-277V: Linear <1% Phase-cut or 0-10V dimming or Logarithmic 0.1% DALI-2 (*tall canopy*)

CONSTRUCTION + FINISH

- Weight: 1.6 lbs.
- Die-cast aluminum alloy housing for optimal thermal performance
- Field-cutttable cable; 10' provided standard
- Standard finishes (*consult factory for custom*):
 - White: RAL 9003
 - Black: RAL 9005
 - Silver: RAL 7001
- Solais Signature Series finishes also available

OPTICS + PERFORMANCE

- 6 custom beam spreads available
 - Very Narrow Spot - 9°
 - Spot - 18°
 - Flood - 36°
 - Narrow Spot - 15°
 - Narrow Flood- 23°
 - Wide Flood - 60°
- 4 performance packages
 - 8W; 700 lumens (VNSP only)
 - 16W; 1600 lumens
 - 16W; 1000 lumens (Dim to Warm)
 - 21W; 2000 lumens
 - 11W; 1200 lumens
- Color Temperatures
 - 95 and 98+ CRI: 2200K, 2500K, 2700K, 3000K, 3500K, 4000K, 5000K
 - Dim to Warm: 3000K to 1800K
- Fixture life:
 - Full power: 50,000 hours
 - 75% power: 100,000 hours
 - Below 50% power: 125,000 hours
 - LED 90% lumen maintenance (LM90): 60,000 hours

RATINGS + CERTIFICATIONS

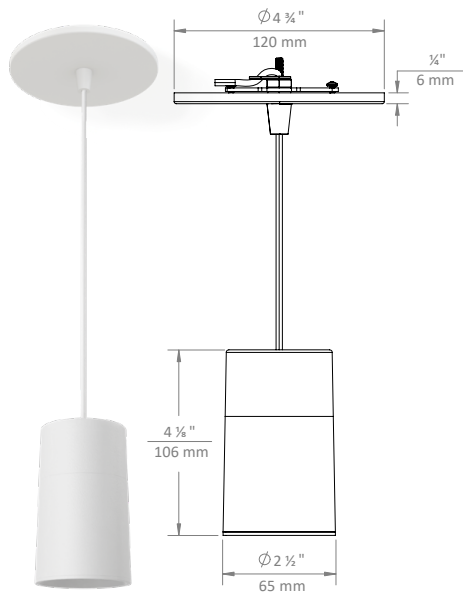
- Meets California Title 24 + JA8
- IP20 and IK08 rated
- UL listed for dry and damp locations (*E485648*)
- Contain no lead or mercury

WARRANTY

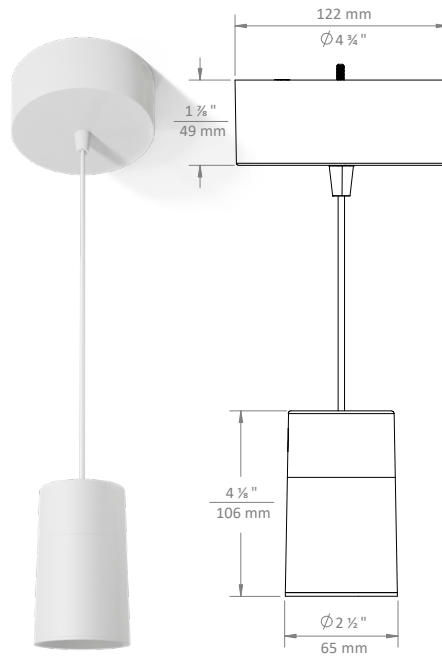
- 5-year warranty

DIMENSIONAL DETAILS

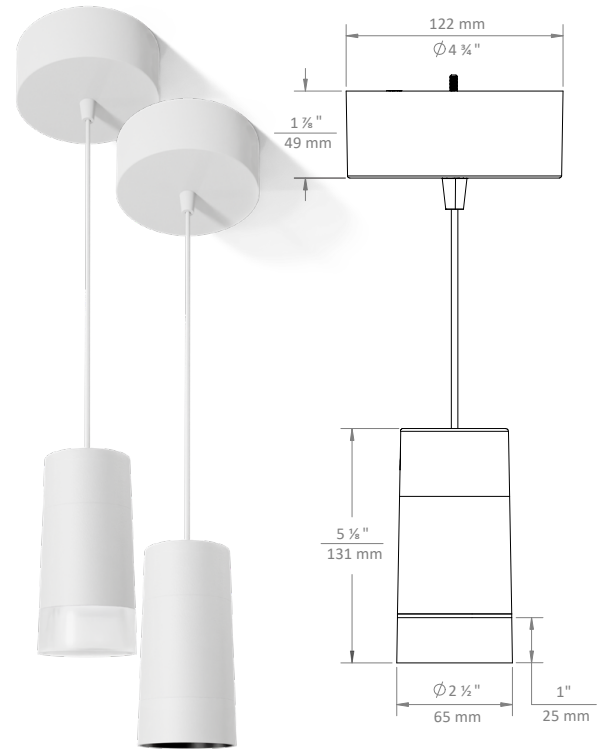
- SDR Discrete Canopy (*VNSP + 1000 lumens*)



- SDR Tall Canopy (*>1000 lumens*)



- SDR w/ Snoot (*AS Acrylic Snoot (left), SN Matching Snoot (right)*)



SIGNATURE SERIES FINISHES (shown with matching snoots)



SDR DROPLIT

SMALL DROPLIT POWERED BY LUCIE
2.5" CANOPY MOUNT PENDANT

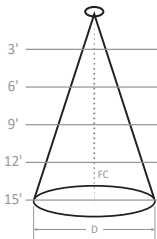
PHOTOMETRIC DETAILS | baseline X output multiplier X cri-cct multiplier = final output

Baseline data shown below for SAR_/_/1/_/_/_/_/_/_/_/_/930/1600/_/_/_/_ — 16W, 1600 lumens, 3000K, 95 CRI

VNSP - 9° Very Narrow Spot

- Input Power: 9W
- Lumens: 575 lm
- Efficacy: 64 lm/W
- CBCP: 12427
- Beam Angle: 9.1°
- Field Angle: 18.7°
- Spacing Criteria: 0.16

∠	0°	45°	90°
0°	12417	12417	12417
5°	5438	5872	6197
10°	1116	1132	1102
15°	488	467	445
20°	198	187	182
25°	96	92	93
30°	55	53	54
35°	35	35	37
40°	23	24	25
45°	14	15	16



3'	0.49' D; 966 FC
6'	0.98' D; 241 FC
9'	1.47' D; 107 FC
12'	1.96' D; 60 FC
15'	2.45' D; 39 FC

NSP - 16° Narrow Spot

- Input Power: 16W
- Lumens: 1242 lm
- Efficacy: 78 lm/W
- CBCP: 12544
- Beam Angle: 16.0°
- Field Angle: 30.5°
- Spacing Criteria: 0.28

∠	0°	45°	90°
0°	12085	12085	12085
5°	9320	10517	11251
10°	4262	5319	6048
15°	1356	1656	2090
20°	389	456	522
25°	140	157	160
30°	70	79	79
35°	39	46	49
40°	23	28	29
45°	12	15	15

3'	0.84' D; 940 FC
6'	1.69' D; 235 FC
9'	2.53' D; 104 FC
12'	3.37' D; 59 FC
15'	4.22' D; 38 FC

SP - 20° Spot

- Input Power: 16W
- Lumens: 1652 lm
- Efficacy: 103 lm/W
- CBCP: 9737
- Beam Angle: 20.6°
- Field Angle: 41.3°
- Spacing Criteria: 0.36

∠	0°	45°	90°
0°	9637	9637	9637
5°	7647	7991	8545
10°	4489	4908	5516
15°	2198	2438	2860
20°	927	1053	1266
25°	351	405	503
30°	135	150	186
35°	65	70	81
40°	38	41	46
45°	20	22	25

3'	1.09' D; 750 FC
6'	2.18' D; 187 FC
9'	3.26' D; 83 FC
12'	4.35' D; 46.8 FC
15'	5.44' D; 30 FC

NFL - 25° Narrow Flood

- Input Power: 16W
- Lumens: 1561 lm
- Efficacy: 98 lm/W
- CBCP: 6640
- Beam Angle: 25.2°
- Field Angle: 47.3°
- Spacing Criteria: 0.45

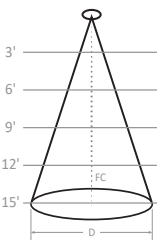
∠	0°	45°	90°
0°	6601	6601	6601
5°	5756	5927	6167
10°	4014	4272	4608
15°	2294	2481	2779
20°	1090	1194	1372
25°	487	520	586
30°	229	238	262
35°	112	116	125
40°	53	54	59
45°	27	28	31

3'	1.34' D; 513 FC
6'	2.68' D; 128 FC
9'	4.02' D; 57 FC
12'	5.35' D; 32 FC
15'	6.69' D; 21 FC

FL - 36° Flood

- Input Power: 16W
- Lumens: 1502 lm
- Efficacy: 94 lm/W
- CBCP: 3267
- Beam Angle: 36.1°
- Field Angle: 67.0°
- Spacing Criteria: 0.65

∠	0°	45°	90°
0°	3237	3237	3237
5°	3035	3103	3191
10°	2616	2725	2864
15°	1932	2058	2277
20°	1263	1365	1555
25°	756	842	944
30°	440	486	540
35°	248	271	301
40°	133	144	161
45°	70	76	85



3'	1.95' D; 252 FC
6'	3.90' D; 63 FC
9'	5.86' D; 28 FC
12'	7.81' D; 16 FC
15'	9.76' D; 10 FC

WFL - 53° Wide Flood

- Input Power: 16W
- Lumens: 1535 lm
- Efficacy: 96 lm/W
- CBCP: 1777
- Beam Angle: 51.9°
- Field Angle: 93.9°
- Spacing Criteria: 0.97

∠	0°	45°	90°
0°	1764	1764	1764
5°	1672	1704	1745
10°	1504	1576	1651
15°	1323	1415	1499
20°	1094	1195	1280
25°	861	933	1006
30°	634	679	737
35°	436	473	515
40°	294	323	353
45°	187	210	238

3'	2.92' D; 137 FC
6'	5.84' D; 34 FC
9'	8.76' D; 15 FC
12'	11.68' D; 9 FC
15'	14.6' D; 6 FC

OUTPUT MULTIPLIER

Package	Multiplier
1200 lumens; 11W	0.81
2000 lumens; 21W	1.26

CRI-CCT MULTIPLIERS

CCT	95 CRI	98+ CRI	MonoWhite
2200K	0.80	0.71	--
2500K	0.85	0.76	--
2700K	0.92	0.73	--
3000K	1.00	0.75	0.86
3500K	1.04	0.79	0.88
4000K	1.05	0.80	--
5000K	1.06	0.81	--

SDR DROPLIT

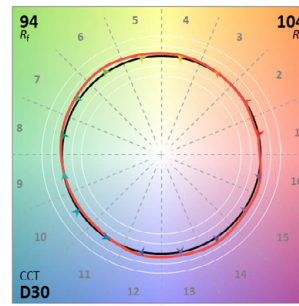
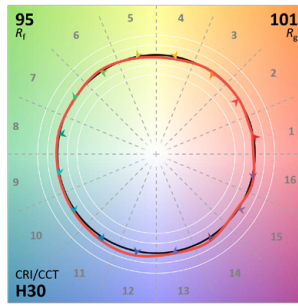
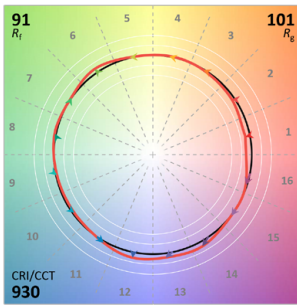
SMALL DROPLIT POWERED BY LUCIE
2.5" CANOPY MOUNT PENDANT

TM30 COLOR REPORTS

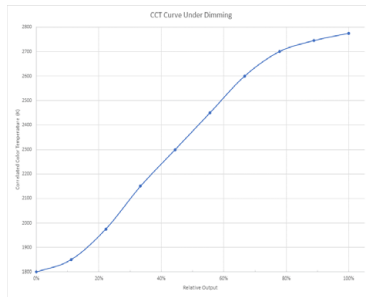
- 3000K with 95 CRI
- $R_A = 95$; $R_g = 62$
- $R_f = 91$; $R_g = 101$

- 3000K with 98+ CRI
- $R_A = 98$; $R_g = 96$
- $R_f = 95$; $R_g = 101$

- 3000K to 1800K with 97+ CRI
- $R_A = 97$; $R_g = 90$
- $R_f = 94$; $R_g = 104$



DIM TO WARM DETAILS | Dim to Warm only available with NFL, FL, and WFL beam spreads @ 16W; 1000 lumens; 97+CRI



SP - 20° Narrow Flood

- Input Power: 16W
- Lumens: 1031 lm
- Efficacy: 64 lm/W
- CBCP: 6547
- Beam Angle: 20.2°
- Field Angle: 39.0°
- Spacing Criteria: 0.36

∠	0°	45°	90°
0°	6541	6541	6541
5°	5463	5575	5721
10°	3208	3300	3479
15°	1450	1441	1544
20°	564	540	569
25°	211	194	210
30°	80	74	81
35°	35	33	36
40°	18	18	19
45°	9	9	10

NFL - 25° Narrow Flood

- Input Power: 16W
- Lumens: 978 lm
- Efficacy: 61 lm/W
- CBCP: 4499
- Beam Angle: 24.6°
- Field Angle: 44.9°
- Spacing Criteria: 0.44

∠	0°	45°	90°
0°	4499	4499	4499
5°	3980	3998	4063
10°	2814	2810	2923
15°	1576	1538	1649
20°	694	688	731
25°	277	271	295
30°	116	116	121
35°	54	56	58
40°	26	27	28
45°	14	14	15

FL - 36° Flood

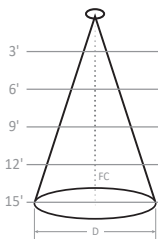
- Input Power: 16W
- Lumens: 938 lm
- Efficacy: 59 lm/W
- CBCP: 2004
- Beam Angle: 36.8°
- Field Angle: 66.9°
- Spacing Criteria: 0.66

∠	0°	45°	90°
0°	2004	2004	2004
5°	1932	1924	1941
10°	1681	1675	1710
15°	1273	1262	1302
20°	842	834	873
25°	505	497	519
30°	289	283	295
35°	161	157	164
40°	85	84	87
45°	45	44	46

WFL - 55° Wide Flood

- Input Power: 16W
- Lumens: 946 lm
- Efficacy: 59 lm/W
- CBCP: 975
- Beam Angle: 56.2°
- Field Angle: 97.2°
- Spacing Criteria: 1.07

∠	0°	45°	90°
0°	954	954	954
5°	905	895	919
10°	848	818	858
15°	777	722	764
20°	676	628	673
25°	553	528	562
30°	425	409	428
35°	304	294	308
40°	211	203	213
45°	137	129	135



3'	1.07' D; 509 FC	1.31' D; 350 FC	1.99' D; 156 FC	3.2' D; 74 FC
6'	2.14' D; 127 FC	2.61' D; 88 FC	3.99' D; 39 FC	6.41' D; 19 FC
9'	3.21' D; 57 FC	3.92' D; 39 FC	5.98' D; 17 FC	9.61' D; 8 FC
12'	4.28' D; 32 FC	5.22' D; 22 FC	7.97' D; 10 FC	12.81' D; 5 FC
15'	5.34' D; 20 FC	6.53' D; 14 FC	9.97' D; 6 FC	16.02' D; 3 FC