

SAR ARRAY

POWERED BY LUCIE
PULL DOWN MULTIPLES

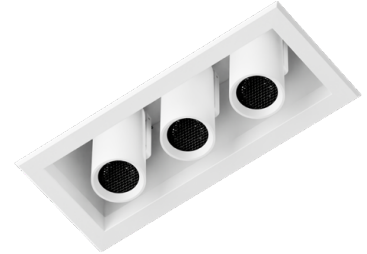
PROJECT _____ TYPE _____

SPECIFIER _____ MEMO _____

ORDERING CODE BREAKDOWN

MAIN FEATURES

- 95 CRI Standard; 98+ CRI option available
- 2 pull-down positions with intuitive tension settings in between
- Up to 359° rotation and 0-35° tilt per head
- Modular platform provides easy maintenance for individual components above and below the ceiling
- Solais' proprietary driver technology delivers smooth, flicker-free dimming (per IEEE 1789-2015) to 1% via phase-cut or 0-10V
- Custom TIR optic platform to ensure excellent light control
- Accommodates up to two accessories, plus snoot, per head



Open Flanged Trim (OF)



FIXTURE	HOUSING FINISH	CEILING THICKNESS	TRIM	TRIM FINISH	BEAM SPREAD	CRI	CCT	LUMENS	POWER SUPPLY	MODULE OPTIONS	TRAY OPTIONS	FIELD OPTIONS
SAR11 : 1-Head	PW : Perfect White	1 : 0.50" to 1.38"	OF : Open Flanged	PW : Perfect White	VNSP : 9°	9 : 95 CRI	22 : 2200K	700 : 8W per head	UNV2 : 120-277V Universal	HL : Honeycomb Louver	[blank] : No tray; for retrofit installations	CASPC : Casambi Wireless Phase-cut Node
SAR12 : 2-Head	BK : Black		OM : Open Microflange	BK : Black	NSP : 13°	H : 98+ CRI	25 : 2500K	1000 : 16W per head	UNV3 : 120-277V Universal	SN : Snoot	NCW : New Construction tray with whip and hanger bars	CAS10 : Casambi Wireless 0-10V Node
SAR13 : 3-Head	BR : Bronze		OT : Open Flangeless	BR : Bronze	SP : 22°	D : Dim-to-Warm	27 : 2700K	1200 : 11W per head		LS : Linear Spread Lens	NCCW : New Construction tray with whip, commercial mounting brackets and hanger bars	EMI-25W : 25W Emergency Microinverter, 120-277V
SAR14 : 4-Head					NFL : 22°		30 : 3000K	1600 : 16W per head		SS : Solite Spread Lens		
					FL : 36°		35 : 3500K	2000 : 21W per head				
					WFL : 61°		40 : 4000K					
							50 : 5000K					

Notes: VNSP only available with 700 lumens
 NSP unavailable with dim-to-warm
 Dim to Warm is 97+ CRI, 1000 lumens only. Unavailable with VNSP/NSP/SP.
 2200K, 2500K, and NSP are only available with '9' and are 90+ CRI
 Flicker-free 0-10V and phase-cut dimming less than 1%

SAR ARRAY

POWERED BY LUCIE
PULL DOWN MULTIPLES

CONSTRUCTION + FINISH

- Weight: SAR11 = 5.25 lbs.; SAR12 = 7 lbs.; SAR13 = 9 lbs.; SAR14 = 11 lbs.
- Die-cast aluminum alloy housing for optimal thermal performance

TRIM + HOUSING

- Integrated safety chain on housing
- Ceilings: gypsum, wood, specialty
- Ceiling Thickness: ½" - 1 ½"
- Standard trim colors (*consult factory for custom*):
 - White: RAL 9003
 - Black: RAL 9005
- Open with ½" flange or flangeless
- Beveled Slotted with ½" flange or flangeless

OPTICS + PERFORMANCE

- 4 performance packages (lumens and wattages listed are per head)
 - 8W; 700 lumens (VNSP only)
 - 16W; 1600 lumens
 - 16W; 1000 lumens (Dim to Warm)
 - 21W; 2000 lumens
 - 11W; 1200 lumens
- 6 custom beam spreads available
 - Very Narrow Spot - 9°
 - Spot - 18°
 - Flood - 36°
 - Narrow Spot - 15°
 - Narrow Flood - 23°
 - Wide Flood - 60°
- Color Temperatures
 - 95 and 98+ CRI: 2200K, 2500K, 2700K, 3000K, 3500K, 4000K, 5000K
 - Dim to Warm: 3000K to 1800K
- Fixture life:
 - Full power: 50,000 hours
 - 75% power: 100,000 hours
 - Below 50% power: 125,000 hours
 - LED 90% lumen maintenance (LM₉₀): 60,000 hours

RATINGS + CERTIFICATIONS

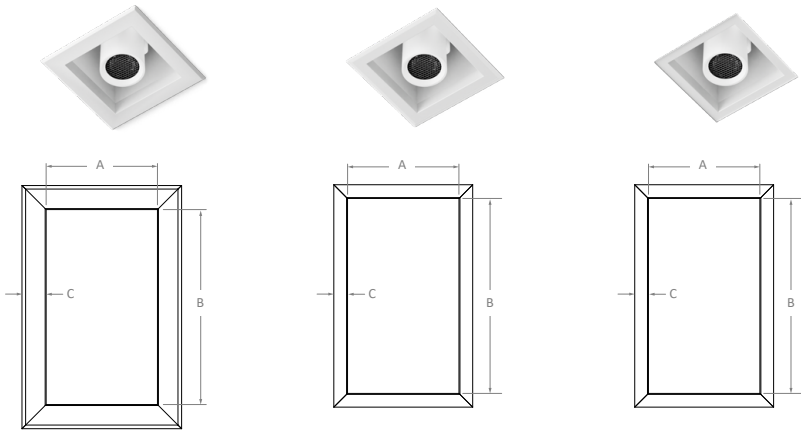
- IC rated
- IP20 and IK08 rated
- UL listed for dry locations (E486938)
- Chicago Plenum rated
- Contain no lead or mercury

ELECTRICAL + CONTROLS

- 120-277V
- TRIAC, ELV and 0-10V dimming to 1%
- WARRANTY**
- 5-year warranty

TRIM DETAILS

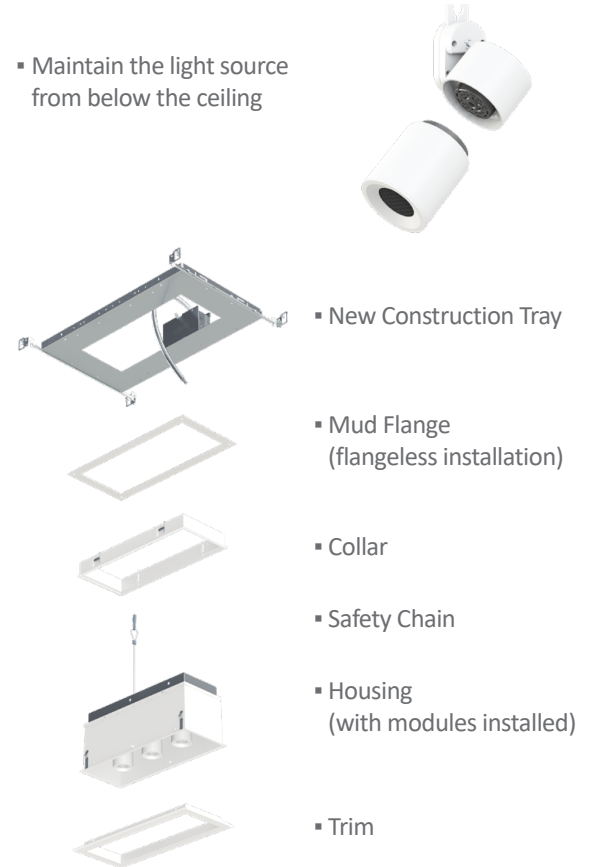
- Open Flange (OF)
- Open Microflange (OM)
- Open Flangeless (OT)



	Open Flange (OF)	Open Microflange (OM)	Open Flangeless (OT)
SAR11	A: 4 5/8" B: 4 5/8" C: 1"	A: 4 5/8" B: 4 5/8" C: 5/8"	A: 4 5/8" B: 4 5/8" C: 5/8"
SAR12	A: 4 5/8" B: 8" C: 1"	A: 4 5/8" B: 8" C: 5/8"	A: 4 5/8" B: 8" C: 5/8"
SAR13	A: 4 5/8" B: 13 1/4" C: 1"	A: 4 5/8" B: 13" C: 5/8"	A: 4 5/8" B: 13" C: 5/8"
SAR14	A: 4 5/8" B: 18 3/8" C: 1"	A: 4 5/8" B: 18 3/8" C: 5/8"	A: 4 5/8" B: 18 3/8" C: 5/8"

MODULE + FIXTURE DETAILS

- Maintain the light source from below the ceiling



SAR ARRAY

POWERED BY LUCIE
PULL DOWN MULTIPLES

DIMENSIONAL DETAILS

NAR11

- Ceiling Cut-out: 6" x 6"
- Weight: 5 lbs.

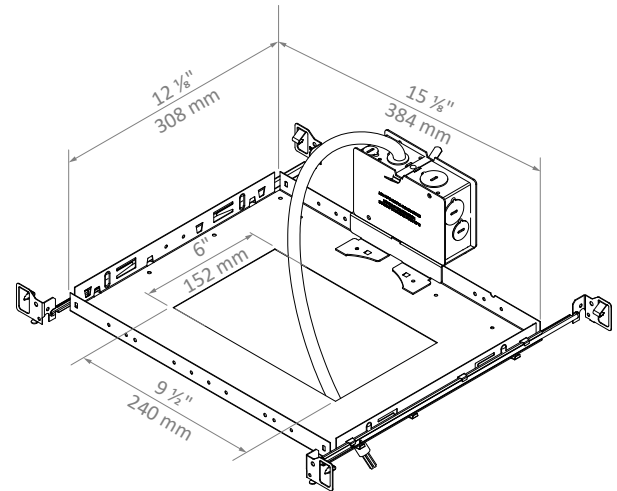
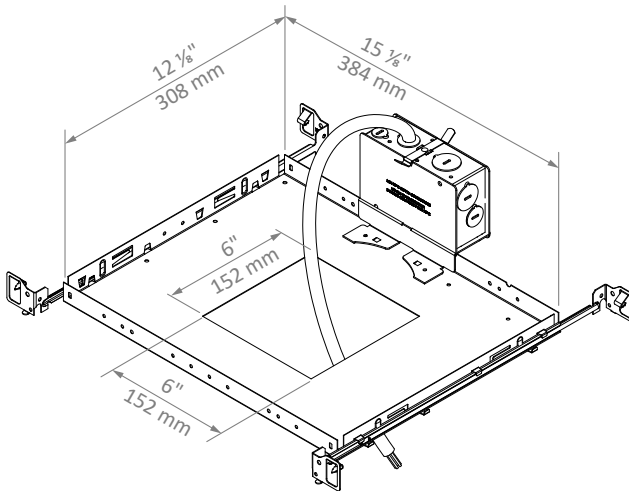
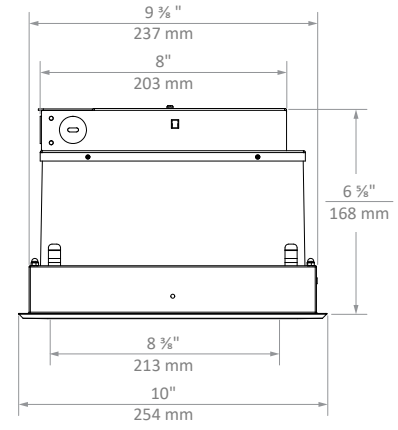
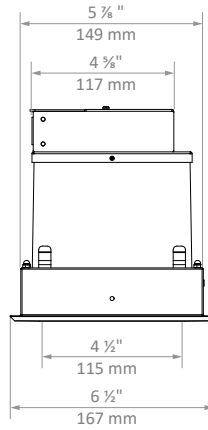
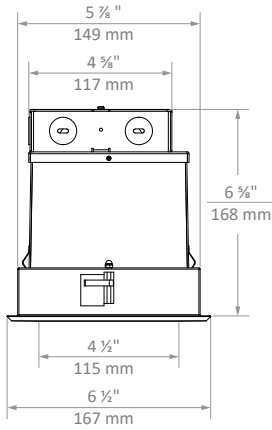


NAR12

- Ceiling Cut-out: 6" x 9 1/2"
- Weight: 6.75 lbs.



Side view for all



- NCW Standard mounting brackets: 14" Minimum to 24" Maximum
- NCCW Commercial mounting brackets: 10" Minimum to 24" Maximum with 2 3/4" vertical adjustment

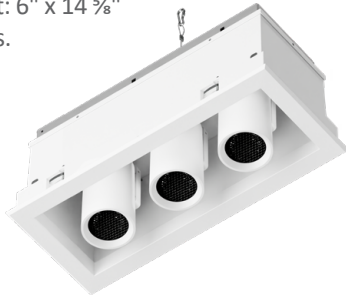
SAR ARRAY

POWERED BY LUCIE
PULL DOWN MULTIPLES

DIMENSIONAL DETAILS

NAR13

- Ceiling Cut-out: 6" x 14 5/8"
- Weight: 8.5 lbs.

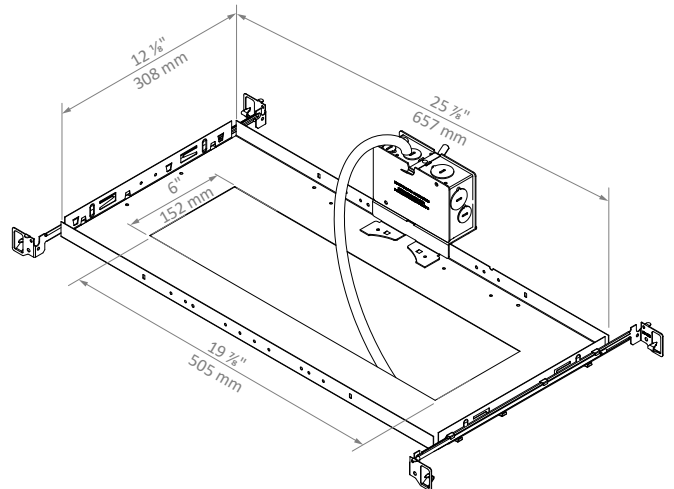
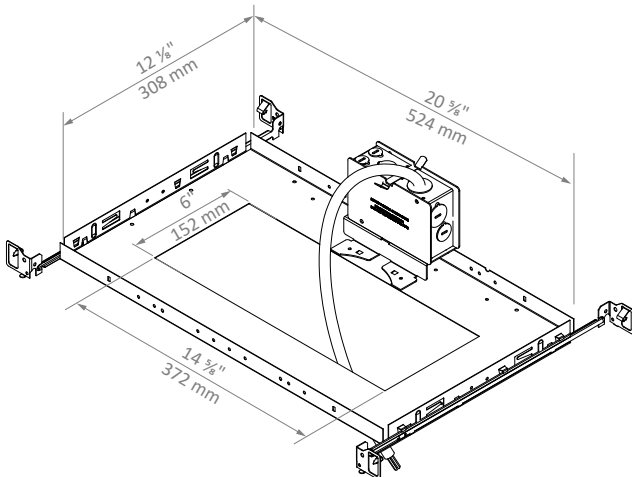
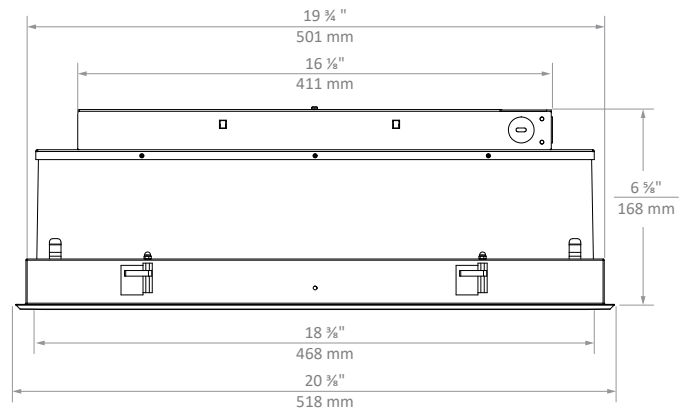
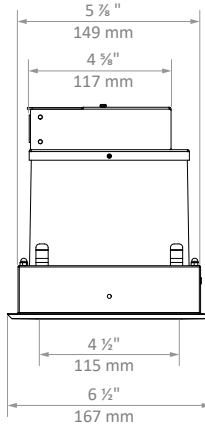
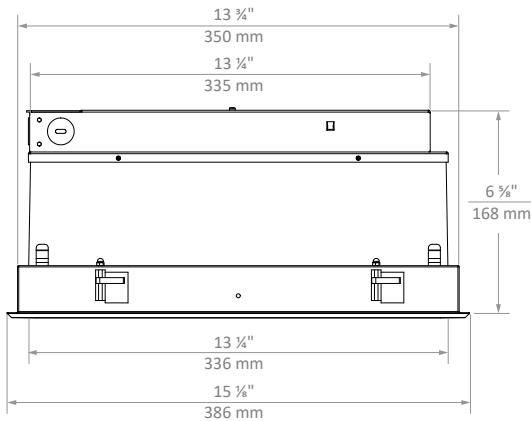


NAR14

- Ceiling Cut-out: 6" x 19 7/8"
- Weight: 10.5 lbs.



Side view for all



- NC + NCW Standard mounting brackets: 14" Minimum to 24" Maximum
- NCC + NCCW Commercial mounting brackets: 10" Minimum to 24" Maximum with 2 3/4" vertical adjustment

PROJECT _____

TYPE _____

PHOTOMETRIC DETAILS | baseline X output multiplier X cri-cct multiplier = final output

Baseline data shown below for SAR_/_/1/_/_/_/_/_/_/_/_/930/1600/_/_/_/_ — 16W, 1600 lumens, 3000K, 95 CRI

VNSP - 9° Very Narrow Spot

- Input Power: 9W
- Lumens: 575 lm
- Efficacy: 64 lm/W
- CBCP: 12427
- Beam Angle: 9.1°
- Field Angle: 18.7°
- Spacing Criteria: 0.16

∠	0°	45°	90°
0°	12417	12417	12417
5°	5438	5872	6197
10°	1116	1132	1102
15°	488	467	445
20°	198	187	182
25°	96	92	93
30°	55	53	54
35°	35	35	37
40°	23	24	25
45°	14	15	16

NSP - 16° Narrow Spot

- Input Power: 16W
- Lumens: 1242 lm
- Efficacy: 78 lm/W
- CBCP: 12544
- Beam Angle: 16.0°
- Field Angle: 30.5°
- Spacing Criteria: 0.28

∠	0°	45°	90°
0°	12085	12085	12085
5°	9320	10517	11251
10°	4262	5319	6048
15°	1356	1656	2090
20°	389	456	522
25°	140	157	160
30°	70	79	79
35°	39	46	49
40°	23	28	29
45°	12	15	15

SP - 20° Spot

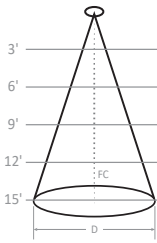
- Input Power: 16W
- Lumens: 1652 lm
- Efficacy: 103 lm/W
- CBCP: 9737
- Beam Angle: 20.6°
- Field Angle: 41.3°
- Spacing Criteria: 0.36

∠	0°	45°	90°
0°	9637	9637	9637
5°	7647	7991	8545
10°	4489	4908	5516
15°	2198	2438	2860
20°	927	1053	1266
25°	351	405	503
30°	135	150	186
35°	65	70	81
40°	38	41	46
45°	20	22	25

NFL - 25° Narrow Flood

- Input Power: 16W
- Lumens: 1561 lm
- Efficacy: 98 lm/W
- CBCP: 6640
- Beam Angle: 25.2°
- Field Angle: 47.3°
- Spacing Criteria: 0.45

∠	0°	45°	90°
0°	6601	6601	6601
5°	5756	5927	6167
10°	4014	4272	4608
15°	2294	2481	2779
20°	1090	1194	1372
25°	487	520	586
30°	229	238	262
35°	112	116	125
40°	53	54	59
45°	27	28	31



3'	0.49' D; 966 FC
6'	0.98' D; 241 FC
9'	1.47' D; 107 FC
12'	1.96' D; 60 FC
15'	2.45' D; 39 FC

3'	0.84' D; 940 FC
6'	1.69' D; 235 FC
9'	2.53' D; 104 FC
12'	3.37' D; 59 FC
15'	4.22' D; 38 FC

3'	1.09' D; 750 FC
6'	2.18' D; 187 FC
9'	3.26' D; 83 FC
12'	4.35' D; 46.8 FC
15'	5.44' D; 30 FC

3'	1.34' D; 513 FC
6'	2.68' D; 128 FC
9'	4.02' D; 57 FC
12'	5.35' D; 32 FC
15'	6.69' D; 21 FC

FL - 36° Flood

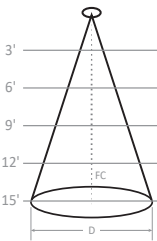
- Input Power: 16W
- Lumens: 1502 lm
- Efficacy: 94 lm/W
- CBCP: 3267
- Beam Angle: 36.1°
- Field Angle: 67.0°
- Spacing Criteria: 0.65

∠	0°	45°	90°
0°	3237	3237	3237
5°	3035	3103	3191
10°	2616	2725	2864
15°	1932	2058	2277
20°	1263	1365	1555
25°	756	842	944
30°	440	486	540
35°	248	271	301
40°	133	144	161
45°	70	76	85

WFL - 53° Wide Flood

- Input Power: 16W
- Lumens: 1535 lm
- Efficacy: 96 lm/W
- CBCP: 1777
- Beam Angle: 51.9°
- Field Angle: 93.9°
- Spacing Criteria: 0.97

∠	0°	45°	90°
0°	1764	1764	1764
5°	1672	1704	1745
10°	1504	1576	1651
15°	1323	1415	1499
20°	1094	1195	1280
25°	861	933	1006
30°	634	679	737
35°	436	473	515
40°	294	323	353
45°	187	210	238



3'	1.95' D; 252 FC
6'	3.90' D; 63 FC
9'	5.86' D; 28 FC
12'	7.81' D; 16 FC
15'	9.76' D; 10 FC

3'	2.92' D; 137 FC
6'	5.84' D; 34 FC
9'	8.76' D; 15 FC
12'	11.68' D; 9 FC
15'	14.6' D; 6 FC

OUTPUT MULTIPLIER

Package	Multiplier
1200 lumens; 11W	0.81
2000 lumens; 21W	1.26

CRI-CCT MULTIPLIERS

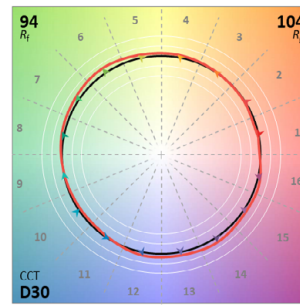
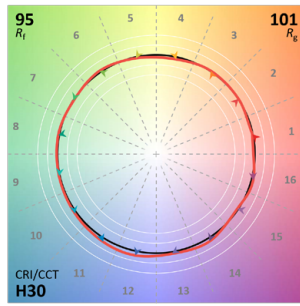
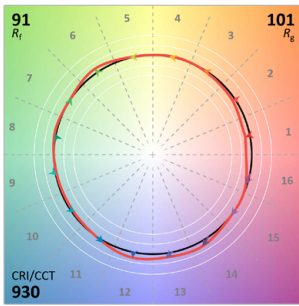
CCT	95 CRI	98+ CRI	MonoWhite
2200K	0.80	0.71	--
2500K	0.85	0.76	--
2700K	0.92	0.73	--
3000K	1.00	0.75	0.86
3500K	1.04	0.79	0.88
4000K	1.05	0.80	--
5000K	1.06	0.81	--

PROJECT _____

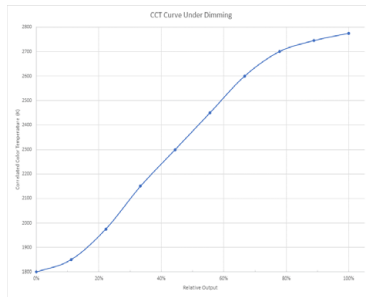
TYPE _____

TM30 COLOR REPORTS

- 3000K with 95 CRI
 - $R_A = 95$; $R_g = 62$
 - $R_f = 91$; $R_g = 101$
- 3000K with 98+ CRI
 - $R_A = 98$; $R_g = 96$
 - $R_f = 95$; $R_g = 101$
- 3000K to 1800K with 97+ CRI
 - $R_A = 97$; $R_g = 90$
 - $R_f = 94$; $R_g = 104$



DIM TO WARM DETAILS | Dim to Warm only available with NFL, FL, and WFL beam spreads @ 16W; 1000 lumens; 97+CRI



SP - 20° Narrow Flood

- Input Power: 16W
- Lumens: 1031 lm
- Efficacy: 64 lm/W
- CBCP: 6547
- Beam Angle: 20.2°
- Field Angle: 39.0°
- Spacing Criteria: 0.36

∠	0°	45°	90°
0°	6541	6541	6541
5°	5463	5575	5721
10°	3208	3300	3479
15°	1450	1441	1544
20°	564	540	569
25°	211	194	210
30°	80	74	81
35°	35	33	36
40°	18	18	19
45°	9	9	10

NFL - 25° Narrow Flood

- Input Power: 16W
- Lumens: 978 lm
- Efficacy: 61 lm/W
- CBCP: 4499
- Beam Angle: 24.6°
- Field Angle: 44.9°
- Spacing Criteria: 0.44

∠	0°	45°	90°
0°	4499	4499	4499
5°	3980	3998	4063
10°	2814	2810	2923
15°	1576	1538	1649
20°	694	688	731
25°	277	271	295
30°	116	116	121
35°	54	56	58
40°	26	27	28
45°	14	14	15

FL - 36° Flood

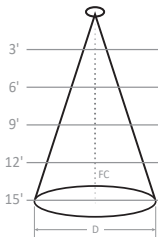
- Input Power: 16W
- Lumens: 938 lm
- Efficacy: 59 lm/W
- CBCP: 2004
- Beam Angle: 36.8°
- Field Angle: 66.9°
- Spacing Criteria: 0.66

∠	0°	45°	90°
0°	2004	2004	2004
5°	1932	1924	1941
10°	1681	1675	1710
15°	1273	1262	1302
20°	842	834	873
25°	505	497	519
30°	289	283	295
35°	161	157	164
40°	85	84	87
45°	45	44	46

WFL - 55° Wide Flood

- Input Power: 16W
- Lumens: 946 lm
- Efficacy: 59 lm/W
- CBCP: 975
- Beam Angle: 56.2°
- Field Angle: 97.2°
- Spacing Criteria: 1.07

∠	0°	45°	90°
0°	954	954	954
5°	905	895	919
10°	848	818	858
15°	777	722	764
20°	676	628	673
25°	553	528	562
30°	425	409	428
35°	304	294	308
40°	211	203	213
45°	137	129	135



Height	SP - 20°	NFL - 25°	FL - 36°	WFL - 55°
3'	1.07' D; 509 FC	1.31' D; 350 FC	1.99' D; 156 FC	3.2' D; 74 FC
6'	2.14' D; 127 FC	2.61' D; 88 FC	3.99' D; 39 FC	6.41' D; 19 FC
9'	3.21' D; 57 FC	3.92' D; 39 FC	5.98' D; 17 FC	9.61' D; 8 FC
12'	4.28' D; 32 FC	5.22' D; 22 FC	7.97' D; 10 FC	12.81' D; 5 FC
15'	5.34' D; 20 FC	6.53' D; 14 FC	9.97' D; 6 FC	16.02' D; 3 FC