

PROJECT

SPECIFIER

SPECIFICATION

TYPE

MAIN FEATURES

- Designed for recessed flangeless applications with ½" gypsum
- Designed for linear luminaires to extend past the track and trackhead adapters to sit flush
- Great for use in architectural and high-end applications
- Field-cuttable for custom lengths

RATINGS + CERTIFICATIONS

- UL Certified for dry locations
- RoHS-compliant
- Designed for use with Solais® Scatto™ fixtures and components

ELECTRICAL + SAFETY

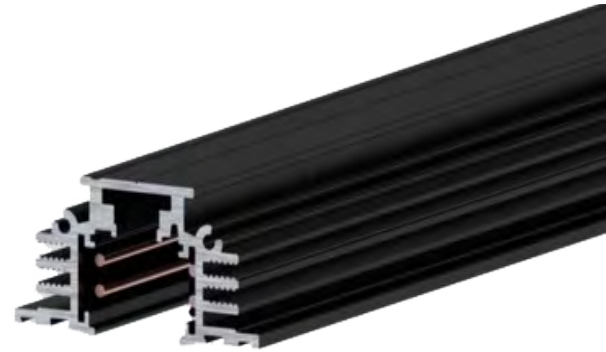
- 48V, +/- 2A
- 96W maximum load

CONSTRUCTION + FINISH

- Extruded aluminum construction standard finish in black (RAL 9005)
- Insulated extruded body in PVC
- Solid copper conductors

WARRANTY

- 3-year warranty



Ordering Information



Finish
BK - Black

Scatto Type + Length

- SC31-RT-4 - 4ft. Recessed flangeless, gypsum
- SC31-RT-8 - 8ft. Recessed flangeless, gypsum



Finish
BK - Black

SC31-RT Accessories

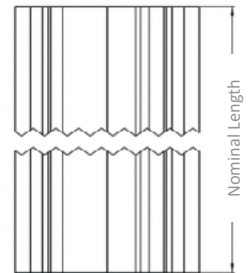
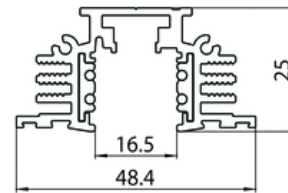
- SC-UM-TCV - Track Cover
- SC-RT-ECC - End Cap
- SC-RT-HMC - Horizontal Mechanical Corner Joint
- SC-RT-EMC - External Vertical Mechanical Corner Joint
- SC-RT-IMC - Internal Vertical Mechanical Corner Joint
- SC-RT-TCB - Trimless Ceiling Bracket
- SC-UM-SRB - Straight Reinforcing Bracket
- SC-UM-TCT - Conductor Cutting Tool



Finish
BK - Black

SC31 Connectors

- SC31-UM-EFR - End feed, Right Polarity
- SC31-UM-EFL - End feed, Left Polarity
- SC31-UM-SJC - Straight Joining Connector
- SC31-UM-SIC - Straight Insulating Connector
- SC31-UM-LFI - 'L' live feed, Inner Polarity
- SC31-UM-LFO - 'L' live feed, Outer Polarity
- SC31-UM-TOL - 'T' live feed, Outer/Left Polarity
- SC31-UM-TOR - 'T' live feed, Outer/Right Polarity
- SC31-UM-TIL - 'T' live feed, Inner/Left Polarity
- SC31-UM-TIR - 'T' live feed, Inner/Right Polarity
- SC31-UM-XFC - 'X' live feed
- SC31-UM-ACR - Adjustable Connector


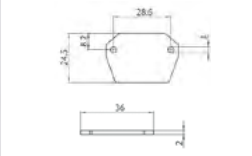

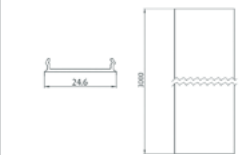

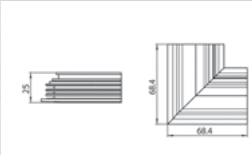

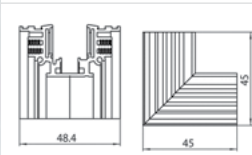

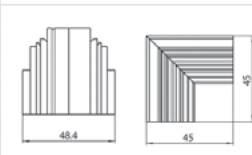

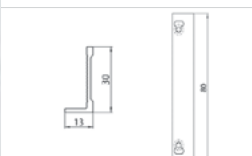

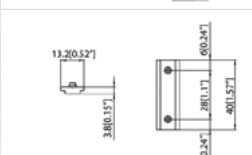



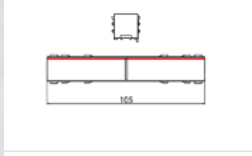

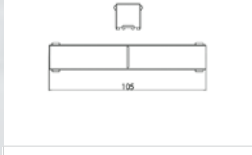



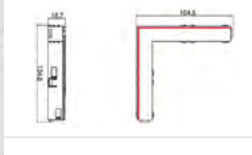

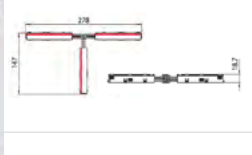

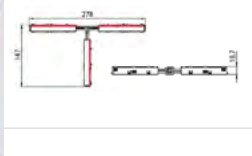

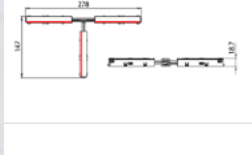



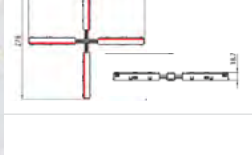

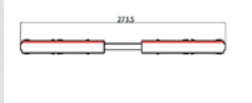
PROJECT _____

SPECIFIER _____

SPECIFICATION _____

TYPE _____

Accessories		
SC-RT-ECC End Cap <i>Metal end cap;</i>		
SC-UM-TCV Aesthetic Track Cover <i>PMMA; Field-cutttable, 118 1/2" 3000 mm</i>		
SC-RT-HMC Horizontal Mechanical Corner Joint <i>PMMA</i>		
SC-RT-EMC External Vertical Mechanical Corner Joint <i>PMMA</i>		
SC-RT-IMC Internal Vertical Mechanical Corner Joint <i>PMMA</i>		
SC-RT-TCB Trimless Ceiling Bracket <i>Raw aluminum; Supplied with screws (not mounted)</i>		
SC-UM-SRB Reinforcing Bracket <i>Aluminum joining connector</i>		

Scatto Connector		
SC31-UM-SJC Straight Joining Connector <i>Polycarbonate body, copper alloy contacts</i>		
SC31-UM-SIC Joining Insulating Connector, Mechanical <i>Polycarbonate body</i>		
SC31-UM-LFI 'L' live feed, Inner Polarity <i>Polycarbonate body, copper alloy contacts</i>		
SC31-UM-LFO 'L' live feed, Outer Polarity <i>Polycarbonate body, copper alloy contacts</i>		
SC31-UM-TOL 'T' live feed, Outer/Left Polarity <i>Polycarbonate body, copper alloy contacts, 2 PMMA covers</i>		
SC31-UM-TOR 'T' live feed, Outer/Right Polarity <i>Polycarbonate body, copper alloy contacts, 2 PMMA covers</i>		
SC31-UM-TIL 'T' live feed, Inner/Left Polarity <i>Polycarbonate body, copper alloy contacts, 2 PMMA covers</i>		
SC31-UM-TIR 'T' live feed, Inner/Right Polarity <i>Polycarbonate body, copper alloy contacts, 2 PMMA covers</i>		
SC31-UM-XFC 'X' live feed <i>Polycarbonate body, copper alloy contacts, 3 PMMA covers</i>		
SC31-UM-ACR Adjustable Connector <i>Polycarbonate body, copper alloy contacts</i>		

Scatto Connector		
SC31-UM-EFL End feed, Left Polarity <i>Polycarbonate body, copper alloy contacts</i>		
SC31-UM-EFR End feed, Right Polarity <i>Polycarbonate body, copper alloy contacts</i>		

