

SCL Adjustable

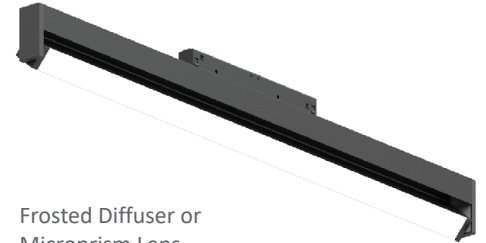
SCATTO 48 V TRACK SYSTEM UPLIGHTING | DOWNLIGHTING

PROJECT _____

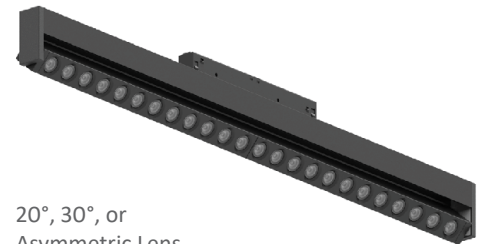
TYPE _____

SPECIFICATION _____

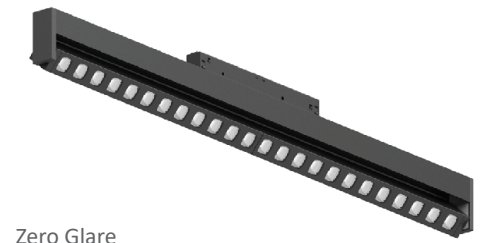
- 48 V low voltage; designed for use with Solais® Scatto™ system
- Aluminum body with polycarbonate optics; Polyamide cover as applicable
- 50,000 hours (L90)
- 0-10 V dimming to 1%
- UL and CE Listed for dry locations
- Toolless 'click in' and 'click out' mechanical installation
- Scatto Adjustable and Adjustable linear luminaires offer multiple optic selections
- 3 year warranty



Frosted Diffuser or
Microprism Lens



20°, 30°, or
Asymmetric Lens



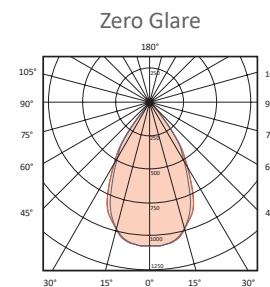
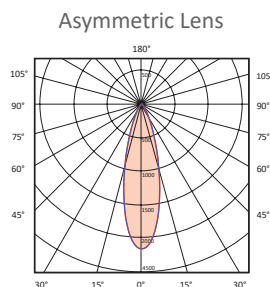
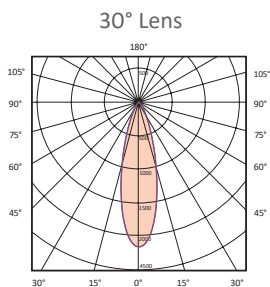
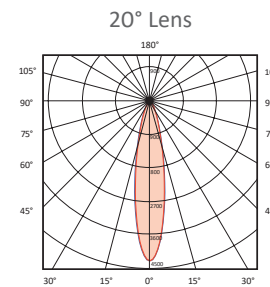
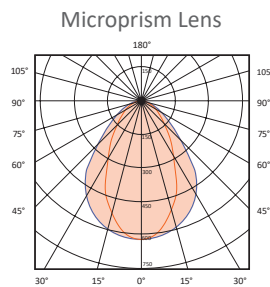
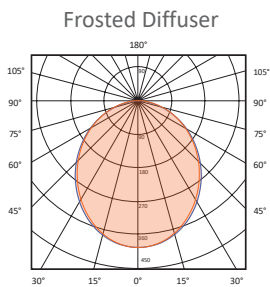
Zero Glare

Ordering Information

Example: SCL2/3/D/A/H30/BK

Fixture	Voltage 3 - 48 V	Type A - Adjustable	Optic	CRI + CCT	Finish Color BK - Black PW* - White
SCL1 SCL2 SCL3			FD - Frosted Diffuser ML - Microprism Lens	927 - 90+ CRI, 2700K 930 - 90+ CRI, 3000K 940 - 90+ CRI, 4000K	
SCL1 SCL2 SCL3			20 - 20° Lens 30 - 30° Lens A - 26° x 42° Asymmetric Lens ZGL - Zero Glare Low Output	H27 - 95+ CRI, 2700K H30 - 95+ CRI, 3000K H40 - 95+ CRI, 4000K	
SCLm SCL1			ZGM - Zero Glare Medium Output	927 - 90+ CRI, 2700K 930 - 90+ CRI, 3000K 940 - 90+ CRI, 4000K	
SCL1			ZGH - Zero Glare High Output	H27 - 95+ CRI, 2700K H30 - 95+ CRI, 3000K H40 - 95+ CRI, 4000K	

*Consult factory for lead time and availability.



SCL Adjustable

SCATTO 48 V TRACK SYSTEM UPLIGHTING | DOWNLIGHTING

PROJECT _____

TYPE _____

SPECIFICATION _____

Fixture	Length	Weight (lbs)	Optic	Output Beam	Power (W)	Delivered Lumens	CBCP (candela)
SCL1	12 1/4" — 310 mm	0.8	Frosted Diffuser	101°	6.0	490	190
			Microprism Lens	57° x 86°	6.0	344	211
		0.9	20° Lens	20°	5.2	389	1598
			30° Lens	27°	5.2	414	1322
			Asymmetric Lens	26° x 42°	5.2	358	815
			Zero glare, low output	66°	5.2	412	399
			Zero glare, medium output	66°	11.4	1007	1096
			Zero glare, high output	66°	16.7	1403	1532
SCL2	23 1/4" — 590 mm	1.3	Frosted Diffuser	101°	11.9	1005	389
			Microprism Lens	57° x 86°	11.9	704	434
		1.5	20° Lens	20°	9.9	777	3193
			30° Lens	27°	9.9	828	2643
			Asymmetric Lens	26° x 42°	9.9	716	1631
			Zero glare, low output	66°	9.9	825	801
SCL3	34 1/4" — 870 mm	1.9	Frosted Diffuser	101°	17.8	1508	584
			Microprism Lens	57° x 86°	17.8	1057	651
		2.2	20° Lens	20°	14.5	1167	4793
			30° Lens	27°	14.5	1241	3963
			Asymmetric Lens	26° x 42°	14.5	1075	2448
			Zero glare, low output	66°	14.5	1236	1198
SCLm	4" — 123 mm	0.4	Zero glare, medium output	66°	16.7	1403	1532

SCL Adjustable

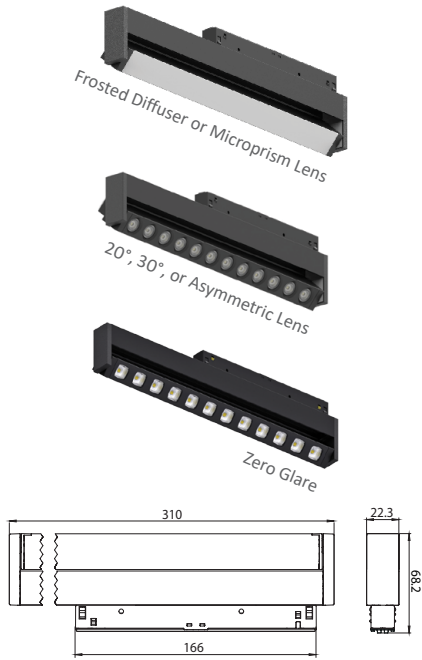
SCATTO 48 V TRACK SYSTEM
UPLIGHTING | DOWNLIGHTING

PROJECT _____

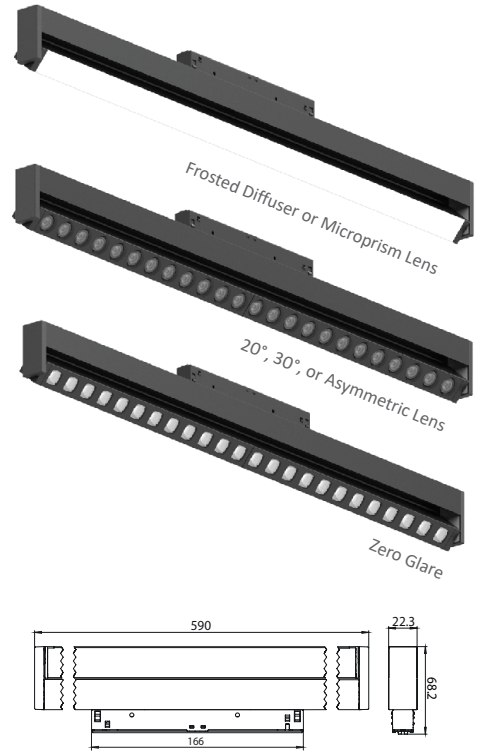
TYPE _____

SPECIFICATION _____

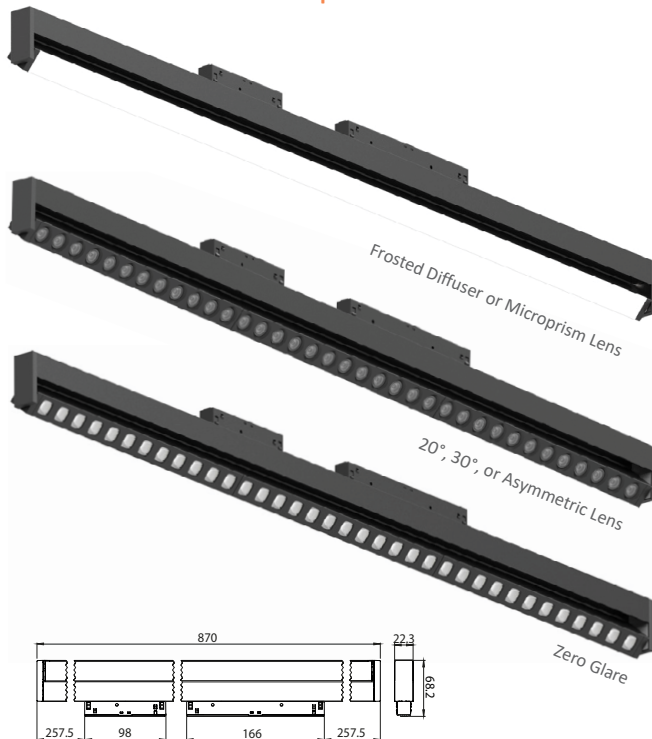
SCL1 | 1 foot



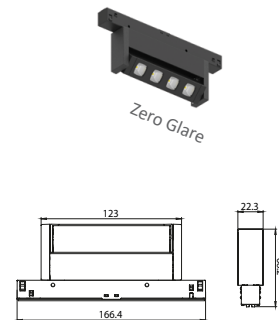
SCL2 | 2 foot



SCL3 | 3 foot



SCLm | mini



SCL Adjustable

SCATTO 48 V TRACK SYSTEM
UPLIGHTING | DOWNLIGHTING

PROJECT _____

TYPE _____

SPECIFICATION _____

