

R-XAR

X-SERIES | XM24

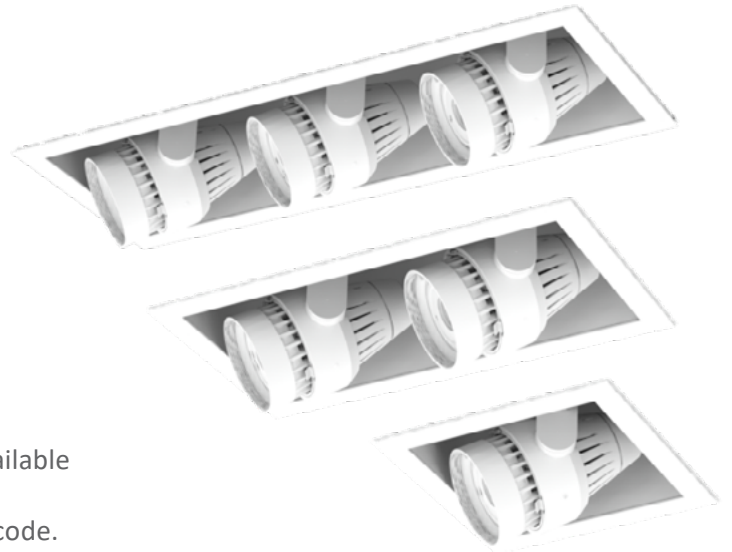
RETROFIT RECESSED MULTIPLE

PROJECT _____

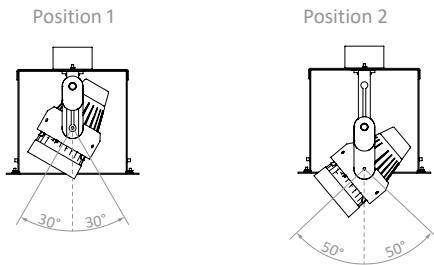
TYPE _____

SPECIFICATION _____

- Upgrade to modular Solais multiples without complicated re-installation
- Replacement for:
 - Amerlux Cylindrix II LED (AC2) - approval pending
 - Amerlux Cylindrix III LED (AC3)
 - Amerlux Contour 3 x 2 LED (AC) - approval pending
- 120 V standard
- 0-10 V*, Triac and ELV dimming
- 2 self-locking aiming height positions
- 0-50° vertical tilt; 360° rotation
- Modular individually specifiable optics
- 50,000 Hours (L70)
- Integrated driver
- RoHs-compliant
- UL Certified for dry locations
- Rated for IC and Non-IC use
- VioLight and *MonoWhite color rendering enhancements available
- *90+ High CRI available.
 - To order, replace 'K' in CCT designation with 'h' in ordering code.



▪ Aiming



*Consult factory for lead time and availability

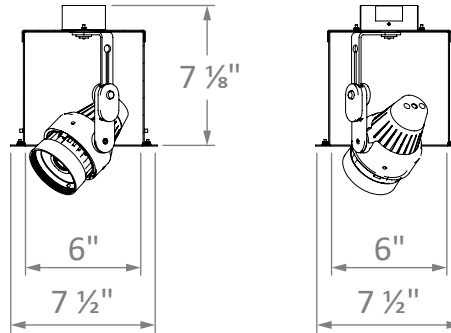
R-XAR11

X-SERIES | XM24 | 1-HEAD
RETROFIT RECESSED MULTIPLE

PROJECT _____

TYPE _____

SPECIFICATION _____



Ordering Information

Example: R-XAR11/AC3/Xm24/25/30K/2400/WH/WH/SL

Fixture	Type	Module	Beam Spread	CCT / Lumens	Options
R-XAR11	AC2 AC3 AC	Xm24	COB-optic	25K* / 1400	HL - Honeycomb Louver
			15c	27K / 1550	SL - Linear Spread
			25c	30K / 1600	SP - Prismatic Spread
			40c	30m* / 1600	SS - Solite Spread
			60c	35K* / 1600	SF - Frosted Spread
				35m* / 1600	More Accessories Available
				40K* / 1600	Fixture Options
				25K* / 2000	010 - 0-10 V Dimming*
				27K / 2000	EM - Emergency Backup Microinverter*
				30K / 2000	
				30m* / 2000	
				35K* / 2000	
				35m* / 2000	
				40K* / 2000	
			Multi-optic	30v / 1850	
			15	27K / 2300	
			25	30K / 2400	
			40	35K* / 2400	
			60	40K* / 2400	
				27K / 3000	
				30K / 3000	
				35K* / 3000	
				40K* / 3000	

Trim Finish
Die-cast, Powder Coated
WH / WH - White Module, Interior + Flange
BK / BK - Black Module, Interior + Flange
BK / WH* - Black Module + Interior, White Flange
PW / PW* - Perfect White Module, Interior + Flange
BK / PW* - Black Module + Interior, Perfect White Flange

*Consult factory for lead time and availability

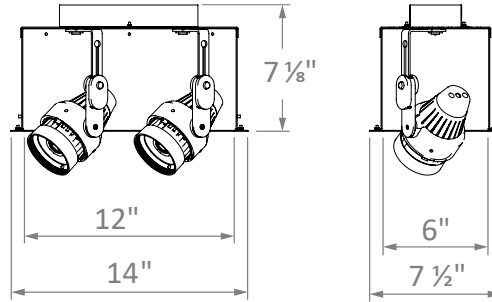
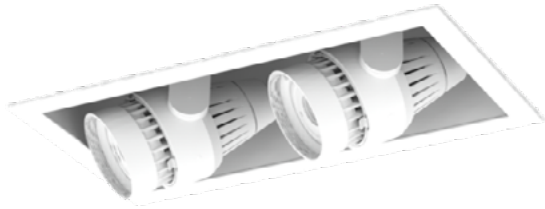
R-XAR12

X-SERIES | XM24 | 2-HEAD
RETROFIT RECESSED MULTIPLE

PROJECT _____

TYPE _____

SPECIFICATION _____



Ordering Information

Example: R-XAR12/AC3/Xm24/25-25/30K/2400/WH/WH/SL-SL

Fixture	Type	Module	Beam Spread	CCT / Lumens	Options
R-XAR12	AC2 AC3 AC	Xm24	COB-optic	25K* / 1400 27K / 1550 30K / 1600 30m* / 1600 35K* / 1600 35m* / 1600 40K* / 1600	HL - Honeycomb Louver SL - Linear Spread SP - Prismatic Spread SS - Solite Spread SF - Frosted Spread More Accessories Available
			Multi-optic	25K* / 2000 27K / 2000 30K / 2000 30m* / 2000 35K* / 2000 35m* / 2000 40K* / 2000	Fixture Options 010 - 0-10 V Dimming* EM - Emergency Backup Microinverter*
			15	30v / 1850	
			25	27K / 2300 30K / 2400	
			40	35K* / 2400	
			60	40K* / 2400	
				27K / 3000 30K / 3000 35K* / 3000 40K* / 3000	
					Trim Finish Die-cast, Powder Coated WH / WH - White Module, Interior + Flange BK / BK - Black Module, Interior + Flange BK / WH* - Black Module + Interior, White Flange PW / PW* - Perfect White Module, Interior + Flange BK / PW* - Black Module + Interior, Perfect White Flange

*Consult factory for lead time and availability

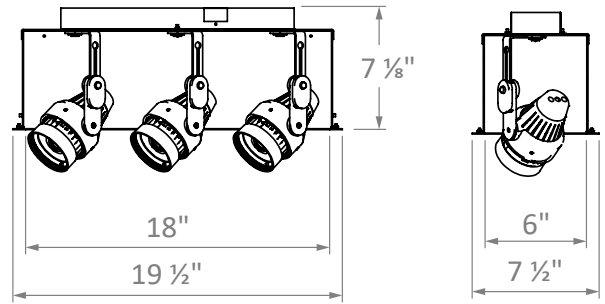
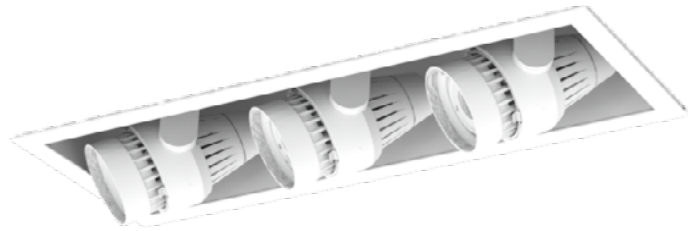
R-XAR13

X-SERIES | XM24 | 3-HEAD
RETROFIT RECESSED MULTIPLE

PROJECT _____

TYPE _____

SPECIFICATION _____



Ordering Information

Example: R-XAR13/AC3/Xm24/25-25-25/30K/2400/WH/WH/SL-SL-SL

1 - 2 - 3		1 - 2 - 3	
Fixture	Type	Module	Beam Spread
R-XAR13	AC2 AC3 AC	Xm24	COB-optic
			15c
			25c
			40c
			60c
			CCT / Lumens
			25K* / 1400
			27K / 1550
			30K / 1600
			30m* / 1600
			35K* / 1600
			35m* / 1600
			40K* / 1600
			25K* / 2000
			27K / 2000
			30K / 2000
			30m* / 2000
			35K* / 2000
			35m* / 2000
			40K* / 2000
			Multi-optic
			30v / 1850
			15
			27K / 2300
			25
			30K / 2400
			40
			35K* / 2400
			60
			40K* / 2400
			27K / 3000
			30K / 3000
			35K* / 3000
			40K* / 3000

Options

- HL - Honeycomb Louver
- SL - Linear Spread
- SP - Prismatic Spread
- SS - Solite Spread
- SF - Frosted Spread
- More Accessories Available

Fixture Options

- O10 - 0-10 V Dimming*
- EM - Emergency Backup Microinverter*

Trim Finish

- Die-cast, Powder Coated
- WH / WH - White Module, Interior + Flange
- BK / BK - Black Module, Interior + Flange
- BK / WH* - Black Module + Interior, White Flange
- PW / PW* - Perfect White Module, Interior + Flange
- BK / PW* - Black Module + Interior, Perfect White Flange

*Consult factory for lead time and availability

R-XAR

X-SERIES | XM24

RETROFIT RECESSED MULTIPLE

PROJECT

TYPE

SPECIFICATION

PHOTOMETRIC DETAILS | baseline X output multiplier X cri-cct multiplier = final output

COB OPTIC: Baseline data for 22 W, 2000 lumens, 80+ CRI, 3000K

Xm24/15c/30K/2000

Input Power:	22.5 W
Lumens:	1868 lm
Efficacy:	82.9 lm/W
Beam Angle:	19.2°
Field Angle:	49.1°

∠	0°	45°	90°
0°	7831	7831	7831
5°	6438	6425	6339
10°	3671	3628	3524
15°	1830	1823	1789
20°	1088	1090	1069
25°	726	736	709
30°	501	516	496
35°	342	353	344
40°	233	238	236
45°	157	160	163

Xm24/25c/30K/2000

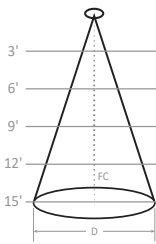
Input Power:	21.9 W
Lumens:	2200 lm
Efficacy:	100.3 lm/W
Beam Angle:	23.9°
Field Angle:	59.8°

∠	0°	45°	90°
0°	6529	6529	6529
5°	5797	5759	5621
10°	4014	3962	3803
15°	2347	2286	2202
20°	1369	1344	1311
25°	904	894	874
30°	646	642	628
35°	458	465	453
40°	332	341	331
45°	241	250	242

Xm24/40c/30K/2000

Input Power:	22.2 W
Lumens:	2013 lm
Efficacy:	90.9 lm/W
Beam Angle:	38.8°
Field Angle:	85.9°

∠	0°	45°	90°
0°	3023	3023	3023
5°	2893	2871	2848
10°	2530	2476	2437
15°	2026	1961	1911
20°	1511	1447	1402
25°	1073	1023	987
30°	749	716	690
35°	527	507	491
40°	380	368	357
45°	278	271	263



3'	1.01' D; 609 FC	1.27' D; 508 FC	2.11' D; 235 FC
6'	2.03' D; 152 FC	2.53' D; 127 FC	4.23' D; 59 FC
9'	3.04' D; 68 FC	3.80' D; 56 FC	6.34' D; 26 FC
12'	4.06' D; 38 FC	5.07' D; 32 FC	8.45' D; 15 FC
15'	5.07' D; 24 FC	6.34' D; 20 FC	10.56' D; 9 FC

OUTPUT MULTIPLIER

Package	Optic	Multiplier
18 W 1600 lm Xm24 COB	15°	0.80
	25°	0.80
	40°	0.79

CRI-CCT MULTIPLIER

CRI	CCT	Multiplier
8 (80+)	2200K	0.86
	2500K	0.91
	2700K	0.96
	3000K	1.00
	3500K	1.03
	4000K	1.05
9 (90+)	2200K	0.70
	2500K	0.77
	2700K	0.83
	3000K	0.86
	3500K	0.89
M (MonoWhite)	3000K	0.86
	3500K	0.88
V (VioLight)	3000K	0.89

MULTI-OPTIC: Baseline data for 26 W, 2400 lumens, 80+ CRI, 3000K

Xm24/15/30K/2400

Input Power:	26.4 W
Lumens:	2636 lm
Efficacy:	100.0 lm/W
Beam Angle:	14.8°
Field Angle:	26.1°

∠	0°	45°	90°
0°	32012	32012	32012
5°	23079	22740	22414
10°	7807	8170	8147
15°	1905	1732	1527
20°	642	512	463
25°	268	253	255
30°	157	151	150
35°	99	91	89
40°	72	66	62
45°	55	52	51

Xm24/25/30K/2400

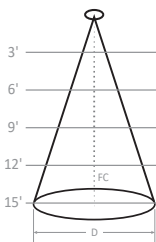
Input Power:	26.4 W
Lumens:	2573 lm
Efficacy:	97.4 lm/W
Beam Angle:	27.2°
Field Angle:	48.4°

∠	0°	45°	90°
0°	9977	9977	9977
5°	9134	9161	9195
10°	6880	6928	6963
15°	4125	4130	4112
20°	1967	1951	1931
25°	824	797	783
30°	367	340	323
35°	191	172	164
40°	111	103	99
45°	69	68	67

Xm24/40/30K/2400

Input Power:	26.4 W
Lumens:	2385 lm
Efficacy:	90.5 lm/W
Beam Angle:	44.0°
Field Angle:	71.7°

∠	0°	45°	90°
0°	4057	4057	4057
5°	4083	3943	3829
10°	3913	3706	3506
15°	3452	3328	3021
20°	2599	2596	2302
25°	1651	1710	1532
30°	913	969	889
35°	456	488	459
40°	221	238	225
45°	112	112	103



3'	0.78' D; 2490 FC	1.45' D; 776 FC	2.42' D; 316 FC
6'	1.56' D; 623 FC	2.90' D; 194 FC	4.84' D; 79 FC
9'	2.34' D; 277 FC	4.35' D; 86 FC	7.26' D; 35 FC
12'	3.12' D; 156 FC	5.81' D; 49 FC	9.68' D; 20 FC
15'	3.90' D; 100 FC	7.26' D; 31 FC	12.11' D; 13 FC

OUTPUT MULTIPLIER

Package	Optic	Multiplier
20 W 1850 lm Xm24 Multi-optic	15°	0.70
	25°	0.72
	40°	0.78

Package	Optic	Multiplier
28 W 3000 lm Xm24 Multi-optic	15°	1.13
	25°	1.17
	40°	1.12

R-XAR

X-SERIES | XM24

RETROFIT RECESSED MULTIPLE

PROJECT _____

TYPE _____

SPECIFICATION _____

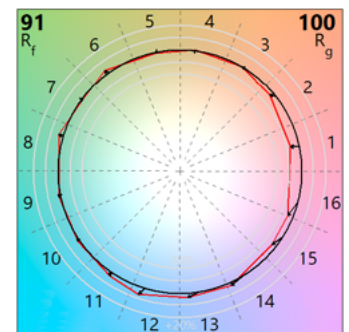
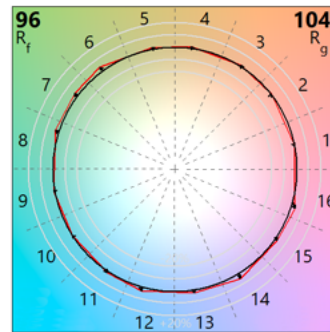
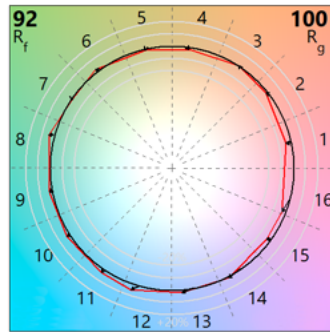
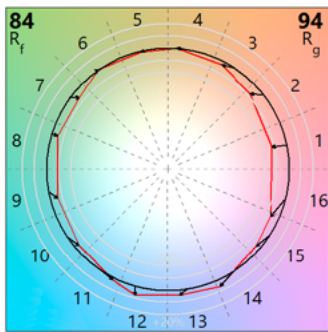
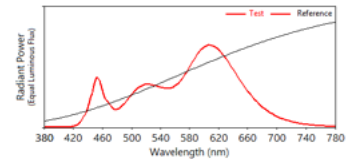
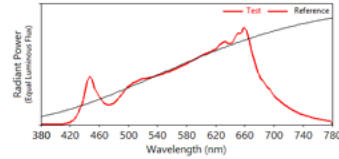
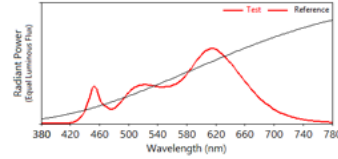
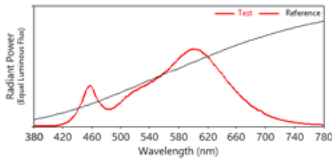
TM30 COLOR REPORTS

- 3000K with 80+ CRI
- $R_f = 84$; $R_g = 94$
- $R_A = 82$; $R_g = 11$

- 3000K with 90+ CRI
- $R_f = 92$; $R_g = 100$
- $R_A = 93$; $R_g = 56$

- 3000K with 97+ CRI
- $R_f = 96$; $R_g = 104$
- $R_A = 97$; $R_g = 98$

- 3000K with MonoWhite
- $R_f = 91$; $R_g = 100$
- $R_A = 91$; $R_g = 42$



WARNING: Not for use in fully enclosed luminaires. Risk of electric shock. Use in an indoor, dry location only. This device is not intended for use with emergency exit fixtures or emergency exit lights. May not be compatible with all dimmers; please visit solais.com/dimming for up-to-date dimmer compatibility information.

NOTES: This device complies with Part 15 of the FCC Rule. This product may cause interference with other devices. If interference occurs, change the locations of the products involved. **Compatible on 120v systems.**



Luxiance utilizes active cooling to remove heat from the LED system - allowing Solais LED lamps to operate cooler, resulting in superior life, light output, and performance.



X-Changeable is our all-in-one technology that incorporates the optics, LEDs, driver and power within a replaceable module. This allows you to change the lumen output, color temperature, beam angle and trim color with ease.



Thermal Throttle – In the event that Solais products begin to overheat, they will undetectably dim themselves to protect your technology investments.



ViOLight radiates superior quality, enhancing colors in merchandise, making colors more vibrant and offering a truly competitive LED replacement for CMH-like crispness.