

**MAIN FEATURES**

- Designed for recessed use in the standard drop ceilings
- Uniform color and illumination with no visible LEDs
- Field Selectable color temperature and lumen output
- Easy installation in new construction or retrofit
- Standard earthquake clips for secure grid installation
- Flicker-free per IEC61010-2-2015 at 100% light output

**ELECTRICAL + CONTROLS**

- Universal 120-277V (50-60Hz)
- 0-10 V dimming
- Integral mounted emergency backup driver optional
- 1kV Surge immunity protection

**OPTICS + PERFORMANCE**

- 80+ CRI
- Field Selectable 3500K, 4000K, 5000K color temperatures and lumen outputs
- Power Factor > 90
- Total harmonic distortion < 20%
- 144,000 hours of operation (L70)
- 44,000 hours of operation (L90)

**CONSTRUCTION + FINISH**

- Weight: FP14 = 6 lbs.; FP24 = 9 lbs.; FP22 = 4 lbs.
- Aluminum frame, steel housing back plate
- PMMA (polymethyl methacrylate) LED lens for optimal distribution, efficiency and life
- Mounting Options
  - Standard: Recessed grid or suspended with hanging brackets
  - Options: Surface mount, cable mount or flange mount kits available

**RATINGS + CERTIFICATIONS**

- IC rated
- DLC Standard (FP14) + DLC Premium (FP24 + FP22) listed (*Family code: UUVBX*)
- Complies with FCC Part 15, class B
- UL listed for damp locations (*E486938*)
- Contain no lead or mercury

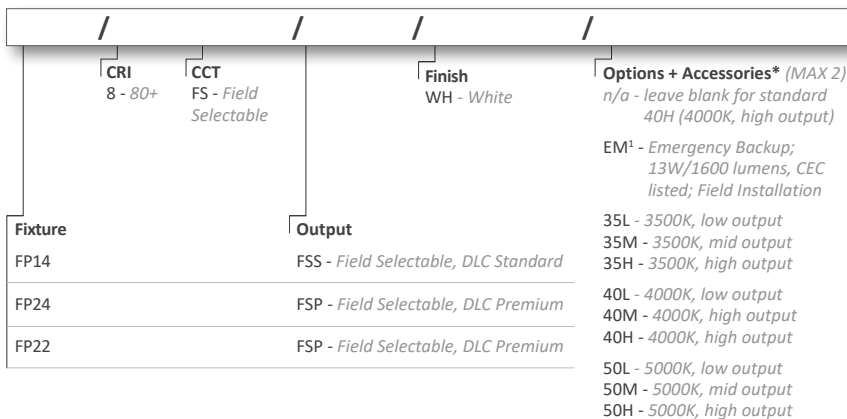
**WARRANTY**

- 5-year warranty

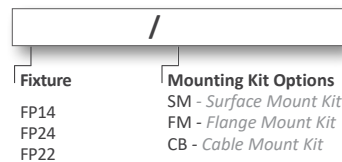


	FP14		FP24		FP22	
	Lumens	Power	Lumens	Wattage	Lumens	Wattage
40L	2700	19W	3300	23W	2800	19W
40M	3700	27W	4600	32W	3800	27W
40H	4300	33W	5200	37W	4300	32W

Ordering Information Example: FP24/FS/FS/WH/SM-EM



Ordering Information Example: FP24/SM

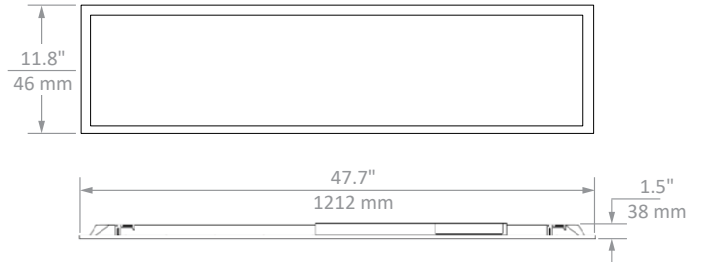


\* Contact factory for availability and lead time for custom, preselected options; Standard fixture is preset to 5000K/40H (80+ CRI, 5000K, 4000 lumen high output)

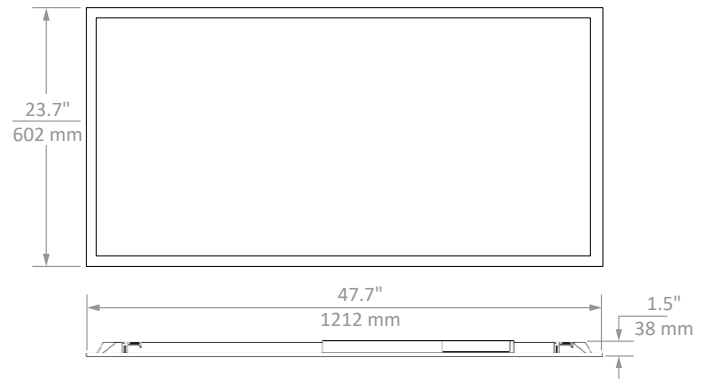
## DIMENSIONS



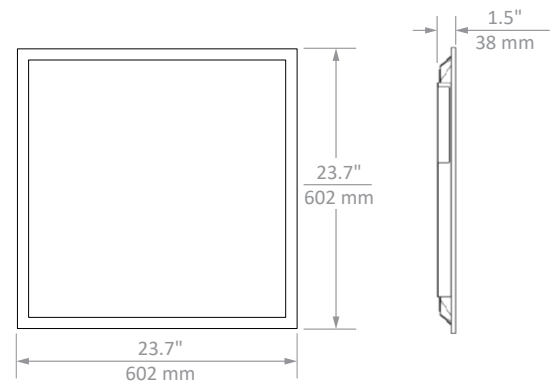
- FP14  
weight: 6.0 lbs.



- FP24  
weight: 9.0 lbs.

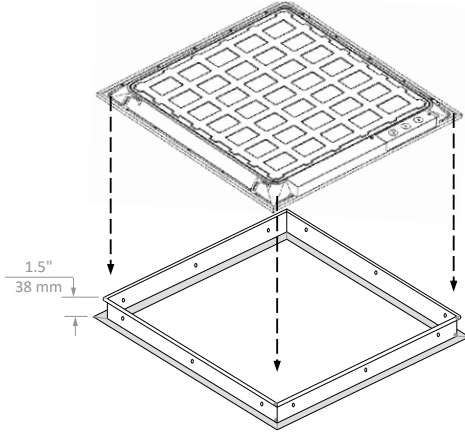


- FP22  
weight: 4.0 lbs.

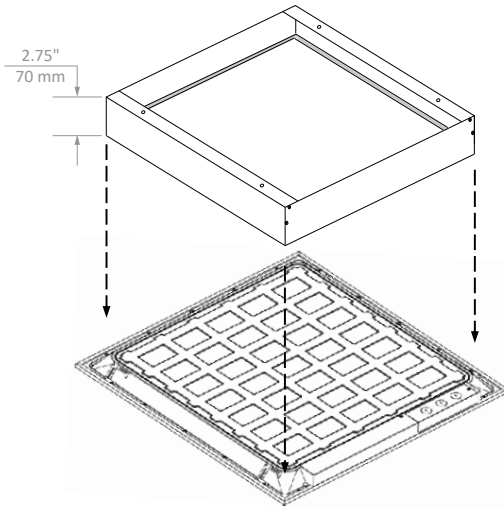


## OPTIONS + ACCESSORY DETAILS

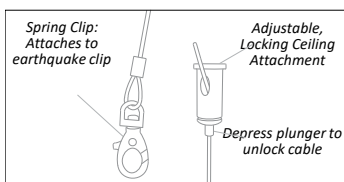
- Flange Mounting Kit
  - For recessed/flush installation on plaster, drywall, or other hard ceiling
  - Mounts to ceiling joists or other stationary structures



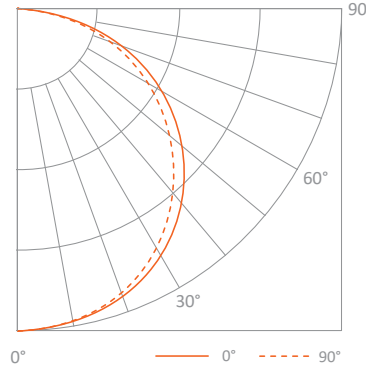
- Surface Mounting Kit (For below ceiling)



- Cable Mount Kit (QTY: 6)
  - 39 3/8" long, 1/16" diameter spring clips + adjustable, locking ceiling attachment



## DISTRIBUTION



## PHOTOMETRIC DETAILS

### Luminaire Data

Description	FP14/850/40L
Total Lumens	4,218
Input Wattage	34
Efficacy (lm/W)	123
Spacing Criterion (0-180°)	1.32
Spacing Criterion (90-270°)	1.28

### Zonal Lumen Summary

Zone	Lumens	% Fixture
0-20°	506	12.0%
0-30°	1,085	25.7%
0-40°	1,796	42.6%
20-50°	2,044	48.4%
40-70°	1,995	47.3%
0-60°	3,246	77.0%
0-80°	4,117	97.6%
0-90°	4,213	99.9%
90-180°	5	0.1%
0-180°	4,218	100.0%

### Luminaire Data

Description	FP24/850/50L
Total Lumens	5,157
Input Wattage	38
Efficacy (lm/W)	137
Spacing Criterion (0-180°)	1.34
Spacing Criterion (90-270°)	1.28

### Zonal Lumen Summary

Zone	Lumens	% Fixture
0-20°	614	11.9%
0-30°	1,316	25.5%
0-40°	2,181	42.3%
20-50°	2,491	48.3%
40-70°	2,457	47.6%
0-60°	3,964	76.9%
0-80°	5,039	97.7%
0-90°	5,152	99.9%
90-180°	5	0.1%
0-180°	5,157	100.0%

### Luminaire Data

Description	FP22/850/40L
Total Lumens	4,179
Input Wattage	32
Efficacy (lm/W)	130
Spacing Criterion (0-180°)	1.3
Spacing Criterion (90-270°)	1.28

### Zonal Lumen Summary

Zone	Lumens	% Fixture
0-20°	514	12.3%
0-30°	1,098	26.3%
0-40°	1,810	43.3%
20-50°	2,043	48.9%
40-70°	1,962	46.9%
0-60°	3,240	77.5%
0-80°	4,087	97.8%
0-90°	4,175	99.9%
90-180°	4	0.1%
0-180°	4,179	100.0%

