

PROJECT \_\_\_\_\_ TYPE \_\_\_\_\_

SPECIFIER \_\_\_\_\_ MEMO \_\_\_\_\_

ORDERING CODE BREAKDOWN

### MAIN FEATURES

- 95 CRI Standard
- 359° rotation; 0-90° head tilt
- Delivering up to 1600 lumens at 3000K, 95 CRI and 16W
- Custom integrated driver meets IEEE 1789-2015 Low Risk flicker category across dimming range
- Custom TIR optic platform to ensure smooth beams and excellent light control with no need for a solite lens
- Accommodates up to two accessories in addition to snoot
- Concealed adapters designed to be used with Solais' Architectural Gaia+ 120-277V track systems



FIXTURE	VOLTAGE	BEAM SPREAD	CRI	CCT	LUMENS	FINISH	MOUNTING	OPTIONS	
LCS : Small Lucie	1 : 120V, 1% phase-cut dimming	VNSP : 9°	9 : 95 CRI	22 <sup>3</sup> : 2200K	600 : 9W (VNSP)	PW : Perfect White	J : 120V, 1/1	LS : Linear Spread Lens	
	2 : 120-277V, 1% 0-10V dimming	NSP <sup>4</sup> : 16°	H <sup>1</sup> : 98+ CRI	25 <sup>3</sup> : 2500K	1200 : 11W	BK : Black	H : 120V, 1/1	HL <sup>5</sup> : Honeycomb Louver	
		SP : 20°	M <sup>2</sup> : Monowhite	27 : 2700K	1600 : 16W	SV : Silver	L : 120V, 1/1	SS : Solite Spread Lens	
		NFL : 25°	D <sup>4</sup> : Dim-to-Warm	30 : 3000K	1000 <sup>4</sup> : 15W (Dim-to-Warm)	BA : Brushed Aluminum	G : Gaia 120V, 2/2	SN <sup>5</sup> : Snoot	
		FL : 36°		35 : 3500K		BG : Brushed Gold	Gx : Gaia 120V, 3/1	SNxx : Mix + Match Snoot	
		WFL : 53°		40 : 4000K		GD : Gold	G2 : Gaia 277V, 2/2		
						50 : 5000K	BZ : Bronze		G1 : Gaia 220-240V, 1/1
							CR : Chrome		G3 : Gaia 220-240V, 3/1
				RC : Rose Gold Chrome	GP : Gaia+ 120V, 2/2				
				BC : Black Chrome	GPx : Gaia+ 120V, 3/1				
		GC : Gold Chrome	GP2 : Gaia+ 277V, 2/2						
			GPc : Gaia+ 120V, 2/2, concealed adapter						
			GPxc : Gaia+ 120V, 3/1, concealed adapter						
			GP2c : Gaia+ 277V, 2/2, concealed adapter						

Notes: <sup>1</sup>98+ CRI produces less measured lumens. See photometric data.  
<sup>2</sup>MonoWhite produces less measured lumens; see photometric data. CRI specification unavailable. Unavailable with VNSP.  
<sup>3</sup>2200K, 2500K are only available with '9' and are 90+ CRI  
<sup>4</sup>Dim to Warm is 98+ CRI, 1000 lumens only. Unavailable with NSP.  
<sup>5</sup>HL recommended only with NSP or NFL; SN recommended only with NSP, NFL or FL  
 Consult factory for stem custom orders; only available with Gaia and Gaia+ adapters.

PROJECT	TYPE
---------	------

# LCS LUCIE

J-, L-, H- | GAIA™ | GAIA+™  
LUCIE SMALL 2.5" TRACKHEAD

### MOUNTING + ELECTRICAL + CONTROLS

- J-type, L-type, H-type: 120V, 1-circuit/1-neutral or 2-circuit/1-neutral; phase-cut dimming; Low profile adapter
- GP-type: 120V, 1-circuit/1-neutral; 0-10V dimming; Compatible with Solais Gaia+ GP12
- GPx-type: 120V, 3-circuit/1-neutral; 0-10V dimming; Compatible with Solais Gaia+ GP13, including Gaia+ Bends
- GP2-type: 277V, 2-circuit/2-neutral; 0-10V dimming; Compatible with Solais Gaia+ GP22
- G-type: 120V, 2-circuit/2-neutral; phase-cut dimming; Compatible with Solais Gaia+ GP12, Nordic TEK
- Gx-type\*: 120V, 3-circuit/1-neutral; phase-cut dimming; Compatible with Solais Gaia+ GP13, XTS, XTSC, GNC7, Hoffmeister, Eutrac, iGuzzini, Zumtobel, Erco
- G2-type\*: 277V, 2-circuit/2-neutral; non-dimming; Compatible with Solais Gaia+ GP22, Nordic HTEK
- G1-type\*: 220-240V, 1-circuit/1-neutral; non-dimming; Compatible with Nordic Global Trac Base (GB)
- G3-type\*: 220-240V, 3-circuit/1-neutral; non-dimming; Compatible with Nordic Global Trac Pro (XTS), Stucchi 9000-series

- GPC-type\*: 120V, 2-circuit/2-neutral; 0-10V dimming; Compatible with Solais Gaia+ GP12
- GPxc-type\*: 120V, 3-circuit/1-neutral; 0-10V dimming; Compatible with Solais Gaia+ GP13
- GP2c-type\*: 277V, 2-circuit/2-neutral; 0-10V dimming; Compatible with Solais Gaia+ GP22
- Gc-type\*: 120V-277V, 2-circuit/2-neutral; phase-cut dimming (non-dimming on 277V); Compatible with Solais Gaia+ GP12, GP22, Nordic TEK, HTEK
- G2c-type\*: 277V, 2-circuit/2-neutral; non-dimming; Compatible with Solais Gaia+ GP22, Nordic HTEK

### CONSTRUCTION + FINISH

- Weight: 12.2 oz.
- Die-cast aluminum alloy housing for optimal thermal performance
- Finishes:
  - Available in painted, polished, and brushed aluminum; consult factory for custom finishes
  - White: RAL 9003
  - Black: RAL 9005
  - Silver: RAL 7001
- Solais Signature Series finishes also available

### WARRANTY

- 5-year warranty

### RATINGS + CERTIFICATIONS

- IP20 and IK08 rated
- DLC listings (*family code: IIIONW*)
- 120V: UL and cUL Listed for dry location (*E487826*), CEC Title 24, JA8 + JA10 compliant
- 277V: UL and cUL Listed for dry location (*E487826*)

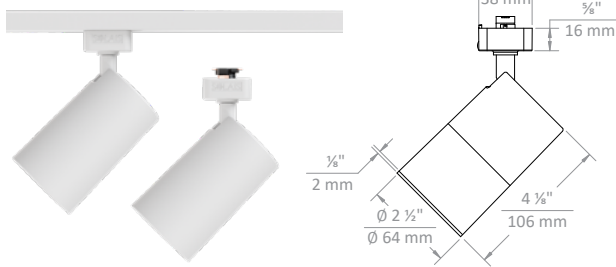
### OPTICS + PERFORMANCE

- 6 custom beam spreads available
  - Very Narrow Spot - 9°
  - Narrow Spot - 16°
  - Spot - 20°
  - Narrow Flood - 25°
  - Flood - 36°
  - Wide Flood - 53°
- 4 performance packages
  - 9W; 600 lumens (*VNSP only*)
  - 11W; 1200 lumens
  - 16W; 1600 lumens
  - 15W; 1000 lumens (*Dim to Warm*)
- Color Temperatures
  - 95 CRI: 2200K, 2500K, 2700K, 3000K, 3500K, 4000K, 5000K
  - 98+ CRI: 2700K, 3000K, 3500K, 4000K, 5000K
  - MonoWhite: 3000K or 3500K
- Solais' exclusive color enhancing technology intensifies contrast, brightens whites and pops colors by bridging the cyan color gap with higher gamut color rendering
- Fixture life:
  - Full power: 50,000 hours
  - 75% power: 100,000 hours
  - Below 50% power: 125,000 hours
- LED 90% lumen maintenance ( $LM_{90}$ ): 60,000 hours

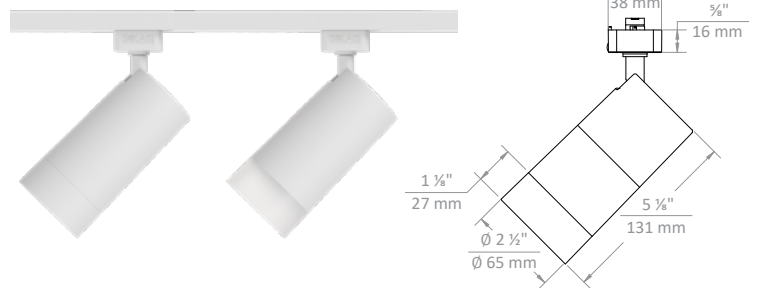
### J-, L-, H-TYPE ADAPTERS

45°

- Standard



- SN - Matching Snoot (left), AS - Acrylic Snoot (right)



0°

- Standard (left), SN- Snoot (right)



90°

- Standard (left), SN- Snoot (right)



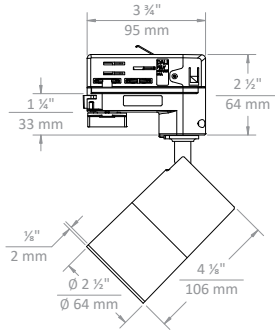
# LCS LUCIE

J-, L-, H- | GAIA™ | GAIA+™  
LUCIE SMALL 2.5" TRACKHEAD

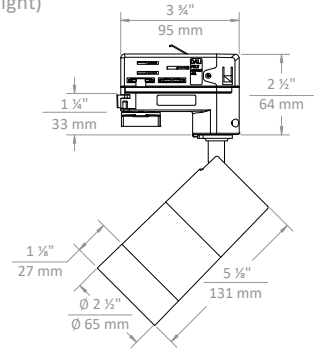
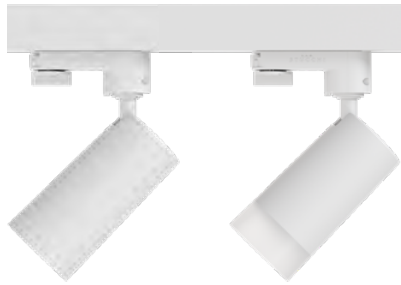
## G, G2, GP, GP2 ADAPTERS

45°

- Standard

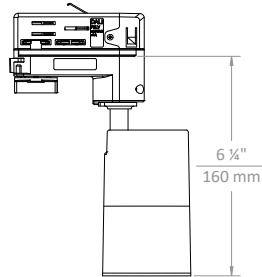


- SN - Matching Snoot (left), AS - Acrylic Snoot (right)



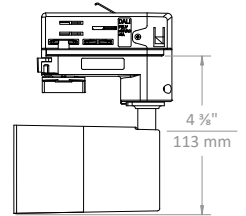
0°

- Standard (left), SN- Snoot (right)



90°

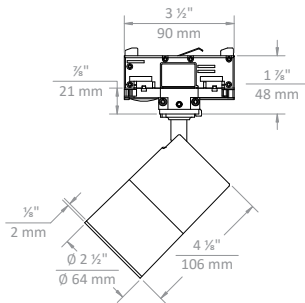
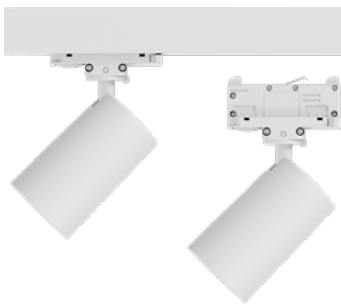
- Standard (left), SN- Snoot (right)



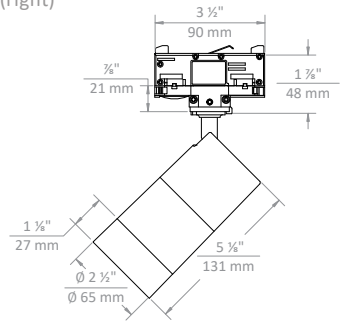
## GX, GPX ADAPTERS

45°

- Standard

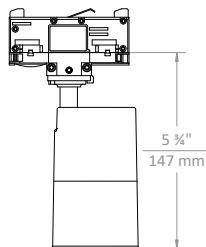


- SN - Matching Snoot (left), AS - Acrylic Snoot (right)



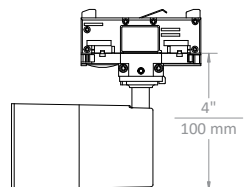
0°

- Standard (left), SN- Snoot (right)



90°

- Standard (left), SN- Snoot (right)



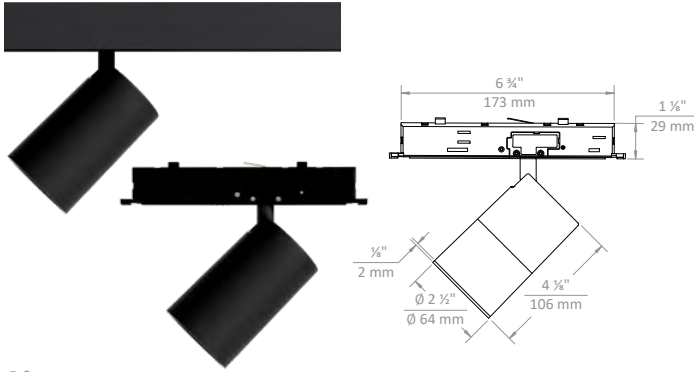
## LCS LUCIE

J-, L-, H- | GAIA™ | GAIA+™  
LUCIE SMALL 2.5" TRACKHEAD

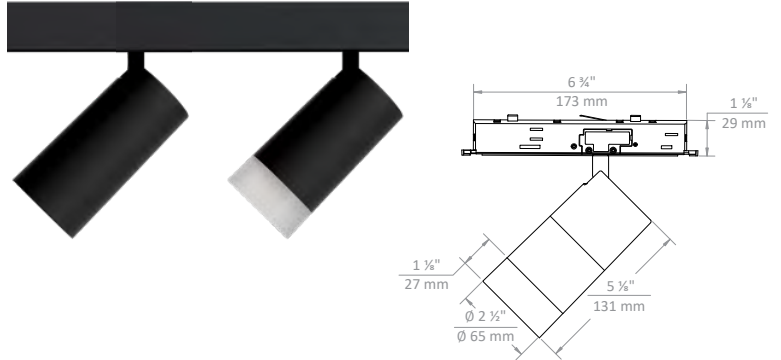
### GPc, GPXc, GP2c ADAPTERS

45°

▪ Standard

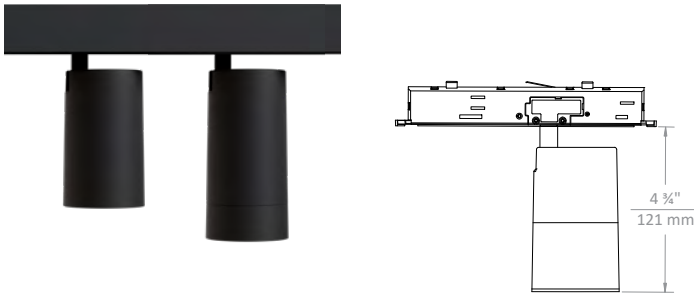


▪ SN - Matching Snoot (left), AS - Acrylic Snoot (right)



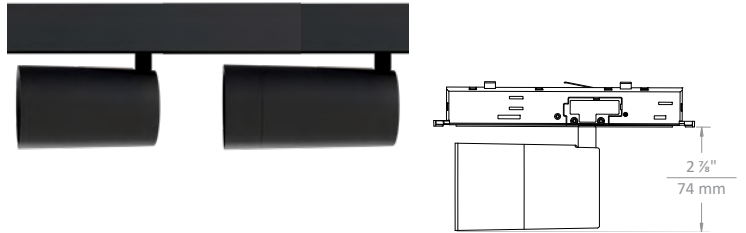
0°

▪ Standard (left), SN- Snoot (right)



90°

▪ Standard (left), SN- Snoot (right)



### FINISHES *Shown with snoots and hex louvers.*

#### Standard Finishes



Perfect White (PW)

Black (BK)

Silver (SV)

#### Mix + Match



Consult factory for mix + match finishes of fixtures and/or snoots

#### Signature Series Finishes



Brushed Gold (BG)

Brushed Aluminum (BA)

Chrome (CR)

Bronze (BZ)

Black Chrome (BC)

Rose Gold Chrome (RC)

Gold (GD)

Gold Chrome (GC)

**PHOTOMETRIC DETAILS | baseline X output multiplier X cri-cct multiplier = final output**

Baseline data shown below for 16W, 1600 lumens, 3000K, 95 CRI

**VNSP - 9° Very Narrow Spot**

- Input Power: 8.7W
- Lumens: 604 lm
- Efficacy: 69 lm/W
- CBCP: 10483
- Beam Angle: 10.3°
- Field Angle: 21.8°
- Spacing Criteria: 0.18

∠	0°	45°	90°
0°	10195	10195	10195
5°	6539	6641	6518
10°	1443	1454	1508
15°	536	553	572
20°	232	249	271
25°	109	113	120
30°	59	64	65
35°	36	38	40
40°	25	26	27
45°	17	17	18

**NSP - 16° Narrow Spot**

- Input Power: 15.6W
- Lumens: 1275 lm
- Efficacy: 82 lm/W
- CBCP: 13645
- Beam Angle: 15.6°
- Field Angle: 29.7°
- Spacing Criteria: 0.27

∠	0°	45°	90°
0°	13572	13572	13572
5°	10992	10455	10197
10°	5158	4752	4445
15°	1571	1372	1318
20°	373	338	366
25°	115	112	123
30°	57	53	55
35°	35	32	32
40°	22	20	19
45°	12	11	10

**SP - 20° Spot**

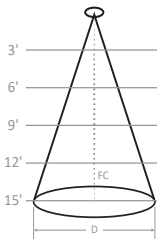
- Input Power: 15.7W
- Lumens: 1571lm
- Efficacy: 100 lm/W
- CBCP: 9409
- Beam Angle: 20.1°
- Field Angle: 41.4°
- Spacing Criteria: 0.35

∠	0°	45°	90°
0°	9278	9278	9278
5°	8499	8097	7708
10°	5498	5051	4641
15°	2885	2561	2309
20°	1329	1140	1018
25°	543	469	403
30°	201	173	150
35°	80	73	67
40°	42	39	37
45°	22	20	19

**NFL - 25° Narrow Flood**

- Input Power: 15.7W
- Lumens: 1443 lm
- Efficacy: 92 lm/W
- CBCP: 6267
- Beam Angle: 25.2°
- Field Angle: 46.6°
- Spacing Criteria: 0.45

∠	0°	45°	90°
0°	6242	6242	6242
5°	5859	5763	5664
10°	4409	4233	4056
15°	2691	2480	2348
20°	1318	1184	1086
25°	559	491	441
30°	258	215	193
35°	118	104	93
40°	54	49	44
45°	27	25	24



**FL - 36° Flood**

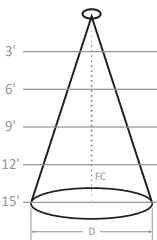
- Input Power: 15.7W
- Lumens: 1448 lm
- Efficacy: 92 lm/W
- CBCP: 3171
- Beam Angle: 36.1°
- Field Angle: 66.4°
- Spacing Criteria: 0.65

∠	0°	45°	90°
0°	3165	3165	3165
5°	3063	3082	3094
10°	2743	2738	2739
15°	2151	2110	2104
20°	1467	1409	1392
25°	898	864	830
30°	515	496	467
35°	287	272	255
40°	151	143	134
45°	79	75	69

**WFL - 53° Wide Flood**

- Input Power: 16.3W
- Lumens: 1367 lm
- Efficacy: 84 lm/W
- CBCP: 1296
- Beam Angle: 57.3°
- Field Angle: 105.3°
- Spacing Criteria: 1.09

∠	0°	45°	90°
0°	1624	1624	1624
5°	1573	1581	1599
10°	1467	1478	1493
15°	1326	1336	1342
20°	1144	1143	1139
25°	927	921	901
30°	697	686	665
35°	491	482	468
40°	338	329	317
45°	224	216	204



**OUTPUT MULTIPLIER**

Package	Multiplier
1200 lumens; 11W	0.78

**CRI-CCT MULTIPLIERS**

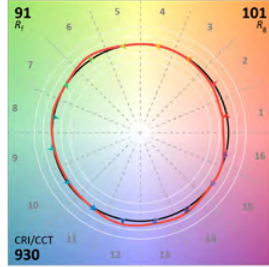
CCT	95 CRI	98+ CRI	MonoWhite
2200K	0.80	0.71	--
2500K	0.85	0.76	--
2700K	0.92	0.73	--
3000K	1.00	0.75	0.86
3500K	1.04	0.79	0.88
4000K	1.05	0.80	--
5000K	1.06	0.81	--

# LCS LUCIE

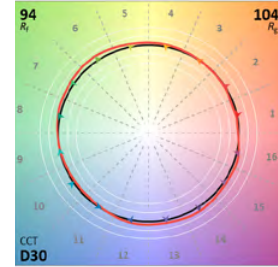
J-, L-, H- | GAIA™ | GAIA+™  
LUCIE SMALL 2.5" TRACKHEAD

## TM30 COLOR REPORTS

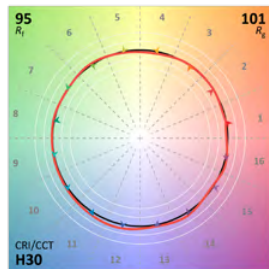
- 3000K with 95 CRI
- $R_A = 95$ ;  $R_g = 62$
- $R_f = 91$ ;  $R_g = 101$



- 3000K with 95 CRI
- $R_A = 95$ ;  $R_g = 62$
- $R_f = 91$ ;  $R_g = 101$



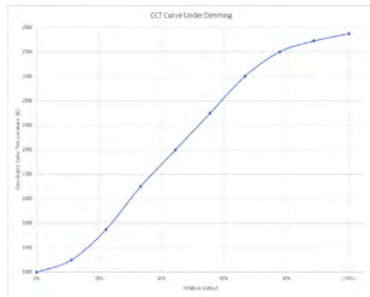
- 3000K with 98+ CRI
- $R_A = 98$ ;  $R_g = 96$
- $R_f = 95$ ;  $R_g = 101$



## DLC DETAILS

LCS	VNSP	NSP	SP	NFL	FL	WFL
600 lumens	n/a	n/a	n/a	n/a	n/a	n/a
1200 lumens	n/a	n/a				
1600 lumens	n/a	n/a				
1000 lumens (Dim to Warm)	n/a	n/a	n/a	n/a	n/a	n/a

## DIM TO WARM DETAILS | Dim to Warm only available with NFL, FL, and WFL beam spreads @ 16W; 1000 lumens; 90+CRI



### SP - 20° Narrow Flood

- Input Power: 15.3W
- Lumens: 1039 lm
- Efficacy: 68 lm/W
- CBCP: 6356
- Beam Angle: 20.2°
- Field Angle: 39.9°
- Spacing Criteria: 0.36

∠	0°	45°	90°
0°	6297	6297	6297
5°	5798	5559	5423
10°	3744	3415	3256
15°	1808	1589	1529
20°	735	686	663
25°	295	281	267
30°	107	105	94
35°	42	40	36
40°	20	19	18
45°	10	9	9

### NFL - 25° Narrow Flood

- Input Power: 15.3W
- Lumens: 932 lm
- Efficacy: 61 lm/W
- CBCP: 4304
- Beam Angle: 24.7°
- Field Angle: 45.2°
- Spacing Criteria: 0.44

∠	0°	45°	90°
0°	4262	4262	4262
5°	4067	3976	3846
10°	3063	2936	2786
15°	1825	1711	1604
20°	848	798	728
25°	330	305	292
30°	138	126	117
35°	63	57	54
40°	30	27	26
45°	15	14	13

### FL - 36° Flood

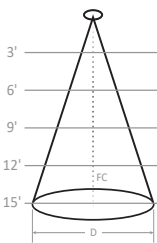
- Input Power: 15.3W
- Lumens: 939 lm
- Efficacy: 62 lm/W
- CBCP: 2110
- Beam Angle: 35.9°
- Field Angle: 65.5°
- Spacing Criteria: 0.65

∠	0°	45°	90°
0°	2091	2091	2091
5°	2074	2048	2009
10°	1876	1829	1759
15°	1473	1411	1325
20°	1000	952	882
25°	602	571	528
30°	341	318	298
35°	184	170	161
40°	97	89	85
45°	50	46	44

### WFL - 55° Wide Flood

- Input Power: 15.3W
- Lumens: 939 lm
- Efficacy: 62 lm/W
- CBCP: 1003
- Beam Angle: 55.2°
- Field Angle: 96.9°
- Spacing Criteria: 1.05

∠	0°	45°	90°
0°	995	995	995
5°	986	976	967
10°	935	935	919
15°	850	860	847
20°	736	751	737
25°	604	611	593
30°	468	465	446
35°	335	333	316
40°	234	231	221
45°	154	152	146



3'	1.07' D; 490 FC	1.31' D; 332 FC	1.94' D; 163 FC	3.14' D; 77 FC
6'	2.14' D; 122 FC	2.62' D; 83 FC	3.89' D; 41 FC	6.27' D; 19 FC
9'	3.21' D; 54 FC	3.93' D; 37 FC	5.83' D; 18 FC	9.41' D; 9 FC
12'	4.28' D; 31 FC	5.24' D; 21 FC	7.77' D; 10 FC	12.55' D; 5 FC
15'	5.34' D; 20 FC	6.55' D; 13 FC	9.72' D; 7 FC	15.68' D; 3 FC