

PROJECT _____ TYPE _____

SPECIFIER _____ MEMO _____

ORDERING CODE BREAKDOWN

LCS LUCIE

LUCIE SMALL 2.5" CANOPY MOUNT FIXTURE



MAIN FEATURES

- 95 CRI Standard
- 359° rotation; 0-90° head tilt
- Delivering up to 1600 lumens at 3000K, 95 CRI and 16W
- Custom integrated driver meets IEEE 1789-2015 Low Risk flicker category across dimming range
- Custom TIR optic platform to ensure smooth beams and excellent light control with no need for a solite lens
- Accommodates up to two accessories in addition to snoot



FIXTURE	VOLTAGE	BEAM SPREAD	CRI	CCT	LUMENS	FINISH	MOUNTING	OPTIONS
LCS : Small Lucie	1 : 120V, 1% phase-cut dimming	VNSP : 9°	9 : 95 CRI	22 ³ : 2200K	600 : 9W (VNSP)	PW : Perfect White	CM : Canopy Mount, 4" j-box	LS : Linear Spread Lens
	2 : 120-277V, 1% 0-10V dimming	NSP ⁴ : 16°	H ¹ : 98+ CRI	25 ³ : 2500K	1200 : 11W	BK : Black	CM-S6 ⁵ : 4" j-box, 6" stem	HL ⁶ : Honeycomb Louver
		SP : 20°	M ² : Monowhite	27 : 2700K	1600 : 16W	SV : Silver	CM-S12 ⁵ : 4" j-box, 12" stem	SS : Solite Spread Lens
		NFL : 25°	D ⁴ : Dim-to-Warm	30 : 3000K	1000 : 15W (Dim-to-Warm)	BA : Brushed Aluminum	CM-S18 ⁵ : 4" j-box, 18" stem	SN ⁶ : Snoot
		FL : 36°		35 : 3500K		BG : Brushed Gold	CM-S24 ⁵ : 4" j-box, 24" stem	
		WFL : 53°		40 : 4000K		GD : Gold	CMM : Canopy Mount, 3.5" j-box	
			50 : 5000K		BZ : Bronze	CMM-S6 ⁵ : 3.5" j-box, 6" stem		
					CR : Chrome	CMM-S12 ⁵ : 3.5" j-box, 12" stem		
					RC : Rose Gold Chrome	CMM-S18 ⁵ : 3.5" j-box, 18" stem		
					BC : Black Chrome	CMM-S24 ⁵ : 3.5" j-box, 24" stem		
				GC : Gold Chrome				

Notes: ¹98+ CRI produces less measured lumens. See photometric data.
²MonoWhite produces less measured lumens; see photometric data. CRI specification unavailable. Unavailable with VNSP.
³2200K, 2500K are only available with '9' and are 90+ CRI
⁴Dim to Warm is 98+ CRI, 1000 lumens only. Unavailable with NSP.
⁵Consult factory for stem custom orders.
⁶HL recommended only with NSP or NFL; SN recommended only with NSP, NFL or FL

PROJECT	TYPE

LCS LUCIE

LUCIE SMALL 2.5" CANOPY MOUNT FIXTURE

MOUNTING + ELECTRICAL + CONTROLS

- 120-277V
- CM: Designed for 4" octagonal junction box
- CMM: Designed for 3.5" octagonal junction box

CONSTRUCTION + FINISH

- Weight: 12.2 oz.
- Die-cast aluminum alloy housing for optimal thermal performance
- Finishes:
 - Available in painted, polished, and brushed aluminum; consult factory for custom finishes
 - White: RAL 9003
 - Black: RAL 9005
 - Silver: RAL 7001
- Solais Signature Series finishes also available

RATINGS + CERTIFICATIONS

- IP20 and IK08 rated
- DLC listings (family code: IIIIONW)
- 120V: UL and cUL Listed for dry location (E487826), CEC Title 24, JA8 + JA10 compliant
- 277V: UL and cUL Listed for dry location (E487826)

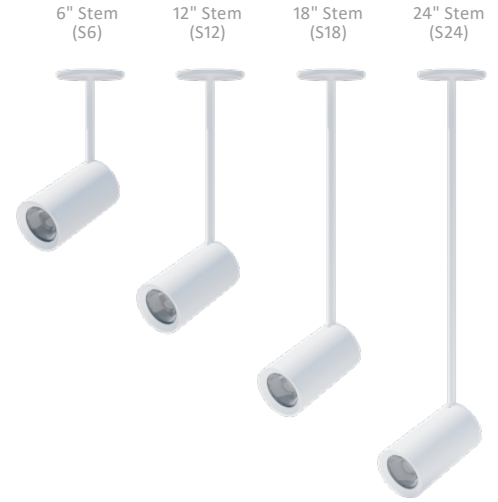
WARRANTY

- 5-year warranty

OPTICS + PERFORMANCE

- 6 custom beam spreads available
 - Very Narrow Spot - 9°
 - Narrow Spot - 16°
 - Spot - 20°
 - Narrow Flood - 25°
 - Flood - 36°
 - Wide Flood - 53°
- 4 performance packages
 - 9W; 600 lumens (VNSP only)
 - 11W; 1200 lumens
 - 16W; 1600 lumens
 - 15W; 1000 lumens (Dim to Warm)
- Color Temperatures
 - 95 CRI: 2200K, 2500K, 2700K, 3000K, 3500K, 4000K, 5000K
 - 98+ CRI: 2700K, 3000K, 3500K, 4000K, 5000K
 - MonoWhite: 3000K or 3500K
- Solais' exclusive color enhancing technology intensifies contrast, brightens whites and pops colors by bridging the cyan color gap with higher gamut color rendering
- Fixture life:
 - Full power: 50,000 hours
 - 75% power: 100,000 hours
 - Below 50% power: 125,000 hours
- LED 90% lumen maintenance (LM₉₀): 60,000 hours

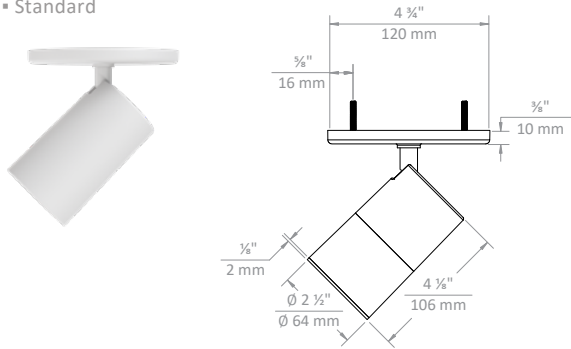
Consult factory for mix + match finishes of fixtures and/or snoots



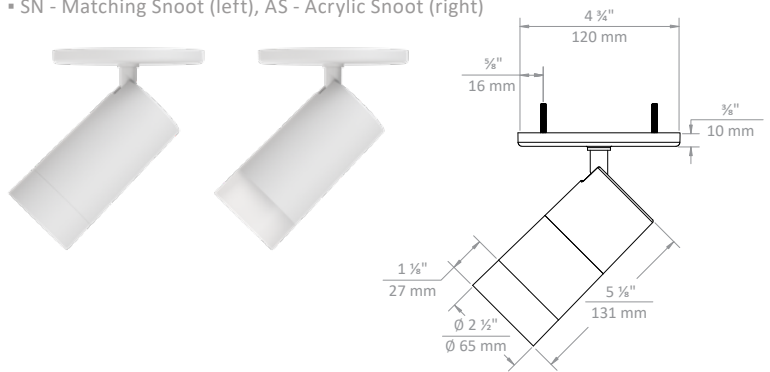
CM CANOPY MOUNT FOR 4" J-BOX

45°

- Standard



- SN - Matching Snoot (left), AS - Acrylic Snoot (right)



0°

- Standard (left), SN- Snoot (right)



90°

- Standard (left), SN- Snoot (right)



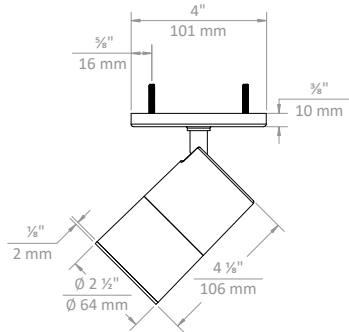
LCS LUCIE

LUCIE SMALL 2.5" CANOPY MOUNT FIXTURE

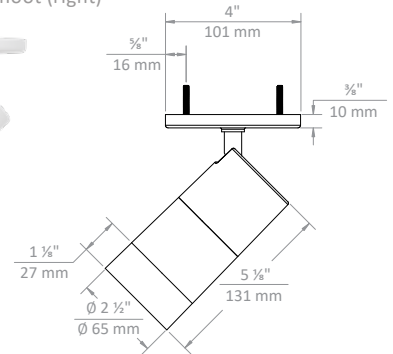
CMM CANOPY MOUNT FOR 3.5" J-BOX

45°

▪ Standard

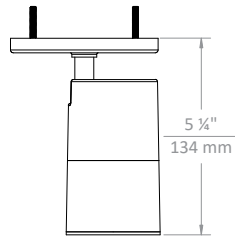


▪ SN - Matching Snoot (left), AS - Acrylic Snoot (right)



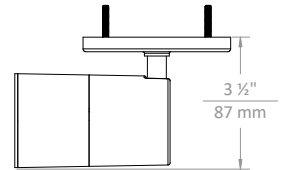
0°

▪ Standard (left), SN- Snoot (right)



90°

▪ Standard (left), SN- Snoot (right)



FINISHES *Shown with snoots and hex louvers.*

Standard Finishes



Perfect White (PW)



Black (BK)



Silver (SV)

Mix + Match



Consult factory for mix + match finishes of fixtures and/or snoots

Signature Series Finishes



Brushed Gold (BG)



Brushed Aluminum (BA)



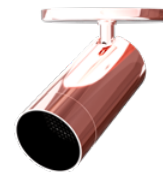
Chrome (CR)



Bronze (BZ)



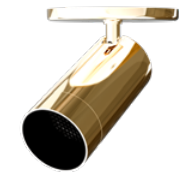
Black Chrome (BC)



Rose Gold Chrome (RC)



Gold (GD)



Gold Chrome (GC)

PHOTOMETRIC DETAILS | baseline X output multiplier X cri-cct multiplier = final output

Baseline data shown below for 16W, 1600 lumens, 3000K, 95 CRI

VNSP - 9° Very Narrow Spot

- Input Power: 8.7W
- Lumens: 604 lm
- Efficacy: 69 lm/W
- CBCP: 10483
- Beam Angle: 10.3°
- Field Angle: 21.8°
- Spacing Criteria: 0.18

∠	0°	45°	90°
0°	10195	10195	10195
5°	6539	6641	6518
10°	1443	1454	1508
15°	536	553	572
20°	232	249	271
25°	109	113	120
30°	59	64	65
35°	36	38	40
40°	25	26	27
45°	17	17	18

NSP - 16° Narrow Spot

- Input Power: 15.6W
- Lumens: 1275 lm
- Efficacy: 82 lm/W
- CBCP: 13645
- Beam Angle: 15.6°
- Field Angle: 29.7°
- Spacing Criteria: 0.27

∠	0°	45°	90°
0°	13572	13572	13572
5°	10992	10455	10197
10°	5158	4752	4445
15°	1571	1372	1318
20°	373	338	366
25°	115	112	123
30°	57	53	55
35°	35	32	32
40°	22	20	19
45°	12	11	10

SP - 20° Spot

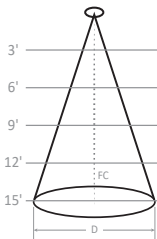
- Input Power: 15.7W
- Lumens: 1571lm
- Efficacy: 100 lm/W
- CBCP: 9409
- Beam Angle: 20.1°
- Field Angle: 41.4°
- Spacing Criteria: 0.35

∠	0°	45°	90°
0°	9278	9278	9278
5°	8499	8097	7708
10°	5498	5051	4641
15°	2885	2561	2309
20°	1329	1140	1018
25°	543	469	403
30°	201	173	150
35°	80	73	67
40°	42	39	37
45°	22	20	19

NFL - 25° Narrow Flood

- Input Power: 15.7W
- Lumens: 1443 lm
- Efficacy: 92 lm/W
- CBCP: 6267
- Beam Angle: 25.2°
- Field Angle: 46.6°
- Spacing Criteria: 0.45

∠	0°	45°	90°
0°	6242	6242	6242
5°	5859	5763	5664
10°	4409	4233	4056
15°	2691	2480	2348
20°	1318	1184	1086
25°	559	491	441
30°	258	215	193
35°	118	104	93
40°	54	49	44
45°	27	25	24



FL - 36° Flood

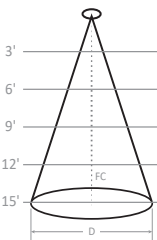
- Input Power: 15.7W
- Lumens: 1448 lm
- Efficacy: 92 lm/W
- CBCP: 3171
- Beam Angle: 36.1°
- Field Angle: 66.4°
- Spacing Criteria: 0.65

∠	0°	45°	90°
0°	3165	3165	3165
5°	3063	3082	3094
10°	2743	2738	2739
15°	2151	2110	2104
20°	1467	1409	1392
25°	898	864	830
30°	515	496	467
35°	287	272	255
40°	151	143	134
45°	79	75	69

WFL - 53° Wide Flood

- Input Power: 16.3W
- Lumens: 1367 lm
- Efficacy: 84 lm/W
- CBCP: 1296
- Beam Angle: 57.3°
- Field Angle: 105.3°
- Spacing Criteria: 1.09

∠	0°	45°	90°
0°	1624	1624	1624
5°	1573	1581	1599
10°	1467	1478	1493
15°	1326	1336	1342
20°	1144	1143	1139
25°	927	921	901
30°	697	686	665
35°	491	482	468
40°	338	329	317
45°	224	216	204



OUTPUT MULTIPLIER	
Package	Multiplier
1200 lumens; 11W	0.78

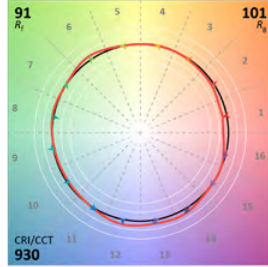
CRI-CCT MULTIPLIERS			
CCT	95 CRI	98+ CRI	MonoWhite
2200K	0.80	0.71	--
2500K	0.85	0.76	--
2700K	0.92	0.73	--
3000K	1.00	0.75	0.86
3500K	1.04	0.79	0.88
4000K	1.05	0.80	--
5000K	1.06	0.81	--

LCS LUCIE

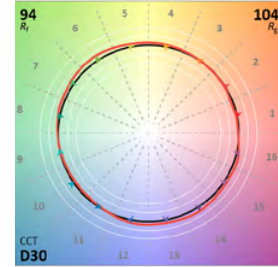
LUCIE SMALL 2.5" CANOPY MOUNT FIXTURE

TM30 COLOR REPORTS

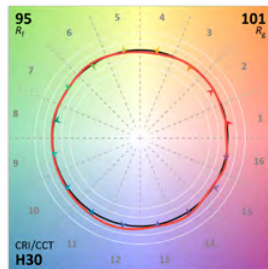
- 3000K with 95 CRI
- $R_A = 95$; $R_g = 62$
- $R_f = 91$; $R_g = 101$



- 3000K with 95 CRI
- $R_A = 95$; $R_g = 62$
- $R_f = 91$; $R_g = 101$



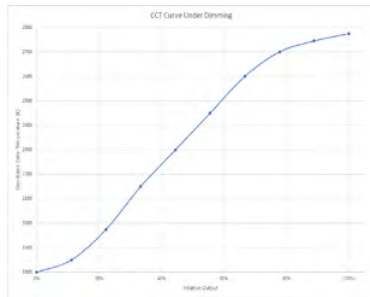
- 3000K with 98+ CRI
- $R_A = 98$; $R_g = 96$
- $R_f = 95$; $R_g = 101$



DLC DETAILS

LCS	VNSP	NSP	SP	NFL	FL	WFL
600 lumens	n/a	n/a	n/a	n/a	n/a	n/a
1200 lumens	n/a	n/a				
1600 lumens	n/a	n/a				
1000 lumens (Dim to Warm)	n/a	n/a	n/a	n/a	n/a	n/a

DIM TO WARM DETAILS | Dim to Warm only available with NFL, FL, and WFL beam spreads @ 16W; 1000 lumens; 90+CRI



SP - 20° Narrow Flood

- Input Power: 15.3W
- Lumens: 1039 lm
- Efficacy: 68 lm/W
- CBCP: 6356
- Beam Angle: 20.2°
- Field Angle: 39.9°
- Spacing Criteria: 0.36

∠	0°	45°	90°
0°	6297	6297	6297
5°	5798	5559	5423
10°	3744	3415	3256
15°	1808	1589	1529
20°	735	686	663
25°	295	281	267
30°	107	105	94
35°	42	40	36
40°	20	19	18
45°	10	9	9

NFL - 25° Narrow Flood

- Input Power: 15.3W
- Lumens: 932 lm
- Efficacy: 61 lm/W
- CBCP: 4304
- Beam Angle: 24.7°
- Field Angle: 45.2°
- Spacing Criteria: 0.44

∠	0°	45°	90°
0°	4262	4262	4262
5°	4067	3976	3846
10°	3063	2936	2786
15°	1825	1711	1604
20°	848	798	728
25°	330	305	292
30°	138	126	117
35°	63	57	54
40°	30	27	26
45°	15	14	13

FL - 36° Flood

- Input Power: 15.3W
- Lumens: 939 lm
- Efficacy: 62 lm/W
- CBCP: 2110
- Beam Angle: 35.9°
- Field Angle: 65.5°
- Spacing Criteria: 0.65

∠	0°	45°	90°
0°	2091	2091	2091
5°	2074	2048	2009
10°	1876	1829	1759
15°	1473	1411	1325
20°	1000	952	882
25°	602	571	528
30°	341	318	298
35°	184	170	161
40°	97	89	85
45°	50	46	44

WFL - 55° Wide Flood

- Input Power: 15.3W
- Lumens: 939 lm
- Efficacy: 62 lm/W
- CBCP: 1003
- Beam Angle: 55.2°
- Field Angle: 96.9°
- Spacing Criteria: 1.05

∠	0°	45°	90°
0°	995	995	995
5°	986	976	967
10°	935	935	919
15°	850	860	847
20°	736	751	737
25°	604	611	593
30°	468	465	446
35°	335	333	316
40°	234	231	221
45°	154	152	146

