

PROJECT \_\_\_\_\_ TYPE \_\_\_\_\_

SPECIFIER \_\_\_\_\_ MEMO \_\_\_\_\_

ORDERING CODE BREAKDOWN

# LCM LUCIE

## LUCIE MEDIUM 3" CANOPY MOUNT FIXTURE

### MAIN FEATURES

- 95 CRI Standard
- 359° rotation; 0-90° head tilt
- Delivering up to 2300 lumens at 24W
- Custom integrated driver meets IEEE 1789-2015 Low Risk flicker category across dimming range
- Custom TIR optic platform to ensure smooth beams and excellent light control with no need for a solite lens
- Accommodates up to two accessories in addition to snoot



FIXTURE	VOLTAGE	BEAM SPREAD	CRI	CCT	LUMENS	FINISH	MOUNTING	OPTIONS
LCM : Medium Lucie	1 : 120V, 1% phase-cut dimming	NSP : 15°	9 : 95 CRI	22 <sup>3</sup> : 2200K	2000 : 19W	PW : Perfect White	CM : Canopy Mount, 4" j-box	LS : Linear Spread Lens
	2 : 120-277V, 1% 0-10V dimming	NFL : 24°	H <sup>1</sup> : 98+ CRI	25 <sup>3</sup> : 2500K	2300 : 24W	BK : Black	CM-S6 <sup>5</sup> : 4" j-box, 6" stem	HL <sup>4</sup> : Honeycomb Louver
		MFL : 30°	M <sup>2</sup> : Monowhite	27 : 2700K		SV : Silver	CM-S12 <sup>5</sup> : 4" j-box, 12" stem	SS : Solite Spread Lens
		FL : 40°		30 : 3000K	BA : Brushed Aluminum	CM-S18 <sup>5</sup> : 4" j-box, 18" stem	SN <sup>4</sup> : Snoot	
		WFL : 52°		35 : 3500K	BG : Brushed Gold	CM-S24 <sup>5</sup> : 4" j-box, 24" stem		
				40 : 4000K	GD : Gold	CMM : Canopy Mount, 3.5" j-box		
				50 : 5000K	BZ : Bronze	CMM-S6 <sup>5</sup> : 3.5" j-box, 6" stem		
					CR : Chrome	CMM-S12 <sup>5</sup> : 3.5" j-box, 12" stem		
					RC : Rose Gold Chrome	CMM-S18 <sup>5</sup> : 3.5" j-box, 18" stem		
				BC : Black Chrome	CMM-S24 <sup>5</sup> : 3.5" j-box, 24" stem			
			GC : Gold Chrome					

Notes: <sup>1</sup>98+ CRI produces less measured lumens. See photometric data.  
<sup>2</sup>MonoWhite produces less measured lumens; see photometric data. CRI specification unavailable.  
<sup>3</sup>2200K, 2500K are only available with '9' and are 90+ CRI  
<sup>4</sup>HL recommended only with NSP or NFL; SN recommended only with NSP, NFL, MFL or FL  
<sup>5</sup>Consult factory for stem custom orders

PROJECT	TYPE

# LCM LUCIE

## LUCIE MEDIUM 3" CANOPY MOUNT FIXTURE

### MOUNTING + ELECTRICAL + CONTROLS

- 120-277V
- CM: Designed for 4" octagonal junction box
- CMM: Designed for 3.5" octagonal junction box

### CONSTRUCTION + FINISH

- Weight: 13.4 oz.
- Die-cast aluminum alloy housing for optimal thermal performance
- Finishes:
  - Available in painted, polished, and brushed aluminum; consult factory for custom finishes
  - White: RAL 9003
  - Black: RAL 9005
  - Silver: RAL 7001
- Solais Signature Series finishes also available

### RATINGS + CERTIFICATIONS

- IP20 and IK08 rated
- DLC listings (*family code: IIIIONW*)
- 120V: UL AND cUL Listed for dry location (*E487826*), CEC Title 24, JA8 + JA10 compliant
- 277V: UL and cUL Listed for dry location (*E487826*)

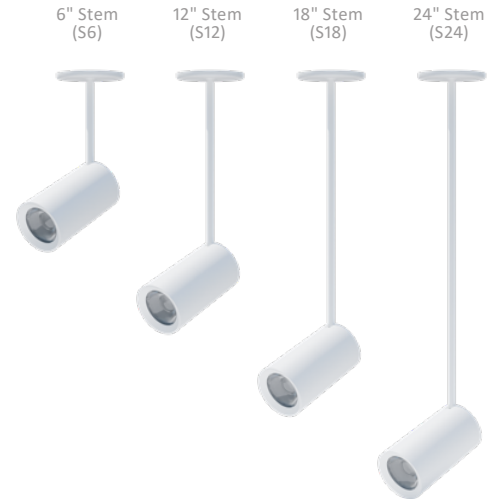
### OPTICS + PERFORMANCE

- 5 custom beam spreads available
  - Narrow Spot - 15°
  - Narrow Flood - 24°
  - Medium Flood - 30°
  - Flood - 40°
  - Wide Flood - 52°
- 2 performance packages
  - 19W; 2000 lumens
  - 24W; 2300 lumens
- Color Temperatures
  - 95 CRI: 2200K, 2500K, 2700K, 3000K, 3500K, 4000K, 5000K
  - 98+ CRI: 2700K, 3000K, 3500K, 4000K, 5000K
  - MonoWhite: 3000K or 3500K
- *Solais' exclusive color enhancing technology intensifies contrast, brightens whites and pops colors by bridging the cyan color gap with higher gamut color rendering*
- Fixture life:
  - Full power: 50,000 hours
  - 75% power: 100,000 hours
  - Below 50% power: 125,000 hours
- LED 90% lumen maintenance (LM<sub>90</sub>): 60,000 hours

### WARRANTY

- 5-year warranty

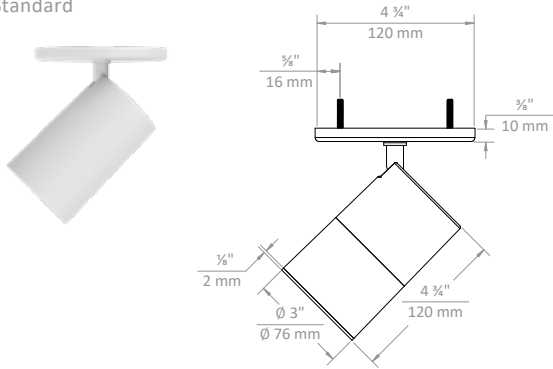
Consult factory for mix + match finishes of fixtures and/or snoots



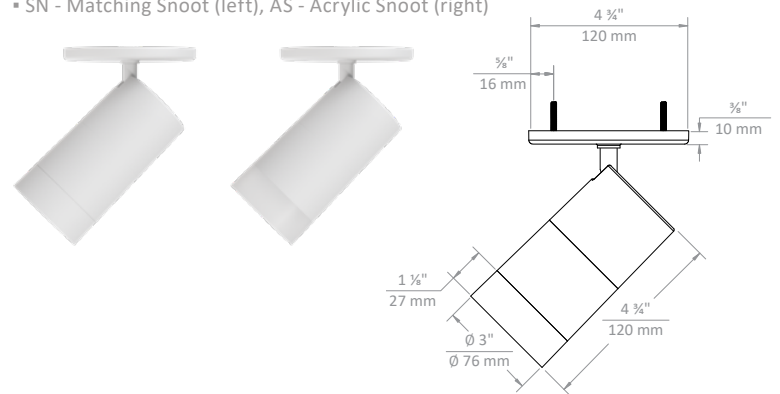
### CM CANOPY MOUNT FOR 4" J-BOX

45°

- Standard



- SN - Matching Snoot (left), AS - Acrylic Snoot (right)



0°

- Standard (left), SN- Snoot (right)



90°

- Standard (left), SN- Snoot (right)



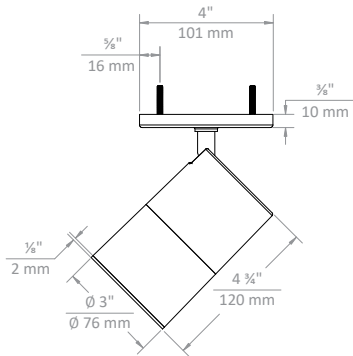
# LCM LUCIE

## LUCIE MEDIUM 3" CANOPY MOUNT FIXTURE

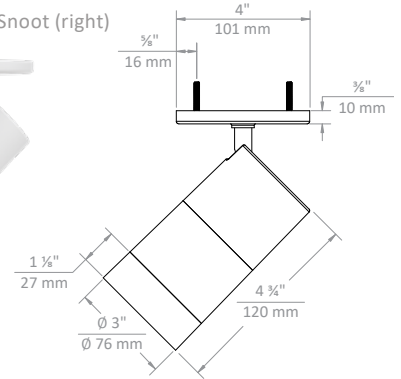
### CMM CANOPY MOUNT FOR 3.5" J-BOX

45°

▪ Standard

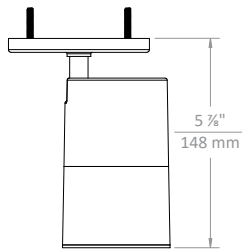


▪ SN - Matching Snoot (left), AS - Acrylic Snoot (right)



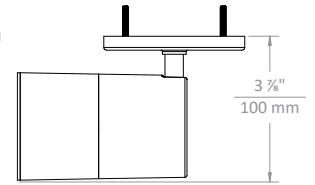
0°

▪ Standard (left), SN- Snoot (right)



90°

▪ Standard (left), SN- Snoot (right)



### FINISHES *Shown with snoots and hex louvers.*

#### Standard Finishes



Perfect White (PW)

Black (BK)

Silver (SV)

#### Mix + Match



Consult factory for mix + match finishes of fixtures and/or snoots

#### Signature Series Finishes



Brushed Gold (BG)

Brushed Aluminum (BA)

Chrome (CR)

Bronze (BZ)

Black Chrome (BC)

Rose Gold Chrome (RC)

Gold (GD)

Gold Chrome (GC)

PROJECT	TYPE
---------	------

**PHOTOMETRIC DETAILS | baseline X output multiplier X cri-cct multiplier = final output**

Baseline data shown below for LCM/1/\_/\_/930/2300/\_/\_/\_ — 24W, 2300 lumens, 3000K, 95 CRI

**NSP - 15° Narrow Spot**

- Input Power: 24.2 W
- Lumens: 1831 lm
- Efficacy: 76 lm/W
- CBCP: 19784
- Beam Angle: 15.6°
- Field Angle: 29.4°
- Spacing Criteria: 0.27

∠	0°	45°	90°
0°	19736	19736	19736
5°	14865	13901	13797
10°	6393	5713	5675
15°	1780	1528	1598
20°	447	402	449
25°	151	138	160
30°	74	68	74
35°	43	41	42
40°	26	24	25
45°	14	13	13

**NFL - 24° Narrow Flood**

- Input Power: 24.0 W
- Lumens: 2481 lm
- Efficacy: 103 lm/W
- CBCP: 7155
- Beam Angle: 24.4°
- Field Angle: 54.4°
- Spacing Criteria: 0.43

∠	0°	45°	90°
0°	7154	7154	7154
5°	6326	6392	6523
10°	4352	4398	4608
15°	2671	2654	2818
20°	1570	1548	1680
25°	897	898	994
30°	441	434	501
35°	197	189	223
40°	91	90	104
45°	40	39	45

**MFL - 30° Medium Flood**

- Input Power: 24.4 W
- Lumens: 2346 lm
- Efficacy: 96 lm/W
- CBCP: 6562
- Beam Angle: 29.6°
- Field Angle: 56.7°
- Spacing Criteria: 0.53

∠	0°	45°	90°
0°	6518	6518	6518
5°	6256	6108	6047
10°	5143	4915	4803
15°	3531	3299	3207
20°	2079	1942	1885
25°	1096	1029	1005
30°	585	542	531
35°	315	292	283
40°	165	151	146
45°	79	72	69

**FL - 40° Flood**

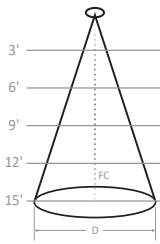
- Input Power: 24.4 W
- Lumens: 2326 lm
- Efficacy: 95 lm/W
- CBCP: 3955
- Beam Angle: 40.4°
- Field Angle: 71.9°
- Spacing Criteria: 0.73

∠	0°	45°	90°
0°	3950	3950	3950
5°	3858	3839	3835
10°	3541	3483	3483
15°	2918	2824	2822
20°	2120	2018	2018
25°	1369	1287	1291
30°	826	764	770
35°	468	427	429
40°	254	231	232
45°	135	123	123

**WFL - 52° Wide Flood**

- Input Power: 24.4 W
- Lumens: 2381 lm
- Efficacy: 98 lm/W
- CBCP: 2540
- Beam Angle: 51.6°
- Field Angle: 93.5°
- Spacing Criteria: 0.97

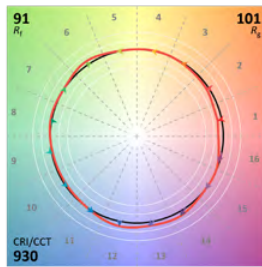
∠	0°	45°	90°
0°	2523	2523	2523
5°	2481	2474	2469
10°	2355	2336	2333
15°	2142	2104	2092
20°	1804	1761	1753
25°	1411	1362	1347
30°	1021	969	949
35°	691	663	650
40°	463	450	444
45°	311	302	302



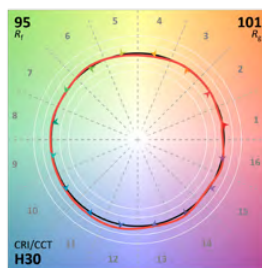
3'	0.82' D; 1535 FC	1.30' D; 556 FC	1.58' D; 507 FC	2.20' D; 307 FC	2.90' D; 196 FC
6'	1.64' D; 384 FC	2.59' D; 139 FC	3.16' D; 127 FC	4.41' D; 77 FC	5.79' D; 49 FC
9'	2.46' D; 171 FC	3.89' D; 62 FC	4.75' D; 56 FC	6.61' D; 34 FC	8.69' D; 22 FC
12'	3.28' D; 96 FC	5.19' D; 35 FC	6.33' D; 32 FC	8.82' D; 19 FC	11.59' D; 12 FC
15'	4.10' D; 61 FC	6.49' D; 22 FC	7.91' D; 20 FC	11.02' D; 12 FC	14.49' D; 8 FC

**TM30 COLOR REPORTS**

- 3000K with 95 CRI
- $R_A = 95$ ;  $R_g = 62$
- $R_f = 91$ ;  $R_g = 101$



- 3000K with 98+ CRI
- $R_A = 98$ ;  $R_g = 96$
- $R_f = 95$ ;  $R_g = 101$



**DLC DETAILS**

LCM	VNSP	NFL	MFL	FL	WFL
2000 lumens	n/a	DLC	DLC	DLC	DLC
2300 lumens	n/a	DLC	DLC	DLC	DLC

**CRI-CCT MULTIPLIERS**

CCT	95 CRI	98+ CRI	MonoWhite
2200K	0.80	0.71	--
2500K	0.85	0.76	--
2700K	0.92	0.73	--
3000K	1.00	0.75	0.86
3500K	1.04	0.79	0.88
4000K	1.05	0.80	--
5000K	1.06	0.81	--

**OUTPUT MULTIPLIER**

Package	Multiplier
2000 lumens; 19 W	0.83