

PROJECT _____ TYPE _____

MEMO _____

ORDERING CODE BREAKDOWN

2.5-INCH SMALL LUCIE FIXTURE CONTROLS READY TRACKHEAD

MAIN FEATURES

- Wireless controls-ready Lucie trackhead
- 95 CRI Standard; 98+ CRI option available
- Delivering up to 2300 lumens at 3000K, 95 CRI and 24W
- Custom integrated driver meets IEEE 1789-2015 Low Risk flicker category across dimming range
- Custom TIR optic platform to ensure smooth beams and excellent light control with no need for a solite lens
- 359° rotation; 0-90° head tilt
- Available with J-, L-, H-, GPC-, and GPxc-type adapters
- GPC and GPxc concealed adapters are designed to be used with Solais' Architectural Gaia+ track systems only
- Accommodates up to two accessories in addition to snoot

LCV with J-type Adapter



FIXTURE	VOLTAGE	BEAM SPREAD	CRI	CCT	LUMENS	FINISH	MOUNTING	OPTIONS
LCV	DA : 120-277V, DALI-2 D4i Driver	VNSP : 9°	9 : 95 CRI	22 : 2200K	600 : 9W	PW : Perfect White	J : J-type (1/1) Adapter	SN : Snoot
		NSP : 16°	H : 98 CRI	25 : 2500K	1000 : 16W	BK : Black	H : H-type (1/1) Adapter	HL : Honeycomb Louver
		NFL : 25°	D : Dim-to-Warm	27 : 2700K	1200 : 11W	SV : Silver	L : L-type (1/1) Adapter	SS : Solite Spread Lens
		FL : 36°		30 : 3000K	1600 : 16W	BA : Brushed Aluminum	GPC : Gaia+ 120V, 2/2, concealed adapter	LS : Linear Spread Lens
		WFL : 53°	35 : 3500K	2000 : 21W	BG : Brushed Gold	GPxc : Gaia+ 120V, 3/1, concealed adapter	LEV : Leviton Intellect Node CAS : Casambi Node AWN-R-PW : White Lutron Athena Node AWN-R-BK : Black Lutron Athena Node	
			40 : 4000K	2300 : 24W	GD : Gold			
			50 : 5000K	BZ : Bronze				
			CR : Chrome					
			RC : Rose Gold Chrome BC : Black Chrome GC : Gold Chrome					

Notes: VNSP and NSP unavailable with MonoWhite or Dim to Warm.
 98+ CRI produces less measured lumens. See photometric data.
 2200K, 2500K are only available with '9' and are 90+ CRI
 Consult factory for stem custom orders; only available with Gaia and Gaia+ adapters.
 HL recommended only with NSP or NFL; SN recommended only with NSP, NFL or FL
 J-, L-, and H-type adapters match finish selection.; GPC and GPxc adapters are always black. Consult factory for other options.

PROJECT _____

TYPE _____

2.5-INCH SMALL LUCIE FIXTURE CONTROLS READY TRACKHEAD

CONSTRUCTION + FINISH

- Weight: 18.2 oz.
- Die-cast aluminum alloy housing for optimal thermal performance
- Standard finishes:
 - White: RAL 9003
 - Black: RAL 9005
 - Silver: RAL 7001
- Available in painted, polished, and brushed aluminum; consult factory for custom finishes

ELECTRICAL + CONTROLS

- 120-277V
- Integrated DALI-2 D4i driver with 0.1% Logarithmic Dimming
- Selected wireless node option will be pre-wired to the DALI control wires; if no selection, the DALI control wires will be wired to the adapter for DALI-2 dimming
 - 3 Wireless node options
 - Lutron Athena
 - Leviton Intellect
 - Casambi

OPTICS + PERFORMANCE

- 5 custom beam spreads available
 - Very Narrow Spot - 9°
 - Narrow Spot - 16°
 - Narrow Flood - 25°
 - Flood - 36°
 - Wide Flood - 53°
- 5 performance packages
 - 9W; 600 lumens (VNSP only)
 - 15W; 1000 lumens (Dim to Warm only)
 - 11W; 1200 lumens
 - 16W; 1600 lumens
 - 21W; 2000 lumens
 - 24W; 2300 lumens
- Color Temperatures
 - 95 and 98+ CRI
 - 2200K, 2500K, 2700K, 3000K, 3500K, 4000K, 5000K
- Fixture life:
 - Full power: 50,000 hours
 - 75% power: 100,000 hours
 - Below 50% power: 125,000 hours
 - LED 90% lumen maintenance: 60,000 hours

MOUNTING

- J-type, L-type, H-type: 120V, 1-circuit/1-neutral; Low profile adapter
- GPC-type: 120V, 2-circuit/2-neutral; concealed adapter
- GPXC-type: 120V, 3-circuit/1-neutral; concealed adapter

RATINGS + CERTIFICATIONS

- IP20 and IK08 rated
- 120V: UL Listed for dry location (E487826), CEC Title 24, JA8 + JA10 compliant
- 277V: UL listing for dry location (E487826)

WARRANTY

- 5-year warranty

FINISHES

Shown with J-type adapters, with matching snoots and hex louvers.

NOTE: Lutron Athena node available in white or black only;

Casambi node available in white only; Leviton node available in white only.

Standard



Signature Series Finishes



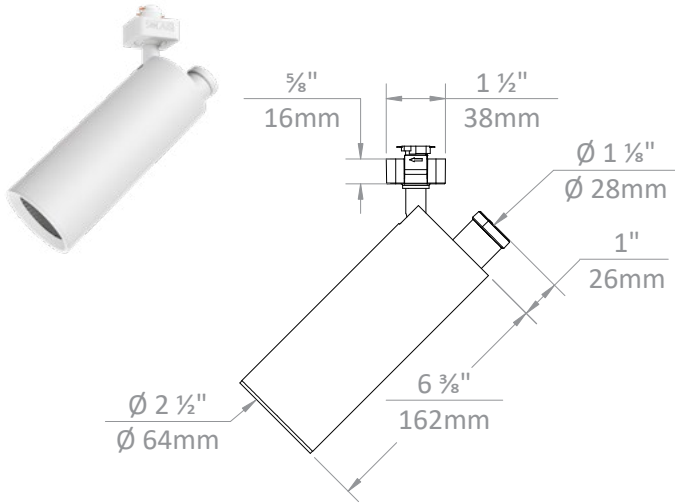
PROJECT _____

TYPE _____

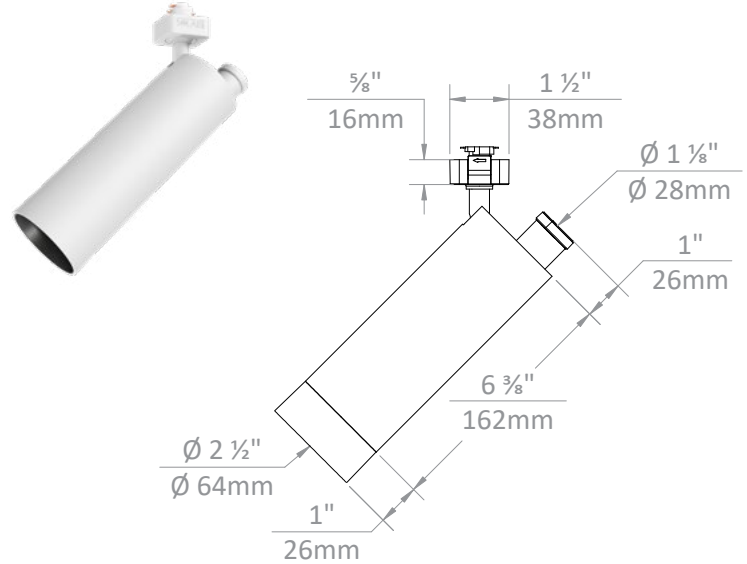
2.5-INCH SMALL LUCIE FIXTURE CONTROLS READY TRACKHEAD

IMAGE VARIATIONS AND DIMENSIONAL DETAILS

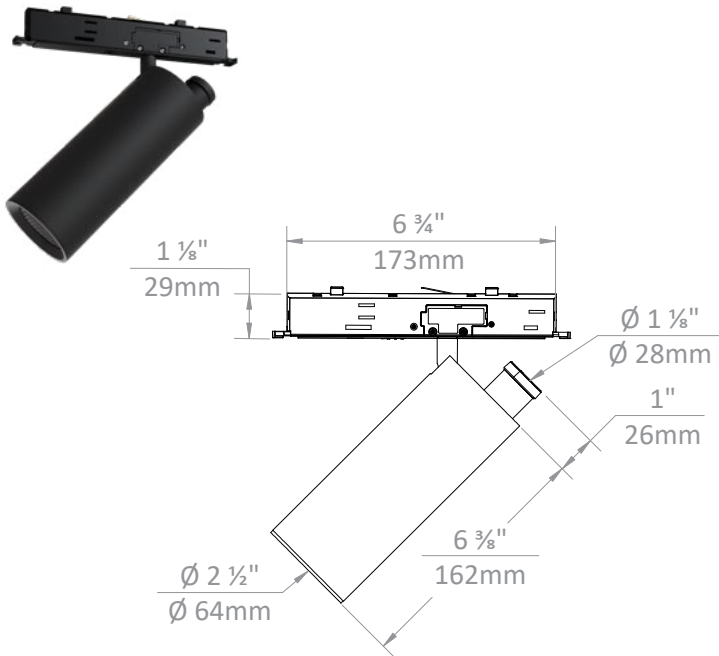
▪ LCV with J-, L-, H-type adapter



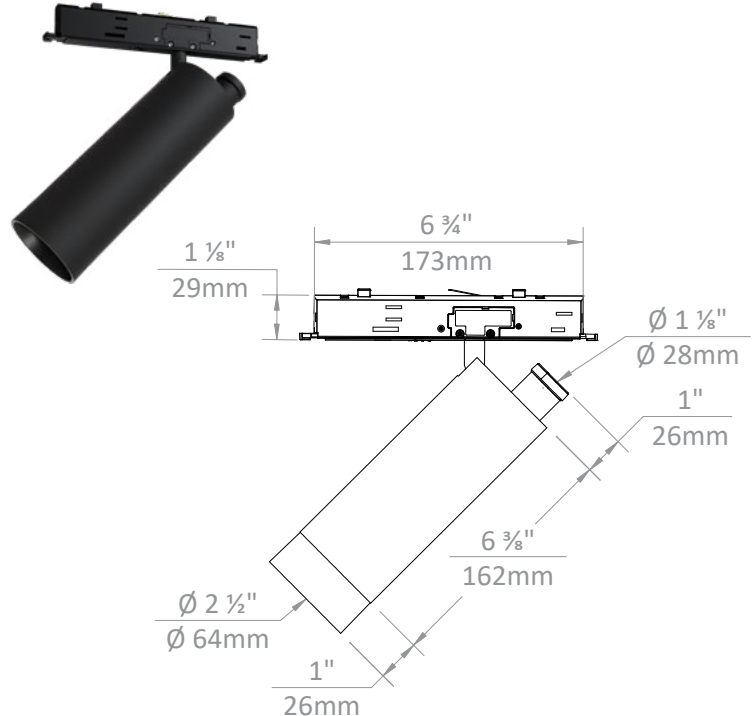
▪ LCV with Snoot and J-, L-, H-type adapter



▪ LCV with GPC, GPxc-type concealed adapter



▪ LCV with Snoot and GPC, GPxc-type adapter



PROJECT _____

TYPE _____

2.5-INCH SMALL LUCIE FIXTURE CONTROLS READY TRACKHEAD

PHOTOMETRIC DETAILS | baseline X output multiplier X cri-cct multiplier = final output

Baseline data shown below for LCV/DA/___/930/2300/___/___ — 24W, 2300 lumens, 3000K, 95 CRI

VNSP - 9° Very Narrow Spot

- Input Power: 8.7W
- Lumens: 604 lm
- Efficacy: 69 lm/W
- CBCP: 10483
- Beam Angle: 10.3°
- Field Angle: 21.8°
- Spacing Criteria: 0.18

∠	0°	45°	90°
0°	10195	10195	10195
5°	6539	6641	6518
10°	1443	1454	1508
15°	536	553	572
20°	232	249	271
25°	109	113	120
30°	59	64	65
35°	36	38	40
40°	25	26	27
45°	17	17	18

NSP - 15° Narrow Spot

- Input Power: 24.2 W
- Lumens: 1831 lm
- Efficacy: 76 lm/W
- CBCP: 19784
- Beam Angle: 15.6°
- Field Angle: 29.4°
- Spacing Criteria: 0.27

∠	0°	45°	90°
0°	19736	19736	19736
5°	14865	13901	13797
10°	6393	5713	5675
15°	1780	1528	1598
20°	447	402	449
25°	151	138	160
30°	74	68	74
35°	43	41	42
40°	26	24	25
45°	14	13	13

NFL - 24° Narrow Flood

- Input Power: 24.0 W
- Lumens: 2481 lm
- Efficacy: 103 lm/W
- CBCP: 7155
- Beam Angle: 24.4°
- Field Angle: 54.4°
- Spacing Criteria: 0.43

∠	0°	45°	90°
0°	7154	7154	7154
5°	6326	6392	6523
10°	4352	4398	4608
15°	2671	2654	2818
20°	1570	1548	1680
25°	897	898	994
30°	441	434	501
35°	197	189	223
40°	91	90	104
45°	40	39	45

FL - 40° Flood

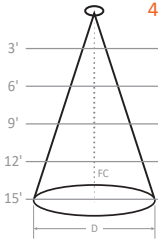
- Input Power: 24.4 W
- Lumens: 2326 lm
- Efficacy: 95 lm/W
- CBCP: 3955
- Beam Angle: 40.4°
- Field Angle: 71.9°
- Spacing Criteria: 0.73

∠	0°	45°	90°
0°	3950	3950	3950
5°	3858	3839	3835
10°	3541	3483	3483
15°	2918	2824	2822
20°	2120	2018	2018
25°	1369	1287	1291
30°	826	764	770
35°	468	427	429
40°	254	231	232
45°	135	123	123

WFL - 52° Wide Flood

- Input Power: 24.4 W
- Lumens: 2381 lm
- Efficacy: 98 lm/W
- CBCP: 2540
- Beam Angle: 51.6°
- Field Angle: 93.5°
- Spacing Criteria: 0.97

∠	0°	45°	90°
0°	2523	2523	2523
5°	2481	2474	2469
10°	2355	2336	2333
15°	2142	2104	2092
20°	1804	1761	1753
25°	1411	1362	1347
30°	1021	969	949
35°	691	663	650
40°	463	450	444
45°	311	302	302



3'	0.54' D; 793 FC
6'	1.08' D; 198 FC
9'	1.61' D; 88 FC
12'	2.15' D; 50 FC
15'	2.69' D; 32 FC

3'	0.82' D; 1535 FC
6'	1.64' D; 384 FC
9'	2.46' D; 171 FC
12'	3.28' D; 96 FC
15'	4.10' D; 61 FC

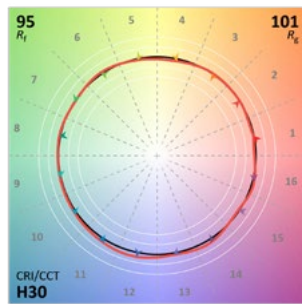
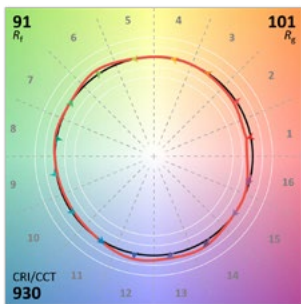
3'	1.30' D; 556 FC
6'	2.59' D; 139 FC
9'	3.89' D; 62 FC
12'	5.19' D; 35 FC
15'	6.49' D; 22 FC

3'	2.20' D; 307 FC
6'	4.41' D; 77 FC
9'	6.61' D; 34 FC
12'	8.82' D; 19 FC
15'	11.02' D; 12 FC

3'	2.90' D; 196 FC
6'	5.79' D; 49 FC
9'	8.69' D; 22 FC
12'	11.59' D; 12 FC
15'	14.49' D; 8 FC

TM30 COLOR REPORTS

- 3000K with 95 CRI
- R_A = 95; R_g = 62
- R_f = 91; R_g = 101
- 3000K with 98+ CRI
- R_A = 98; R_g = 96
- R_f = 95; R_g = 101



OUTPUT MULTIPLIER

Package	Multiplier
1200 lumens; 11W	0.56
1600 lumens; 16W	0.69
2000 lumens; 19W	0.89

CRI-CCT MULTIPLIERS

CCT	95 CRI	98+ CRI
2200K	0.80	--
2500K	0.85	--
2700K	0.92	0.73
3000K	1.00	0.75
3500K	1.04	0.79
4000K	1.05	0.80
5000K	1.06	0.81

PROJECT _____

TYPE _____

2.5-INCH SMALL LUCIE FIXTURE CONTROLS READY TRACKHEAD

DIM TO WARM DETAILS | Dim to Warm only available with NFL, FL, and WFL beam spreads @ 16W; 1000 lumens; 90+CRI

SP - 20° Narrow Flood

- Input Power: 15.3W
- Lumens: 1039 lm
- Efficacy: 68 lm/W
- CBCP: 6356
- Beam Angle: 20.2°
- Field Angle: 39.9°
- Spacing Criteria: 0.36

∠	0°	45°	90°
0°	6297	6297	6297
5°	5798	5559	5423
10°	3744	3415	3256
15°	1808	1589	1529
20°	735	686	663
25°	295	281	267
30°	107	105	94
35°	42	40	36
40°	20	19	18
45°	10	9	9

NFL - 25° Narrow Flood

- Input Power: 15.3W
- Lumens: 932 lm
- Efficacy: 61 lm/W
- CBCP: 4304
- Beam Angle: 24.7°
- Field Angle: 45.2°
- Spacing Criteria: 0.44

∠	0°	45°	90°
0°	4262	4262	4262
5°	4067	3976	3846
10°	3063	2936	2786
15°	1825	1711	1604
20°	848	798	728
25°	330	305	292
30°	138	126	117
35°	63	57	54
40°	30	27	26
45°	15	14	13

FL - 36° Flood

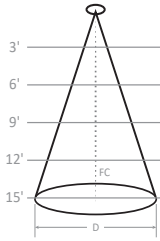
- Input Power: 15.3W
- Lumens: 939 lm
- Efficacy: 62 lm/W
- CBCP: 2110
- Beam Angle: 35.9°
- Field Angle: 65.5°
- Spacing Criteria: 0.65

∠	0°	45°	90°
0°	2091	2091	2091
5°	2074	2048	2009
10°	1876	1829	1759
15°	1473	1411	1325
20°	1000	952	882
25°	602	571	528
30°	341	318	298
35°	184	170	161
40°	97	89	85
45°	50	46	44

WFL - 55° Wide Flood

- Input Power: 15.3W
- Lumens: 939 lm
- Efficacy: 62 lm/W
- CBCP: 1003
- Beam Angle: 55.2°
- Field Angle: 96.9°
- Spacing Criteria: 1.05

∠	0°	45°	90°
0°	995	995	995
5°	986	976	967
10°	935	935	919
15°	850	860	847
20°	736	751	737
25°	604	611	593
30°	468	465	446
35°	335	333	316
40°	234	231	221
45°	154	152	146



1.07' D; 490 FC
2.14' D; 122 FC
3.21' D; 54 FC
4.28' D; 31 FC
5.34' D; 20 FC

1.31' D; 332 FC
2.62' D; 83 FC
3.93' D; 37 FC
5.24' D; 21 FC
6.55' D; 13 FC

1.94' D; 163 FC
3.89' D; 41 FC
5.83' D; 18 FC
7.77' D; 10 FC
9.72' D; 7 FC

3.14' D; 77 FC
6.27' D; 19 FC
9.41' D; 9 FC
12.55' D; 5 FC
15.68' D; 3 FC

- 3000K to 1800K with 98+ CRI
- $R_A = 97$; $R_g = 90$
- $R_f = 94$; $R_g = 104$

