

PROJECT \_\_\_\_\_ TYPE \_\_\_\_\_

SPECIFIER \_\_\_\_\_ MEMO \_\_\_\_\_

ORDERING CODE BREAKDOWN

# LCG LUCIE

## LUCIE GRANDE 4" CANOPY MOUNT FIXTURE

### MAIN FEATURES

- 95 CRI Standard
- 359° rotation; 0-90° head tilt
- Delivering up to 4500 lumens at 45W
- Custom integrated driver meets IEEE 1789-2015 Low Risk flicker category across dimming range
- Custom TIR optic platform to ensure smooth beams and excellent light control with no need for a solite lens
- 1% dim-to-off with 0-10V or phase-cut controls
- Accommodates up to two accessories in addition to snoot



FIXTURE	VOLTAGE	BEAM SPREAD	CRI	CCT	LUMENS	FINISH	MOUNTING	OPTIONS
LCG : Grande Lucie	5 : 120-277V, 1% DTO 0-10V or phase-cut controls	NSP <sup>3</sup> : 12°	9 : 95 CRI	22 <sup>23</sup> : 2200K	2500 <sup>3</sup> : 30W (NSP Only)	PW : Perfect White	CM : Canopy Mount, 4" j-box	LS : Linear Spread Lens
		SP : 18°	H <sup>1</sup> : 98+ CRI	25 <sup>2</sup> : 2500K	3200 : 28W	BK : Black	CM-S6 <sup>5</sup> : 4" j-box, 6" stem	HL <sup>4</sup> : Honeycomb Louver
		NFL : 25°		27 : 2700K	4000 : 36W	SV : Silver	CM-S12 <sup>5</sup> : 4" j-box, 12" stem	SS : Solite Spread Lens
		FL : 39°		30 : 3000K	4500 : 45W	BA : Brushed Aluminum	CM-S18 <sup>5</sup> : 4" j-box, 18" stem	SN <sup>4</sup> : Snoot
		WFL : 52°		35 : 3500K	2200 : 29W (Dim-to-warm)	BG : Brushed Gold	CM-S24 <sup>5</sup> : 4" j-box, 24" stem	SNxx : Mix + Match Snoot
				40 : 4000K		GD : Gold	CMM : Canopy Mount, 3.5" j-box	
				50 : 5000K		BZ : Bronze	CMM-S6 <sup>5</sup> : 3.5" j-box, 6" stem	
						CR : Chrome	CMM-S12 <sup>5</sup> : 3.5" j-box, 12" stem	
						RC : Rose Gold Chrome	CMM-S18 <sup>5</sup> : 3.5" j-box, 18" stem	
						BC : Black Chrome	CMM-S24 <sup>5</sup> : 3.5" j-box, 24" stem	
				GC : Gold Chrome				

Notes: <sup>1</sup>98+ CRI produces less measured lumens. See photometric data  
<sup>2</sup>2200K, 2500K unavailable with 'H' - 98+ CRI  
<sup>3</sup>NSP unavailable with 2200K; only available with 2500 lumen package  
<sup>4</sup>HL recommended only with NSP, SP, or NFL; SN recommended only with NSP, SP, NFL or FL  
<sup>5</sup>Consult factory for stem custom orders.

## LCG LUCIE

J-, L-, H- | GAIA™ | GAIA+™  
LUCIE GRANDE 4" TRACKHEAD

### MOUNTING + ELECTRICAL + CONTROLS

- 120-277V
- CM: Designed for 4" octagonal junction box
- CMM: Designed for 3.5" octagonal junction box

### OPTICS + PERFORMANCE

- 5 custom beam spreads available
  - Narrow Spot - 12° (30W; 2500 lumens only)
  - Spot - 18°
  - Narrow Flood - 25°
  - Flood - 39°
  - Wide Flood - 52°
- 4 performance packages
  - 30W; 2500 lumens (NSP Only)
  - 28W; 3200 lumens
  - 36W; 4000 lumens
  - 45W; 4500 lumens
  - 29W; 2200 lumens (Dim-to-warm)
- Color Temperatures
  - 95 CRI: 2200K, 2500K, 2700K, 3000K, 3500K, 4000K
  - 98+ CRI: 2700K, 3000K, 3500K, 4000K
- Fixture life:
  - Full power: 50,000 hours
  - 75% power: 100,000 hours
  - Below 50% power: 125,000 hours
  - LED 90% lumen maintenance (LM<sub>90</sub>): 60,000 hours

### CONSTRUCTION + FINISH

- Weight: 2.67 lbs.
- Die-cast aluminum alloy housing for optimal thermal performance
- Finishes:
  - Available in painted, polished, and brushed aluminum; consult factory for custom finishes
  - White: RAL 9003
  - Black: RAL 9005
  - Silver: RAL 7001
- Solais Signature Series finishes also available

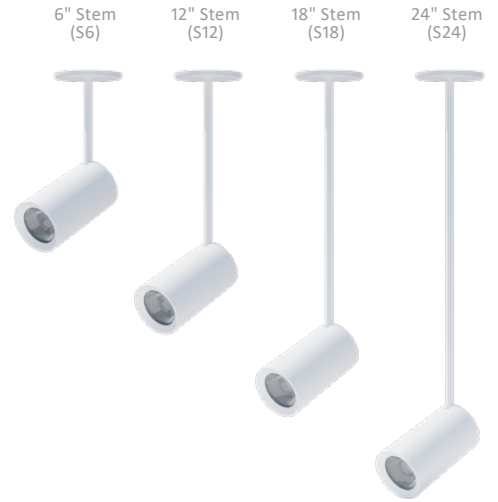
### RATINGS + CERTIFICATIONS

- IP20 and IK08 rated
- 120V: UL and cUL Listed for dry location (E487826), CEC Title 24, JA8 + JA10 compliant
- 277V: UL and cUL Listed for dry location (E487826)

### WARRANTY

- 5-year warranty

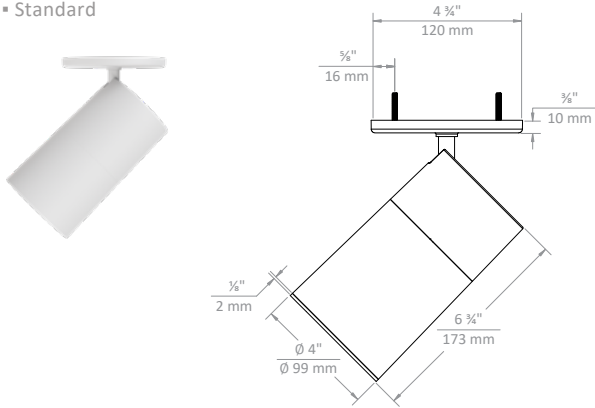
Consult factory for mix + match finishes of fixtures and/or snoots



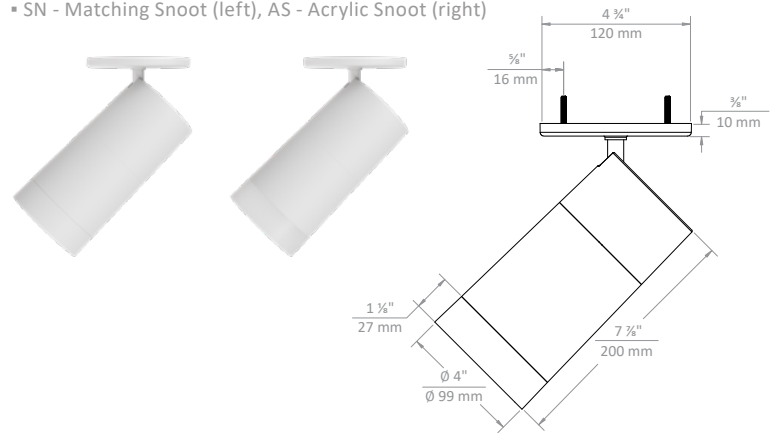
### CM - DESIGNED FOR 4" OCTAGONAL J-BOX

45°

- Standard

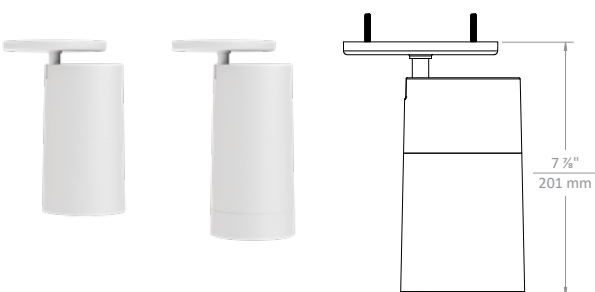


- SN - Matching Snoot (left), AS - Acrylic Snoot (right)



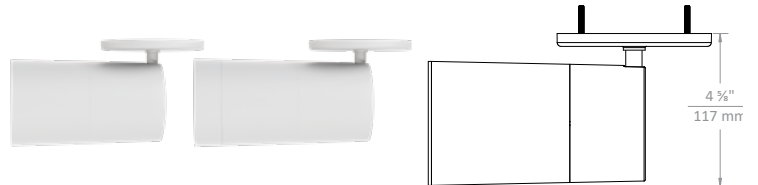
0°

- Standard (left), SN- Snoot (right)



90°

- Standard (left), SN- Snoot (right)



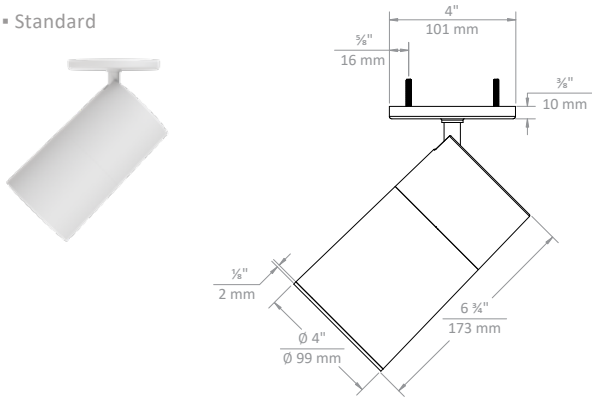
## LCG LUCIE

J-, L-, H- | GAIA™ | GAIA+™  
LUCIE GRANDE 4" TRACKHEAD

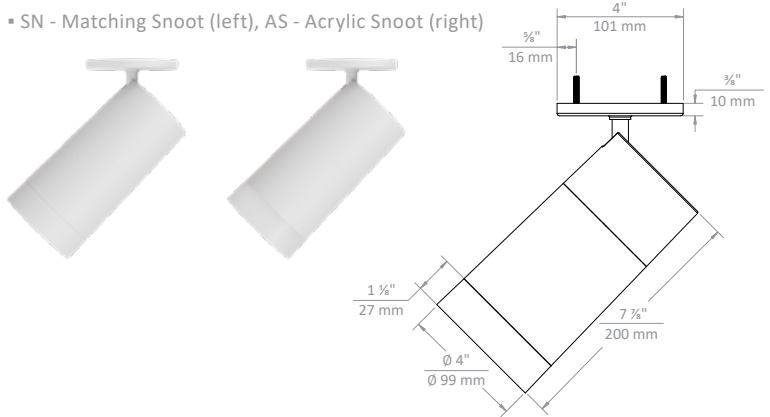
### CMM - DESIGNED FOR 3.5" OCTAGONAL J-BOX

45°

▪ Standard



▪ SN - Matching Snoot (left), AS - Acrylic Snoot (right)



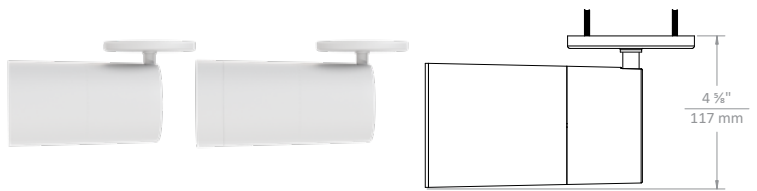
0°

▪ Standard (left), SN- Snoot (right)



90°

▪ Standard (left), SN- Snoot (right)



### FINISHES Shown with snoots and hex louvers.

#### Standard Finishes



#### Mix + Match



Consult factory for mix + match finishes of fixtures and/or snoots

#### Signature Series Finishes



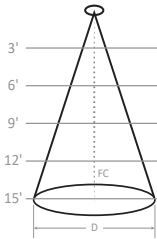
PHOTOMETRIC DETAILS | **baseline X output multiplier X cri-cct multiplier = final output**

Baseline data shown below for 45W, 4500 lumens, 3000K, 95 CRI

**NSP - 12° Narrow Spot**

- Input Power: 30.0 W
- Lumens: 2547 lm
- Efficacy: 84 lm/W
- CBCP: 36979 cd
- Beam Angle: 12.9°
- Field Angle: 22.7°
- Spacing Criteria: 0.23

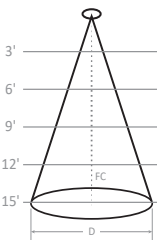
∠	0°	45°	90°
0°	36801	36801	36801
5°	25916	26347	27907
10°	6252	6317	7152
15°	1486	1427	1545
20°	738	737	781
25°	421	422	441
30°	235	237	246
35°	131	135	138
40°	84	87	89
45°	58	59	60



**FL - 39° Flood**

- Input Power: 45.0 W
- Lumens: 4402 lm
- Efficacy: 98 lm/W
- CBCP: 9571 cd
- Beam Angle: 39.6°
- Field Angle: 58.0°
- Spacing Criteria: 0.72

∠	0°	45°	90°
0°	9414	9414	9414
5°	9464	9407	9335
10°	9261	9247	9116
15°	7782	7914	7891
20°	4970	5152	5241
25°	2403	2504	2574
30°	817	875	907
35°	259	257	270
40°	118	117	123
45°	74	75	78



**SP - 18° Spot**

- Input Power: 45.0 W
- Lumens: 4215 lm
- Efficacy: 94 lm/W
- CBCP: 32247 cd
- Beam Angle: 18.9°
- Field Angle: 32.1°
- Spacing Criteria: 0.33

∠	0°	45°	90°
0°	32212	32212	32212
5°	28308	28491	28908
10°	15378	15625	16472
15°	4141	4267	4658
20°	1473	1506	1647
25°	746	772	819
30°	410	429	456
35°	235	243	260
40°	147	151	160
45°	100	102	105

**NFL - 25° Narrow Flood**

- Input Power: 45.0 W
- Lumens: 4522 lm
- Efficacy: 101 lm/W
- CBCP: 23033 cd
- Beam Angle: 25.9°
- Field Angle: 38.3°
- Spacing Criteria: 0.46

∠	0°	45°	90°
0°	23026	23026	23026
5°	21600	21540	21688
10°	16769	16890	17241
15°	8169	8408	8988
20°	2222	2303	2607
25°	558	555	600
30°	194	192	204
35°	98	99	103
40°	62	63	65
45°	53	53	54

**WFL - 54° Wide Flood**

- Input Power: 45.0 W
- Lumens: 4422 lm
- Efficacy: 99 lm/W
- CBCP: 5855 cd
- Beam Angle: 53.9°
- Field Angle: 73.3°
- Spacing Criteria: 1.02

∠	0°	45°	90°
0°	5501	5501	5501
5°	5760	5743	5670
10°	5792	5746	5701
15°	5311	5262	5178
20°	4669	4584	4526
25°	3833	3757	3815
30°	2423	2401	2590
35°	953	976	1124
40°	269	271	316
45°	117	119	137

3'	2.16' D; 732 FC	3.05' D; 428 FC
6'	4.32' D; 183 FC	6.10' D; 107 FC
9'	6.48' D; 81 FC	9.15 D; 48 FC
12'	8.64' D; 46 FC	12.20' D; 27 FC
15'	10.80' D; 29 FC	15.25' D; 17 FC

**OUTPUT MULTIPLIER**

Package	Multiplier
4000 lumens; 36W	0.86
3200 lumens; 28W	0.72

**CRI-CCT MULTIPLIERS**

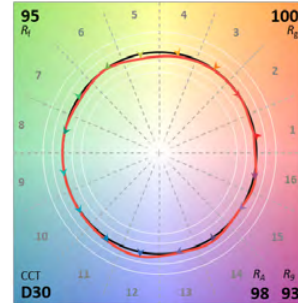
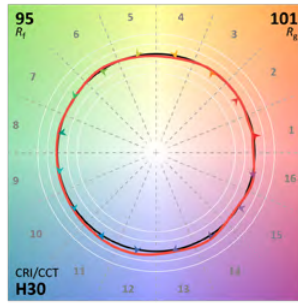
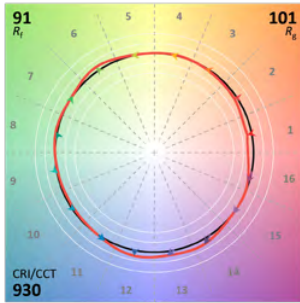
CCT	95 CRI	98+ CRI
2200K	0.89	0.86
2500K	0.93	0.90
2700K	0.96	0.93
3000K	1.00	0.94
3500K	1.03	0.94
4000K	1.04	0.80
5000K	1.04	0.81

### TM30 COLOR REPORTS

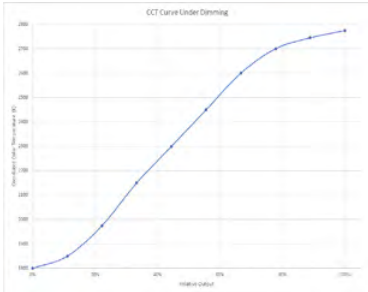
- 3000K with 95 CRI
- $R_A = 95$ ;  $R_g = 62$
- $R_f = 91$ ;  $R_g = 101$

- 3000K with 98+ CRI
- $R_A = 98$ ;  $R_g = 96$
- $R_f = 95$ ;  $R_g = 101$

- 3000K to 1800K with 98+ CRI
- $R_A = 98$ ;  $R_g = 93$
- $R_f = 95$ ;  $R_g = 100$



### DIM TO WARM DETAILS | Dim to Warm only available with NFL, FL, and WFL beam spreads @ 29W; 2200 lumens; 90+CRI



#### SP - 20° Narrow Flood

- Input Power: 29.0 W
- Lumens: 2113 lm
- Efficacy: 72 lm/W
- CBCP: 15646 cd
- Beam Angle: 19.4°
- Field Angle: 32.8°
- Spacing Criteria: 0.34

∠	0°	45°	90°
0°	15628	15628	15628
5°	13857	13748	13741
10°	7534	8178	8251
15°	2211	2422	2503
20°	740	799	828
25°	351	372	382
30°	186	197	203
35°	108	114	117
40°	72	75	76
45°	49	51	51

#### NFL - 27° Narrow Flood

- Input Power: 29.0 W
- Lumens: 2231 lm
- Efficacy: 76 lm/W
- CBCP: 10888 cd
- Beam Angle: 26.8°
- Field Angle: 46.0°
- Spacing Criteria: 0.48

∠	0°	45°	90°
0°	10878	10878	10878
5°	10389	10147	10027
10°	8337	8314	8103
15°	4479	4635	4426
20°	1294	1341	1259
25°	287	288	273
30°	88	88	85
35°	42	43	42
40°	26	26	26
45°	22	22	22

#### FL - 39° Flood

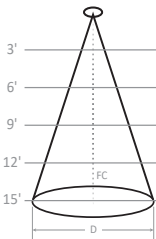
- Input Power: 29.0 W
- Lumens: 2159 lm
- Efficacy: 74 lm/W
- CBCP: 4561 cd
- Beam Angle: 39.5°
- Field Angle: 58.0°
- Spacing Criteria: 0.72

∠	0°	45°	90°
0°	4301	4301	4301
5°	4380	4317	4329
10°	4446	4395	4424
15°	3873	4016	4030
20°	2608	2703	2695
25°	1266	1317	1317
30°	440	477	464
35°	133	149	144
40°	62	68	65
45°	39	40	39

#### WFL - 55° Wide Flood

- Input Power: 29.0 W
- Lumens: 2186 lm
- Efficacy: 74 lm/W
- CBCP: 2758 cd
- Beam Angle: 55.4°
- Field Angle: 74.6°
- Spacing Criteria: 1.05

∠	0°	45°	90°
0°	2611	2611	2611
5°	2653	2630	2644
10°	2673	2637	2681
15°	2410	2525	2593
20°	2043	2222	2304
25°	1714	1838	1853
30°	1178	1255	1206
35°	547	555	504
40°	189	172	152
45°	90	78	69



Height	SP - 20°	NFL - 27°	FL - 39°	WFL - 55°
3'	1.03' D; 1216 FC	1.43' D; 846 FC	2.15' D; 335 FC	3.15' D; 203 FC
6'	2.05' D; 304 FC	2.86' D; 212 FC	4.31' D; 84 FC	6.30' D; 51 FC
9'	3.08' D; 135 FC	4.29' D; 94 FC	6.46' D; 37 FC	9.45' D; 23 FC
12'	4.10' D; 76 FC	5.72' D; 53 FC	8.62' D; 21 FC	12.60' D; 13 FC
15'	5.13' D; 49 FC	7.15' D; 34 FC	10.77' D; 13 FC	15.75' D; 8 FC