

MAIN FEATURES

- 95 CRI Standard; 98+ CRI option available
- Custom integrated driver meets IEEE 1789-2015 Low Risk flicker category across dimming range
- Yoke + two-point fixed mount options for use with track
- Asymmetrical light distribution for even, top-to-bottom illumination

ELECTRICAL + CONTROLS

- 120V
- TRIAC and ELV dimming <1%

PERFORMANCE

- 1 ft.: 16W; 1500 lumens or 19W; 1800 lumens
- 2 ft.: 31W; 3200 lumens or 40W; 4000 lumens
- Color Temperatures
 - 95 CRI: 2700K, 3000K, 3500K, 4000K, 5000K
 - MonoWhite* color rendering enhancements available
- Fixture life:
 - Full power: 50,000 hours
 - 75% power: 100,000 hours
 - Below 50% power: 125,000 hours
 - LED 90% lumen maintenance: 60,000 hours

CONSTRUCTION + FINISH

- Weight: 1 ft. = 1.8 lbs; 2 ft. = 2.7 lbs.
- Extruded aluminum housing with diecast aluminum endcaps
- LED concealing reflector for indirect illumination, providing uniform appearance and light output
- Standard finishes:
 - White: RAL 9003
 - Black: RAL 9005
 - Silver: RAL 7001

MOUNTING

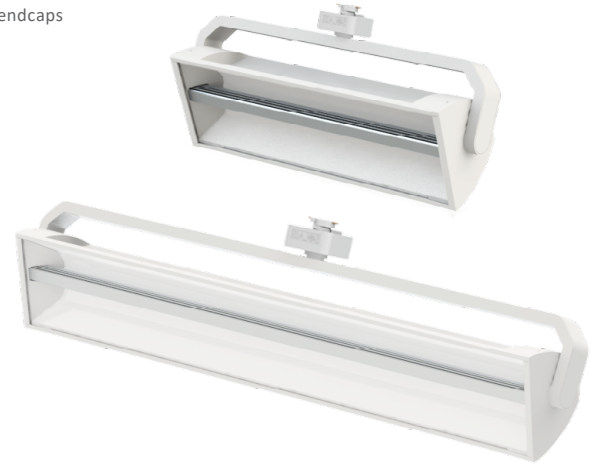
- J-type, L-type, H-type: 120V, 1-circuit/1-neutral; Low profile adapter
- G-type: 120V, 2-circuit/2-neutral;
- Gx-type*: 120V, 3-circuit/1-neutral;

RATINGS + CERTIFICATIONS

- UL Listed for dry location (E487826)

WARRANTY

- 5-year warranty



Ordering Information

Example: LWW/1Y/1/A/930/1500/PW/J/CB1-NSF1

Fixture	Voltage	Beam	CRI	CCT	Finish Color	Adapter Types	Length + Mount	Lumens	Options + Accessories
LWW	1 - 120 V; 1% phase-cut dimming	A - Asymmetrical (120° x 100°)	9 - 95 H - 98+*	27 - 2700K 30 - 3000K 35 - 3500K 40 - 4000K 50 - 5000K	PW - White BK - Black SV - Silver	J L H G* ¹ Gx* ¹	1F - 1 ft.; two-point fixed mount 1Y ¹ - 1 ft.; single-point yoke mount	1500 1800	CB1 - 1 ft. Cross-blade Louver* CL1 - 1 ft. Clear Lens (factory Installed)
			M - MonoWhite*	30 - 3000K 35 - 3500K			2F - 2 ft.; two-point fixed mount 2Y ¹ - 2 ft.; single-point yoke mount	3200 4000	CB2 - 2 ft. Cross-blade Louver* CL2 - 2 ft. Clear Lens (factory Installed)

*Consult factory for lead time and availability

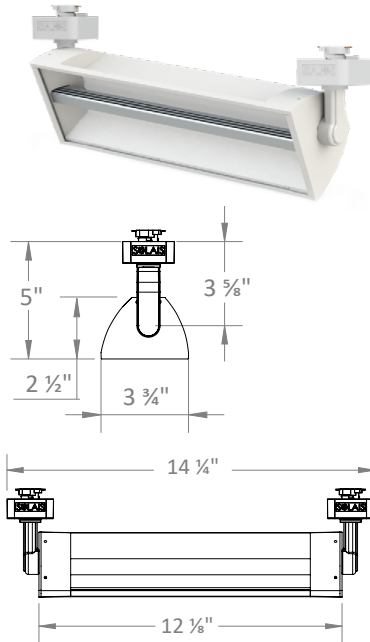
¹ G, Gx, GP and GxP adapter options only available with 1Y and 2Y single-point yoke mount fixtures.

Lucie Wall Wash

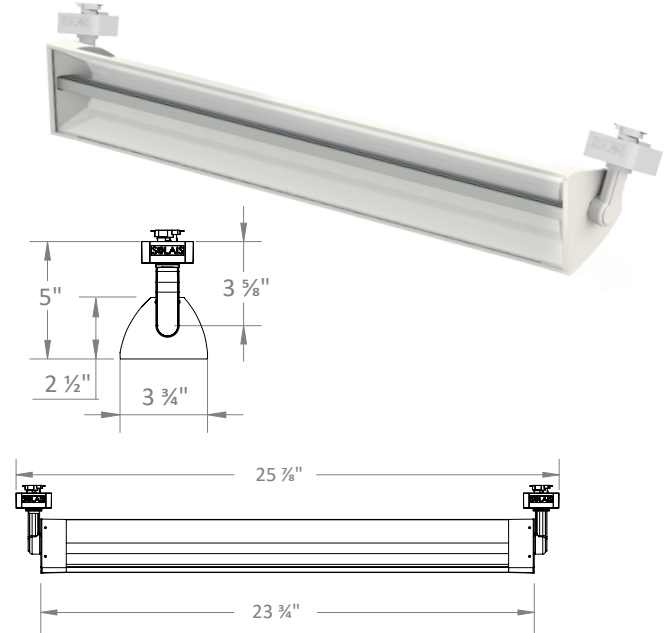
1 FT. + 2 FT. | TRACK MOUNTED

DIMENSIONS

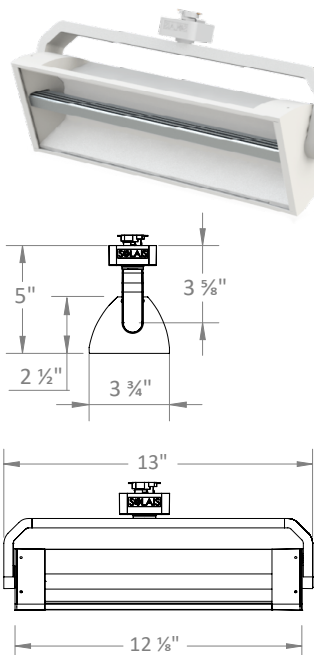
- 1F: 1 ft. two-point fixed mount



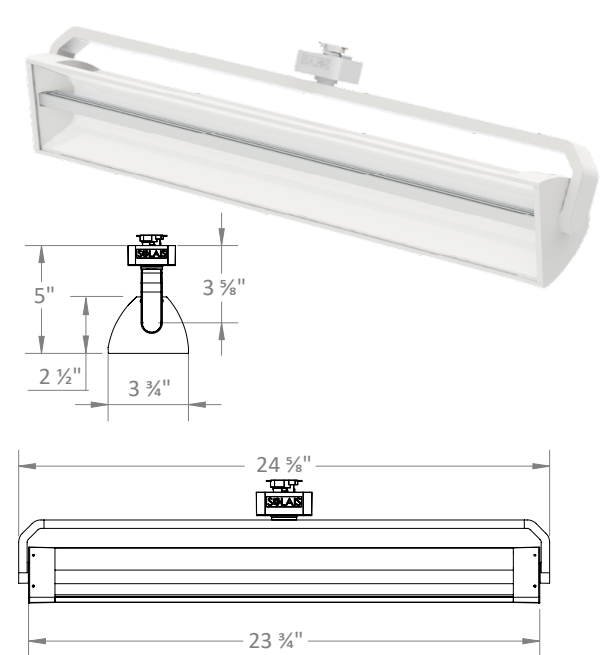
- 2F: 2 ft. two-point fixed mount



- 1Y: 1 ft. single-point yoke mount

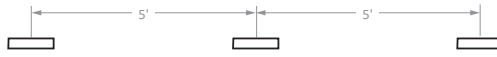


- 2Y: 2 ft. single-point yoke mount



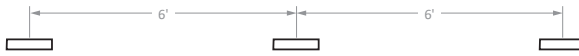
PHOTOMETRIC DATA

LWW-1F-930-1800 | 10° tilt, 3 ft. off wall



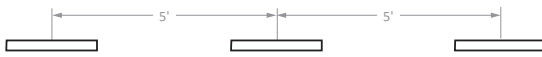
Distance from Ceiling	0.5'	2.9	4.6	6.2	5.1	6.3	5.8	5.3	6.1	3.9	2.3
0.5'	2.9	4.6	6.2	5.1	6.3	5.8	5.3	6.1	3.9	2.3	
2.5'	10.0	22.5	34.5	30.7	35.6	34.2	31.3	33.8	19.9	9.2	
4.5'	8.5	13.6	18.3	19.3	20.4	20.3	19.3	18.1	13.4	8.7	
6.5'	6.5	8.4	10.2	11.1	11.6	11.6	11.1	10.1	8.3	6.6	
8.5'	4.9	5.8	6.6	7.2	7.4	7.4	7.1	6.5	5.7	5.0	
10.5'	3.8	4.5	4.9	5.2	5.4	5.3	5.2	4.8	4.4	3.9	
12.5'	3.1	3.3	3.5	3.8	4.0	4.0	3.8	3.5	3.3	3.1	

LWW-1F-930-1800 | 10° tilt, 3 ft. off wall



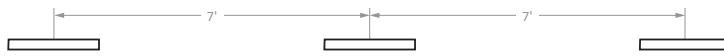
Distance from Ceiling	0.5'	4.1	6.0	5.3	4.3	6.0	5.4	4.2	5.8	5.2	3.1
0.5'	4.1	6.0	5.3	4.3	6.0	5.4	4.2	5.8	5.2	3.1	
2.5'	15.3	29.9	29.9	24.0	32.3	30.7	24.0	31.6	27.5	13.1	
4.5'	10.9	15.8	17.3	16.6	18.1	18.1	16.6	17.3	15.6	11.3	
6.5'	7.3	9.0	9.8	10.2	10.5	10.5	10.1	9.8	8.9	7.4	
8.5'	5.2	6.1	6.4	6.7	6.9	6.9	6.7	6.4	5.9	5.2	
10.5'	4.0	4.5	4.8	5.0	5.1	5.1	4.9	4.8	4.5	4.0	
12.5'	3.1	3.3	3.4	3.6	3.8	3.8	3.6	3.4	3.3	3.1	

LWW-2F-930-4000 | 10° tilt, 3 ft. off wall



Distance from Ceiling	0.5'	6.5	10.0	13.0	11.3	13.5	12.6	11.6	12.5	8.3	5.1
0.5'	6.5	10.0	13.0	11.3	13.5	12.6	11.6	12.5	8.3	5.1	
2.5'	22.4	49.2	73.2	67.6	76.7	74.1	68.6	71.1	43.8	20.4	
4.5'	18.7	29.5	39.3	42.0	44.2	44.1	41.9	38.9	39.0	19.9	
6.5'	14.1	18.3	22.0	24.1	25.2	25.0	24.0	21.7	17.9	14.3	
8.5'	10.7	12.7	14.3	15.5	16.1	16.0	15.4	14.1	12.4	10.5	
10.5'	8.2	9.7	10.5	11.2	11.6	11.5	11.1	10.4	9.5	8.4	
12.5'	6.6	7.2	7.6	8.2	8.6	8.6	8.2	7.5	7.1	6.6	

LWW-2F-930-4000 | 10° tilt, 3 ft. off wall



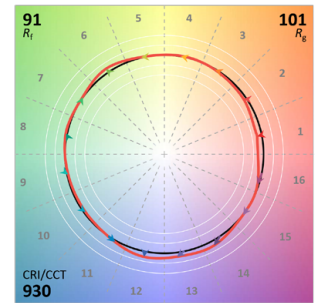
Distance from Ceiling	0.5'	13.1	14.0	9.4	8.6	12.4	11.2	8.0	10.3	13.8	10.3
0.5'	13.1	14.0	9.4	8.6	12.4	11.2	8.0	10.3	13.8	10.3	
2.5'	50.0	68.7	50.0	44.1	65.2	61.7	42.7	53.6	68.2	46.6	
4.5'	29.6	36.1	33.1	31.6	35.9	35.9	31.4	33.2	35.8	30.5	
6.5'	1.82	20.3	20.2	20.2	21.0	20.9	20.1	20.2	20.0	18.3	
8.5'	12.1	13.4	13.6	13.8	14.0	13.9	13.7	13.5	13.2	11.6	
10.5'	8.9	9.9	10.1	10.3	10.4	10.4	10.2	10.1	9.7	8.8	
12.5'	6.8	7.2	7.3	7.7	7.9	7.9	7.6	7.3	7.1	6.7	

OUTPUT MULTIPLIERS

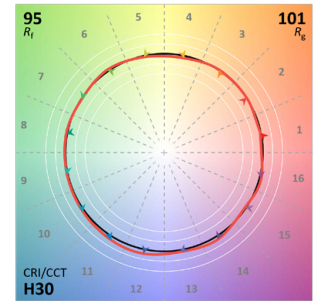
CCT	9 (95 CRI)	H (98+ CRI)	M (MonoWhite)
2700K	0.96	0.81	-
3000K	1.00	0.85	0.80
3500K	1.03	0.88	0.83
4000K	1.03	0.88	-
5000K	1.04	0.89	-

TM30 COLOR REPORTS

- 3000K with 95 CRI
- $R_A = 95; R_g = 62$
- $R_f = 91; R_g = 101$



- 3000K with 98+ CRI
- $R_A = 98; R_g = 96$
- $R_f = 95; R_g = 101$



- 3000K with MonoWhite
- $R_A = 91; R_g = 42$
- $R_f = 91; R_g = 103$

