

LR38sp

SIDE PRONG

PAR38 | RETROFIT LAMP

- 120 V
- 50,000 Hours (L70)
- Halogen PAR38 side-prong form factor
- Lightest LED lamps on the market
- RoHS-compliant
- Dry location rating
- ETL Certified to UL Standard 1993
- Contain no lead or mercury
- Fully dimmable; Compatibility list available.
- Base Type: Medium Side Prong
- Recommended for use in open environment fixtures
- Approved for use in recessed IC and non-IC rated fixtures with open apertures only



Weight: 9.4 oz.

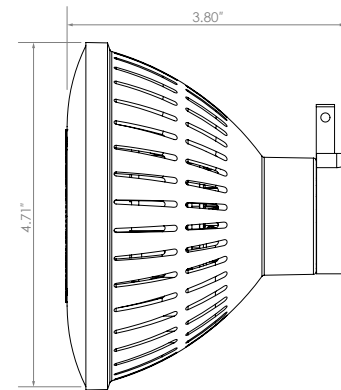


Ordering Information

Example: LR38sp/15/30K/1250/WH

Lamp	Beam Spread	CCT / Lumens	Housing Color
LR38sp	15 25 40	30K / 1250	WH - White

Lamp	Product Code			Power (Watts)	CBCP (cd)	Standard CRI
	Beam Angle	CCT	Delivered Lumens			
LR38sp	15	30K	1250	17	10250	83
	25				6375	
	40				2500	



*Consult factory for lead time and availability
 Note: High CRI products will produce up to 20% less measured lumens than their standard CCT equivalent.



Luxiance utilizes active cooling to remove heat from the LED system - allowing Solais LED lamps to operate cooler, resulting in superior life, light output, and performance.



Thermal Throttle – In the event that Solais products begin to overheat, they will undetectably dim themselves to protect your technology investments.



Warranty



IES Files



Dimmers

WARNING: Not for use in fully enclosed luminaires. Risk of electric shock. Use in an indoor, dry location only. This device is not intended for use with emergency exit fixtures or emergency exit lights. May not be compatible with all dimmers; please visit solais.com/dimming for up-to-date dimmer compatibility information.

NOTES: This device complies with Part 15 of the FCC Rule. This product may cause interference with other devices. If interference occurs, change the locations of the products involved. **Compatible on 120v systems.**