

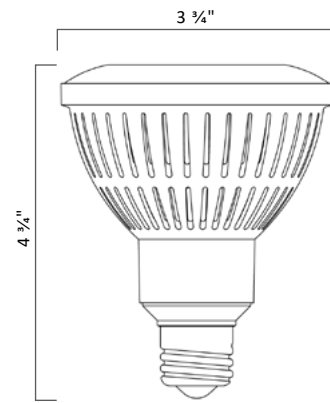
LR30LN

PAR 30 | RETROFIT LAMP

- 120 V
- 50,000 Hours (L70)
- Halogen PAR form factor (ANSI compliant)
- Lightest LED lamps on the market
- RoHs-compliant
- Dry location rating
- ETL Certified to UL Standard 1993
- Contain no lead or mercury
- Fully dimmable; Compatability list available.
- Base Types: E26 Standard; GU24*
- Recommended for use in open environment fixtures
- Approved for use in recessed IC and non-IC rated fixtures with open apertures only
- VioLight color rendering enhancements available
- *90+ High CRI available for 27K and 30K. Consult factory for availability in other color temperatures. To order, replace 'K' in CCT designation with 'h' in code below.



Weight: 7.3 oz.



Ordering Information

Example: LR30LN/15/30K/1450/WH

Lamp	Beam Spread	CCT / Lumens	Housing Color
LR30LN	15	27K / 2050	WH - White SL - Silver* BK - Black*
		30K / 2050	
		35K* / 2050	
		40K* / 2050	
	25	27K / 1600	
		30K / 1600	
		35K* / 1600	
		40K* / 1600	
	40	30v / 1450	

*Consult factory for lead time and availability
 Note: VioLight and High CRI products will produce up to 20% less measured lumens than their standard CCT equivalent; Although, perceived lumens will be noticeably higher than their standard counterparts.

Lamp	Product Code			Power (Watts)	CBCP (cd)	Standard CRI
	Beam Angle	CCT	Delivered Lumens			
LR30LN	15	27K	2050	22	16775	83
					10450	
					4100	
	15	30K	1600	17	16775	85
					10450	
					4100	
	15	27K	1600	17	13100	85
					8150	
					3200	
	15	30K	1450	18	13100	83
					8150	
					3200	



Thermal Throttle – In the event that Solais products begin to overheat, they will undetectably dim themselves to protect your technology investments.



VioLight radiates superior quality, enhancing colors in merchandise, making colors more vibrant and offering a truly competitive LED replacement for CMH-like crispness.

WARNING: Not for use in fully enclosed luminaires. Risk of electric shock. Use in an indoor, dry location only. This device is not intended for use with emergency exit fixtures or emergency exit lights. May not be compatible with all dimmers; please visit solais.com/dimming for up-to-date dimmer compatibility information.

NOTES: This device complies with Part 15 of the FCC Rule. This product may cause interference with other devices. If interference occurs, change the locations of the products involved. **Compatible on 120v systems.**