

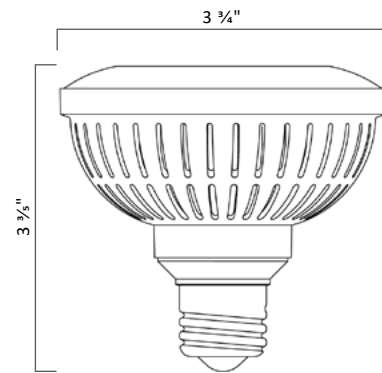
## LR30

### PAR 30 | RETROFIT LAMP

- 120 V
- 50,000 Hours (L70)
- Halogen PAR form factor (ANSI compliant)
- Lightest LED lamps on the market
- RoHs-compliant
- Dry location rating
- ETL Certified to UL Standard 1993
- Contain no lead or mercury
- Fully dimmable; Compatability list available.
- Base Types: E26 Standard; GU24\*
- Recommended for use in open environment fixtures
- Approved for use in recessed IC and non-IC rated fixtures with open apertures only
- \*VioLight color rendering enhancements available
- \*90+ High CRI available for 27K and 30K. Consult factory for availability in other color temperatures. To order, replace 'K' in CCT designation with 'h' in code below.



Weight: 6.8 oz.



Ordering Information

Example: LR30/25/30K/1250/WH

Lamp	Beam Spread	CCT	Lumens	Housing Color
LR30	15	27K	1250	WH - White SL - Silver* BK - Black*
	25	30K	1250	
	40	35K*	1250	
		40K*	1250	
	15	30v*	900	
	25			
	40			

Lamp	Beam Angle	CCT	Delivered Lumens	Power (Watts)	CBCP (cd)	Standard CRI	
	15	27K	1250	15	14282	82	
	25				5448		
	40				2212		
	15	30K			14282		
	25				5448		
	40				2212		
	15	30v*	900	12.5	7380		
	25				4590		
	40				1800		

\*Consult factory for lead time and availability

Note: VioLight and High CRI products will produce up to 20% less measured lumens than their standard CCT equivalent; Although, perceived lumens will be noticeably higher than their standard counterparts.



Warranty



IES Files



Dimmers

**WARNING:** Not for use in fully enclosed luminaires. Risk of electric shock. Use in an indoor, dry location only. This device is not intended for use with emergency exit fixtures or emergency exit lights. May not be compatible with all dimmers; please visit solais.com/dimming for up-to-date dimmer compatibility information.

**NOTES:** This device complies with Part 15 of the FCC Rule. This product may cause interference with other devices. If interference occurs, change the locations of the products involved. **Compatible on 120v systems.**



Thermal Throttle – In the event that Solais products begin to overheat, they will undetectably dim themselves to protect your technology investments.



VioLight radiates superior quality, enhancing colors in merchandise, making colors more vibrant and offering a truly competitive LED replacement for CMH-like crispness.