

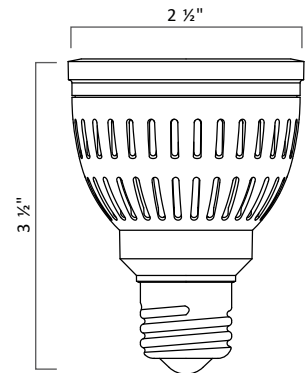
## LR20

### PAR20 | LED LAMP

- 120 V
- 50,000 Hours (L70)
- Halogen PAR form factor (ANSI compliant)
- Lightest LED lamps on the market
- RoHS-compliant
- Dry location rating
- ETL Certified to UL Standard 1993
- Contain no lead or mercury
- Fully dimmable; Compatability list available.
- Base Types: E26 Standard; GU24\*
- Recommended for use in open environment fixtures
- Approved for use in recessed IC and non-IC rated fixtures with open apertures only
- \*90+ High CRI available for 27K and 30K. Consult factory for availability in other color temperatures. To order, replace 'K' in CCT designation with 'h' in code below.



Weight: 4 oz.



Ordering Information

Example: LR20/15/30K/1000/WH

Lamp	Beam Spread	CCT / Lumens	Housing Color
LR20	15 25 40	27K / 975 30K / 1000 35K* / 1000 40K* / 1000	WH - White SL - Silver* BK - Black*

Lamp	Product Code			Power (Watts)	CBCP (cd)	Standard CRI
	Beam Angle	CCT	Delivered Lumens			
LR20	15	27K	975	12	8000	85
	25				4975	
	40				1950	
	15	30K	1000		8200	
	25				5100	
	40				2000	

\*Consult factory for lead time and availability  
Note: High CRI products will produce up to 20% less measured lumens than their standard CCT equivalent.



Luxiance utilizes active cooling to remove heat from the LED system - allowing Solais LED lamps to operate cooler, resulting in superior life, light output, and performance.



Warranty



IES Files



Dimmers



Thermal Throttle – In the event that Solais products begin to overheat, they will undetectably dim themselves to protect your technology investments.

**WARNING:** Not for use in fully enclosed luminaires. Risk of electric shock. Use in an indoor, dry location only. This device is not intended for use with emergency exit fixtures or emergency exit lights. May not be compatible with all dimmers; please visit [solais.com/dimming](http://solais.com/dimming) for up-to-date dimmer compatibility information.

**NOTES:** This device complies with Part 15 of the FCC Rule. This product may cause interference with other devices. If interference occurs, change the locations of the products involved. **Compatible on 120v systems.**