

# HemiCycle Pendant

20" Custom Order Luminaire

PROJECT \_\_\_\_\_

TYPE \_\_\_\_\_

SPECIFICATION \_\_\_\_\_

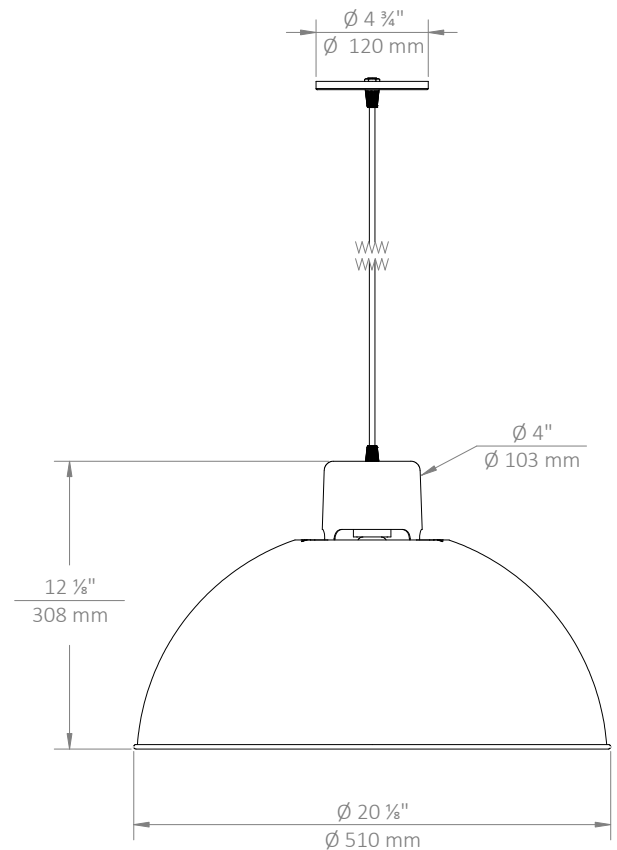
- 120 - 240 V
- Powder coated steel spun shade
- Light Source: Provided by others
- 100 W maximum E26 medium base
- Adjustable height
- Non dimming
- UL Listed for dry locations
- RoHs-compliant



**Ordering Information**

Example: HCY20/WH/YW/YW/CB/WH

Fixture	Interior Finish	Exterior Finish	Canopy Finish	Mounting	Mounting Finish
HCY20	WH - White	WH - White BK - Black YW - Yellow RD - Red PK - Pink GR - Green BZ - Bronze	WH - White BK - Black YW - Yellow RD - Red PK - Pink GR - Green BZ - Bronze	ST - Stem Mount CB - Cable Mount	WH - White BK - Black



\*Consult factory for lead time and availability

NOTE: This product is a special order, non-stocked decorative fixture.  
Please consult factory for lead times, minimum ordering quantities and pricing.  
A prepayment will apply at PO. NCNR (non-cancelable, non-returnable.)