

**MAIN FEATURES**

- Designed for surface mount and hanging suspension mounted applications
- Concealed adapter option available; Great for use in architectural and high-end applications
- Field-cuttable for custom lengths
- 0-10V dimming down to 1% with GPx and GPxc-type adapters
- Phase cut dimming with Gx-type adapter

**ELECTRICAL + SAFETY**

- 120V, 16A
- 1900W maximum load
- Up to 55 lb. load per 3 ft. section with 2 mounting points
- Up to 22 lb. load per 8 ft. section with 2 mounting points

**CONSTRUCTION + FINISH**

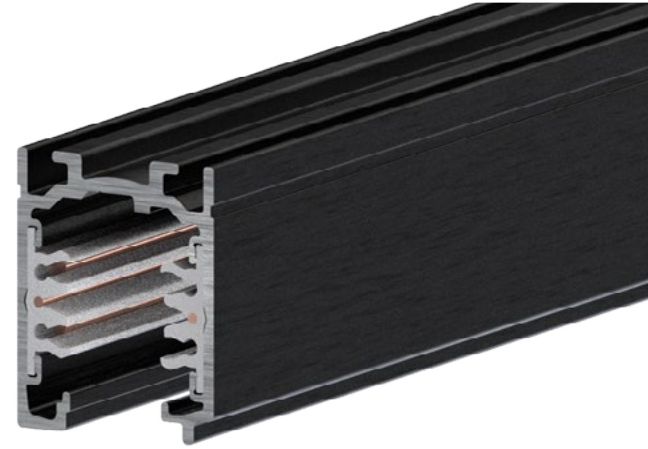
- Extruded thermoplastic insulated
- 12 AWG solid copper conductors
- Insulated extruded body in PVC

**RATINGS + CERTIFICATIONS**

- UL Certified for dry locations
- RoHS-compliant
- Designed for use with Solais<sup>®</sup> Gx, GPx and GPxc-type fixtures and components

**WARRANTY**

- 1-year warranty



**Ordering Information**

<b>Track</b> GP	<b>Voltage</b> 1 - 120V	<b>Circuits</b> 3 - 3-circuit/ 1-neutral	<b>Shape</b> ST	<b>Length</b> 4 - 4 ft. Track 8 - 8 ft. Track 12 - *12 ft. Track (drop-ship only)	<b>Finish</b> PW - White BK - Black
--------------------	----------------------------	--	--------------------	---	---

<b>Finish</b> PW - White BK - Black
---

<b>Track</b> GP-UM	<b>Suspension Stem Length</b> ST12 - 12" ST18 - 18" ST24 - 24" ST36 - 36" ST48 - 48"	<b>Finish</b> PW - White BK - Black
-----------------------	---	---

**Accessories + Components**

- GP-UM-TCV - Track Cover
- GP-ST-ECC - End Cap

- GPXX-UM-SJC - Straight Joining Connector
- GPXX-UM-SIC - Straight Insulating Connector (Mechanical)

- GP13-UM-ACR - Adjustable Corner
- GP13-UM-EFR - End Feed (Right Polarity)
- GP13-UM-EFL - End Feed (Left Polarity)
- GP13-UM-SFC - Straight Feedable Connector
- GP13-UM-LFI - 'L' Feed (Inner Polarity)
- GP13-UM-LFO - 'L' Feed (Outer Polarity)
- GP13-UM-TOL - 'T' Feed (Outer + Left Polarity)
- GP13-UM-TOR - 'T' Feed (Outer + Right Polarity)
- GP13-UM-TIL - 'T' Feed (Inner + Left Polarity)
- GP13-UM-TIR - 'T' Feed (Inner + Right Polarity)
- GP13-UM-XFC - 'X' Feed Connector

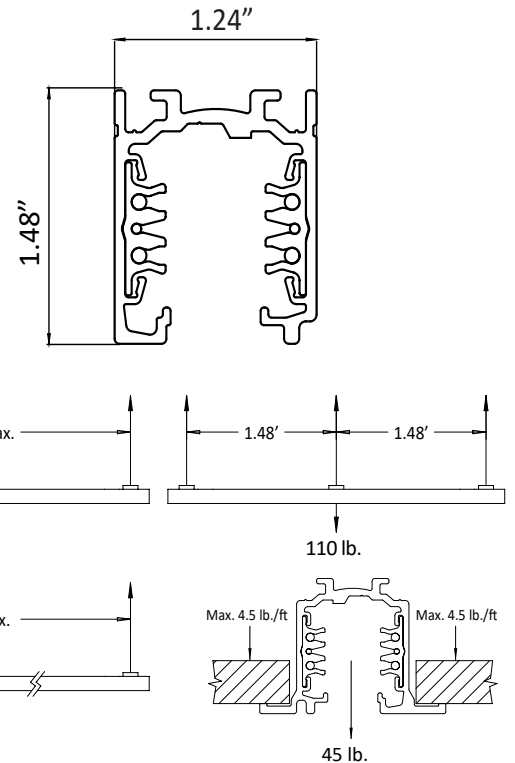
- SS-UM-CPC - Ceiling cup with Ceiling Bracket
- GP-UM-LJB - Long Joining Bracket
- GP-UM-TCB - Ceiling Bracket
- GP-ST-TST - Ceiling Clamp for T-bar
- GP-ST-CCT - Suspension Canopy + Track Connection Set

- SS-UM-TST - T-bar Seismic Suspension Clip
- SS-UM-ACL - Aircraft cable with Loop; 20 ft.
- SS-UM-ACB - Aircraft cable with Barrel; 20 ft.
- SS-UM-SEG - Side Cable Exit Gripper
- SS-UM-SMC - Surface Mount Cable Gripper
- SS-UM-DLG - Double Mechanism Looping Gripper

**GP-UM-TCT -Cutting Tool**

<b>Finish</b> PW - White BK - Black	<b>Circuit Breaker 1</b> 005 - 60W, 0.5A 010 - 120W, 1A 025 - 300W, 2.5A 050 - 600W, 5A 075 - 900W, 7.5A 100 - 1200W, 10A	<b>Circuit Breaker 2</b> 005 - 60W, 0.5A 010 - 120W, 1A 025 - 300W, 2.5A 050 - 600W, 5A 075 - 900W, 7.5A 100 - 1200W, 10A	<b>Circuit Breaker 3</b> 005 - 60W, 0.5A 010 - 120W, 1A 025 - 300W, 2.5A 050 - 600W, 5A 075 - 900W, 7.5A 100 - 1200W, 10A
---	---	---	---







- GP13-UM-CER - End Feed (Right Polarity)
- GP13-UM-CEL - End Feed (Left Polarity)



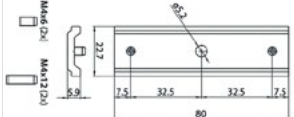

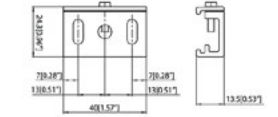

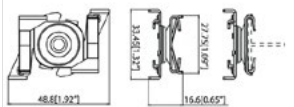

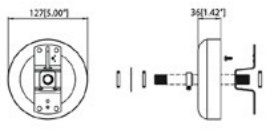




Gaia <sup>+</sup> Connectors		
<b>GP-UM-TCV</b> Track Cover PVC body; Length: 1000 mm		
<b>GP-ST-ECC</b> End Cap Polycarbonate body with locking screw		
<b>GPXX-UM-SJC</b> Polarized Joining Connector Polycarbonate body, copper alloy contacts		
<b>GPXX-UM-SIC</b> Straight Insulating Connector (Mechanical) Polycarbonate body		
<b>GP1-UM-ACR</b> Adjustable Corner Polycarbonate body, copper alloy contacts		
<b>GP1-UM-EFR</b> End Feed (Right Polarity) Polycarbonate body, copper alloy contacts		
<b>GP1-UM-EFL</b> End Feed (Left Polarity) Polycarbonate body, copper alloy contacts		
<b>GP1-UM-SFC</b> Straight Feedable Connector Polycarbonate body, copper alloy contacts		

Gaia <sup>+</sup> Connectors		
<b>GP13-UM-LFI</b> 'L' Feed (Inner Polarity) Polycarbonate body, copper alloy contacts		
<b>GP13-UM-LFO</b> 'L' Feed (Outer Polarity) Polycarbonate body, copper alloy contacts		
<b>GP13-UM-TOL</b> 'T' Feed (Outer + Left Polarity) Polycarbonate body, copper alloy contacts		
<b>GP13-UM-TOR</b> 'T' Feed (Outer+ Right Polarity) Polycarbonate body, copper alloy contacts		
<b>GP13-UM-TIL</b> 'T' Feed (Inner + Left Polarity) Polycarbonate body, copper alloy contacts		
<b>GP13-UM-TIR</b> 'T' Feed (Inner + Right Polarity) Polycarbonate body, copper alloy contacts		
<b>GP13-UM-XFC</b> 'X' Feed Connector Polycarbonate body, copper alloy contacts		
<b>GP13-UM-CER</b> Current Limiting End Feed (Right Polarity) Polycarbonate body, copper alloy contacts		
<b>GP13-UM-CEL</b> Current Limiting End Feed (Left Polarity) Polycarbonate body, copper alloy contacts		



Track Suspension Accessories		
SS-UM-TSC	T-bar Seismic Suspension Clamp <i>For use where local code requires direct connection to the ceiling. Ceiling-supported clip for 15/16" T-bar</i>	
SS-UM-ACL	Aircraft Cable with Loop <i>20 feet of galvanized cable. Recommended for use with SS-UM-SEG.</i>	
SS-UM-ACB	Aircraft Cable with Barrel <i>20 feet of galvanized cable. Recommended for use with SS-UM-SEG.</i>	
SS-UM-SEG	Side Cable Exit Gripper <i>Recommended for use with SS-UM-ACL or SS-UM-ACB.</i>	
SS-UM-SMC	Surface Mount Cable Coupler <i>2-part non-adjustable cable coupler Recommended for use with SS-UM-ACB.</i>	
SS-UM-DLG	Double Mechanism Looping Gripper <i>Double-ended gripper with double side cable exit. Recommended for use with SS-UM-ACB or SS-UM-ACL.</i>	

Gaia <sup>+</sup> Accessories		
SS-UM-CPC	Ceiling cup with ceiling bracket and screw gripper <i>For use with cable suspension Recommended for use with SS-UM-ACB.</i>	
GP-UM-LJB	Long Joining Bracket <i>for aircraft cable suspension. Recommended for use with SS-UM-SEG</i>	 
GP-UM-TCB	Ceiling Bracket	 
GP-ST-TST	T-bar Slide-on Track Mounting Clip <i>Painted steel; 11 lb. max; Recommended distance between clamps: 29.5"/750 mm</i>	 
GP-ST-CCT	Canopy + Connector for Track for stem suspension <i>Stem sold separately</i>	 
GP-UM-ST__	Threaded Suspension Stem <i>12", 18", 24", 36" and 48" options Requires GP-ST-CCT</i>	 
GP-UM-TCT	Cutting Tool <i>for track conductors Steel</i>	