

**MAIN FEATURES**

- Designed for recessed trimless mount applications
- Concealed adapter option available; Great for use in architectural and high-end applications
- Field-cutable for custom lengths
- 0-10V dimming down to 1% with GPx and GPxc-type adapters
- Phase cut dimming with Gx-type adapter

**ELECTRICAL + SAFETY**

- 120V, 16A
- 1900W maximum load
- Up to 55 lb. load per 3 ft. section with 2 mounting points
- Up to 22 lb. load per 8 ft. section with 2 mounting points

**CONSTRUCTION + FINISH**

- Extruded thermoplastic insulated
- 12 AWG solid copper conductors
- Insulated extruded body in PVC

**RATINGS + CERTIFICATIONS**

- UL Certified for dry locations
- RoHS-compliant
- Designed for use with Solais® Gx, GPx and GPxc-type fixtures and components

**WARRANTY**

- 1-year warranty



Ordering Information

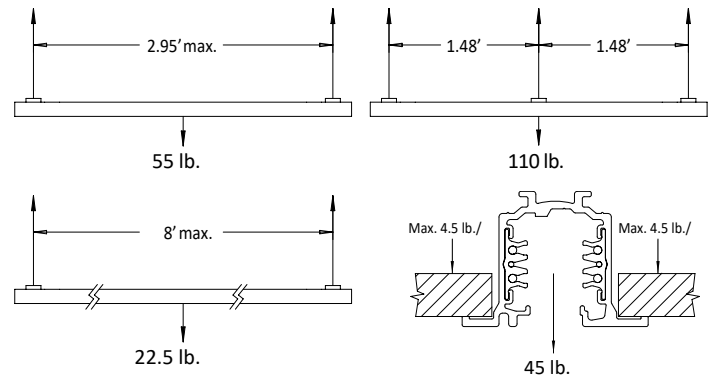
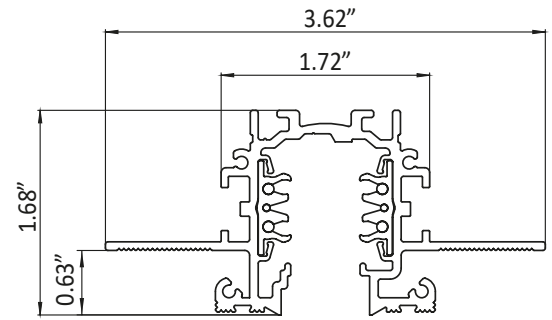
Track	Voltage	Circuits	Shape	Length	Finish
GP	1 - 120V	3 - 3-circuit/ 1-neutral	RT	4 - 4 ft. Track 8 - 8 ft. Track	PW - White BK - Black

Finish
PW - White
BK - Black

**Accessories + Components**

- GP-UM-TCV - Track Cover
- GP-RT-ECC - End Cap
- GP-RT-ECF - End Feed Lock
- GP-RT-SMC - Straight Mechanical Connector
- GP-RT-LMC - "L" Mechanical Connector
- GP-RT-SRB - Straight Reinforcement Bracket
- GPXX-UM-SJC - Straight Joining Connector
- GPXX-UM-SIC - Straight Insulating Connector (Mechanical)
- GP13-UM-EFR - End Feed (Right Polarity)
- GP13-UM-EFL - End Feed (Left Polarity)
- GP13-UM-SFC - Straight Feedable Connector
- GP13-UM-LFI - 'L' Feed (Inner Polarity)
- GP13-UM-LFO - 'L' Feed (Outer Polarity)
- GP13-UM-TOL - 'T' Feed (Outer + Left Polarity)
- GP13-UM-TOR - 'T' Feed (Outer+ Right Polarity)
- GP13-UM-TIL - 'T' Feed (Inner + Left Polarity)
- GP13-UM-TIR - 'T' Feed (Inner + Right Polarity)
- GP13-UM-XFC - 'X' Feed Connector

- GP-UM-TCB - Ceiling Bracket
- GP-RT-TCT - Cutting Tool



Gaia+ RT Components		
<b>GP-UM-TCV</b> Track Cover PVC body; Length: 1000 mm		
<b>GP-RT-ECC</b> End Cap Polycarbonate body with locking screw		
<b>GP-RT-ECF</b> End Feed Lock End cap with locking screw; Steel body		
<b>GP-RT-SMC</b> Straight Mechanical Connector Extruded body in aluminum.		
<b>GP-RT-LMC</b> 'L' Mechanical Connector Extruded body in aluminum.		
<b>GP-RT-SRB</b> Straight Reinforcement Bracket Aluminum body		

Gaia+ Connectors		
<b>GPXX-UM-SJC</b> Straight Joining Connector Polycarbonate body, copper alloy contacts		
<b>GPXX-UM-SIC</b> Straight Insulating Connector (Mechanical) Polycarbonate body		
<b>GP13-UM-EFR</b> End Feed (Right Polarity) Polycarbonate body, copper alloy contacts		
<b>GP13-UM-EFL</b> End Feed (Left Polarity) Polycarbonate body, copper alloy contacts		

Gaia+ Connectors		
<b>GP13-UM-SFC</b> Straight Feedable Connector Polycarbonate body, copper alloy contacts		
<b>GP13-UM-LFI</b> 'L' Feed (Inner Polarity) Polycarbonate body, copper alloy contacts		
<b>GP13-UM-LFO</b> 'L' Feed (Outer Polarity) Polycarbonate body, copper alloy contacts		
<b>GP13-UM-TOL</b> 'T' Feed (Outer + Left Polarity) Polycarbonate body, copper alloy contacts		
<b>GP13-UM-TOR</b> 'T' Feed (Outer+ Right Polarity) Polycarbonate body, copper alloy contacts		
<b>GP13-UM-TIL</b> 'T' Feed (Inner + Left Polarity) Polycarbonate body, copper alloy contacts		
<b>GP13-UM-TIR</b> 'T' Feed (Inner + Right Polarity) Polycarbonate body, copper alloy contacts		
<b>GP13-UM-XFC</b> 'X' Feed Connector Polycarbonate body, copper alloy contacts		
<b>GP-UM-TCB</b> Ceiling Bracket		
<b>GP-RT-TCT</b> Cutting Tool for Recessed Trimless track conductors; Steel		

