

LumiTray

LED FLAT PANELS

1 X 4 | 2 X 2 | ~~2 X 4~~

PROJECT _____

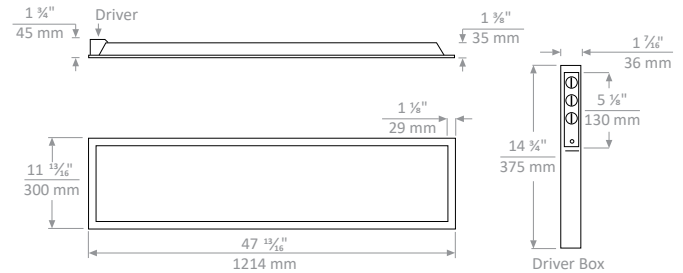
TYPE _____

SPECIFICATION _____

- A field-selectable CCT and power
 - CCT settings: 3000K, 3500K, 4000K, 4500K, 5000K
 - Power settings: 100%, 80%, 70%, 60%, 50%
- Designed for recessed use in the standard drop ceilings; Surface and recess mount kits available
- Uniform color and output
- 120 - 277 V universal; 50/60 Hz
- 0 - 10V dimming
- Operating Temperature Range: -20°C to 40°C
- >50,000 Hours (L70)
- RoHS-compliant
- ETL Listed for damp locations
- Contain no lead or mercury



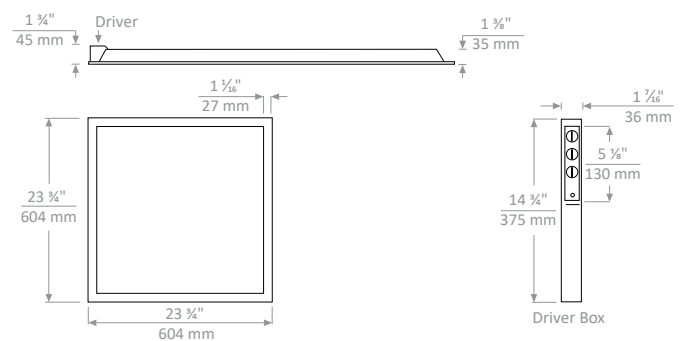
FP14



FP24

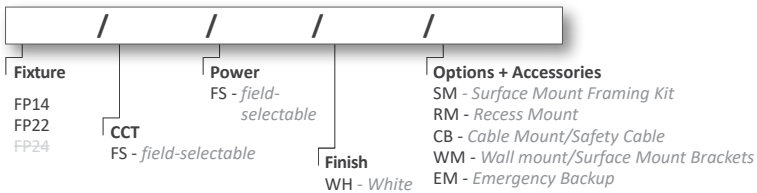


FP22



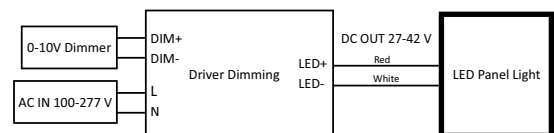
Ordering Information

Example: FP14/FS/FS/WH/EM



Default Product Settings: 3500K @ 100% Power

Fixture	Default CCT	Delivered Lumens	Power (Watts)	Standard CRI
FP14	3500 K	4400	100% : 35 W	80+
			≈80% : 30 W	
≈70% : 25 W				
≈60% : 20 W				
≈50% : 15 W				
FP22	3500 K	4400	≈100% : 45 W	80+
			≈80% : 40 W	
≈70% : 35 W				
≈60% : 30 W				
≈50% : 25 W				
FP24	3500 K	4400	≈100% : 45 W	80+



LumiTray

LED FLAT PANELS

1 X 4 | 2 X 4 | 2 X 2

PROJECT _____

TYPE _____

SPECIFICATION _____

PHOTOMETRIC DETAILS | baseline data shown at 35 W and 3500 K

FP22/FS/FS + FP14/FS/FS

Input Power: 35.9 W
 Lumens: 4540 lm
 Efficacy: 126.5 lm/W
 CBCP: 2003 cd
 Beam Angle: 113.6°
 Field Angle: 164.6°
 Spacing Criteria: 3.06

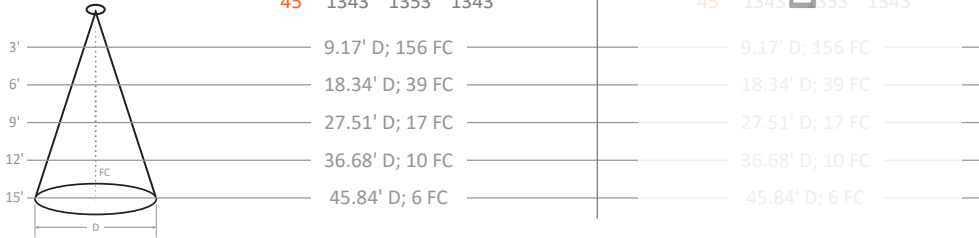
∠	0°	45°	90°
0°	2002	2002	2002
5°	1993	1996	1992
10°	1967	1971	1966
15°	1923	1928	1922
20°	1863	1868	1861
25°	1786	1793	1786
30°	1695	1703	1694
35°	1591	1599	1590
40°	1473	1482	1471
45°	1343	1353	1343

FP24/FS/FS

Input Power: 46.1 W
 Lumens: 5837 lm
 Efficacy: 126.5 lm/W
 CBCP: 2003 cd
 Beam Angle: 113.6°
 Field Angle: 164.6°
 Spacing Criteria: 3.06

∠	0°	45°	90°
0°	2002	2002	2002
5°	1993	1996	1992
10°	1967	1971	1966
15°	1923	1928	1922
20°	1863	1868	1861
25°	1786	1793	1786
30°	1695	1703	1694
35°	1591	1599	1590
40°	1473	1482	1471
45°	1343	1353	1343

DISCONTINUED



Power Setting						
Fixture	CCT	@ 35 W	@ 30 W	@ 25 W	@ 20 W	@ 15 W
FP22 + FP14	5000K	4400	3740	3168	2596	1936
	4500K	4500	3825	3240	2655	1980
	4000K	4600	3910	3312	2714	2024
	3500K	4500	3825	3240	2655	1980
	3000K	4400	3740	3168	2596	1936
FP24	5000K	5700	4845	4104	3363	2508
	4500K	5850	4973	4212	3452	2574
	4000K	5900	5010	4224	3540	2640
	3500K	5850	4973	4212	3452	2574
	3000K	5700	4845	4104	3363	2508

DISCONTINUED