

# MDR DROPLIT

POWERED BY LUCIE  
3" TRACK MOUNT PENDANT

PROJECT \_\_\_\_\_ TYPE \_\_\_\_\_

SPECIFIER \_\_\_\_\_ MEMO \_\_\_\_\_

ORDERING CODE BREAKDOWN \_\_\_\_\_

### MAIN FEATURES

- GP concealed adapter designed to be used with Solais' Architectural Gaia+ 120-277V track systems
- 95 CRI Standard; 98+ CRI option available
- Modular platform with integrated driver meets IEEE 1789-2015
- Solais' proprietary driver technology delivers smooth, flicker-free dimming (per IEEE 1789-2015) to 1% via phase-cut or 0-10V
- Custom TIR optic platform to ensure smooth beams and excellent light control with no need for a solite lens
- Accommodates up to two accessories, plus snoot



FIXTURE	VOLTAGE	BEAM SPREAD	CRI	CCT	LUMENS	FINISH	MOUNTING	OPTIONS
MDR	1 : 120V, 1% phase-cut dimming	VNSP : 11°	9 : 95 CRI	22 : 2200K	600 : 9W	PW : Perfect White	J : 120V, 1/1	SN : Snoot
	2 : 120-277V, 1% 0-10V dimming	NSP : 15°	H : 98+ CRI	25 : 2500K	2000 : 19W	BK : Black	H : 120V, 1/1	HL : Honeycomb Louver
		NFL : 24°	M : Monowhite	27 : 2700K	2300 : 24W	SV : Silver	L : 120V, 1/1	SS : Solite Spread Lens
		MFL : 30°		30 : 3000K		BA : Brushed Aluminum	G : Gaia 120V, 2/2	LS : Linear Spread Lens
		FL : 40°		35 : 3500K		BG : Brushed Gold	Gx : Gaia 120V, 3/1	DFAx : Decorative Frosted Acrylic (length)
		WFL : 52°		40 : 4000K		GD : Gold	G2 : Gaia 277V, 2/2	SNxx : Mix + Match snoot (snoot finish)
				50 : 5000K		BZ : Bronze	G1 : Gaia 220-240V, 1/1	
						CR : Chrome	G3 : Gaia 220-240V, 3/1	
						RC : Rose Gold Chrome	GP : Gaia+ 120V, 2/2	
						BC : Black Chrome	GPx : Gaia+ 120V, 3/1	
				GC : Gold Chrome	GP2 : Gaia+ 277V, 2/2			

Notes: 98+ CRI produces less measured lumens. See photometric data.  
 MonoWhite produces less measured lumens; see photometric data. CRI specification unavailable.  
 2200K, 2500K are only available with '9' and are 90+ CRI  
 Adapter will be provided in grey for SV, BA and CR Signature Series finishes; in black for BC, BZ, BD, GD and RC  
 Consult factory for stem custom orders; only available with Gaia and Gaia+ adapters.  
 HL recommended only with NSP or NFL; SN recommended only with NSP, NFL or FL

# MDR DROPLIT

POWERED BY LUCIE  
3" TRACK MOUNT PENDANT

### OPTICS + PERFORMANCE

- 4 custom beam spreads available
  - Narrow Spot - 15°
  - Narrow Flood - 23°
  - Flood - 36°
  - Wide Flood - 60°
- 4 performance packages
  - 10W; 1000 lumens
  - 16W; 1500 lumens
  - 22W; 2000 lumens
  - 24W; 2300 lumens
- Color Temperatures
  - 95 and 98+ CRI: 2200K, 2500K, 2700K, 3000K, 3500K, 4000K, 5000K
  - Dim to Warm: 3000K to 1800K
- Fixture life:
  - Full power: 50,000 hours
  - 75% power: 100,000 hours
  - Below 50% power: 125,000 hours
  - LED 90% lumen maintenance (LM<sub>90</sub>): 60,000 hours

### ELECTRICAL + CONTROLS

- 120V: <1% Phase-cut dimming (*discreet canopy*)
- 120-277V: <1% Phase-cut or 0-10V dimming (*tall canopy*)

### CONSTRUCTION + FINISH

- Weight: 1.6 lbs.
- Die-cast aluminum alloy housing for optimal thermal performance
- Field-cuttable cable; 10' provided standard
- Standard finishes (*consult factory for custom*):
  - White: RAL 9003
  - Black: RAL 9005
  - Silver: RAL 7001
- Solais Signature Series finishes also available

### RATINGS + CERTIFICATIONS

- Meets California Title 24 + JA8
- IP20 and IK08 rated
- UL listed for dry and damp locations (*E485648*)
- Contain no lead or mercury

### WARRANTY

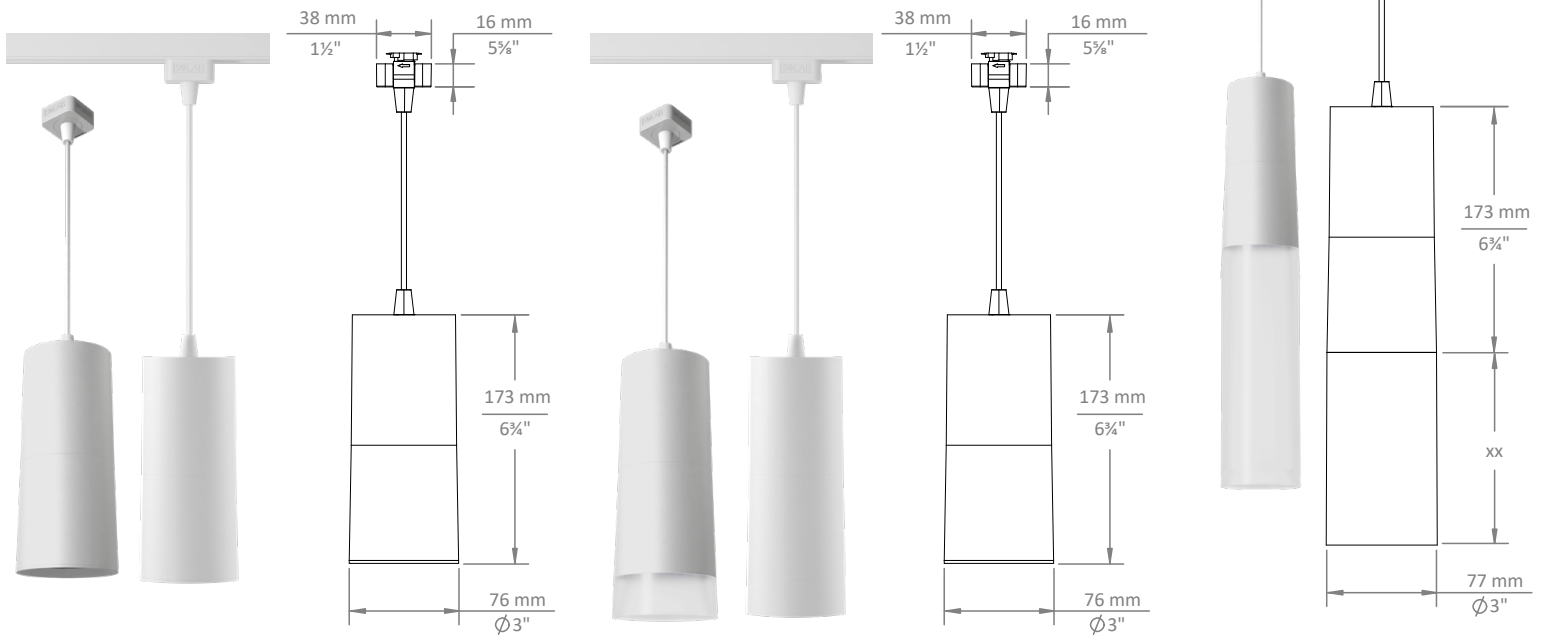
- 5-year warranty

### DIMENSIONAL DETAILS

▪ MDR w/ J, H, L-type adapter

▪ MDR w/ AS Acrylic Snoot (left), SN Matching Snoot (right)

▪ MDR w/ DFAxx



### SIGNATURE SERIES FINISHES

(shown with matching snoots)

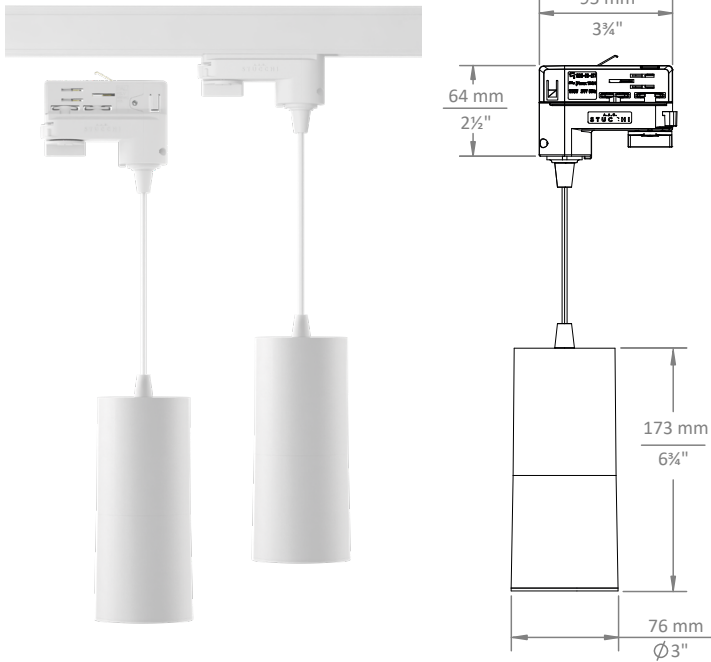


# MDR DROPLIT

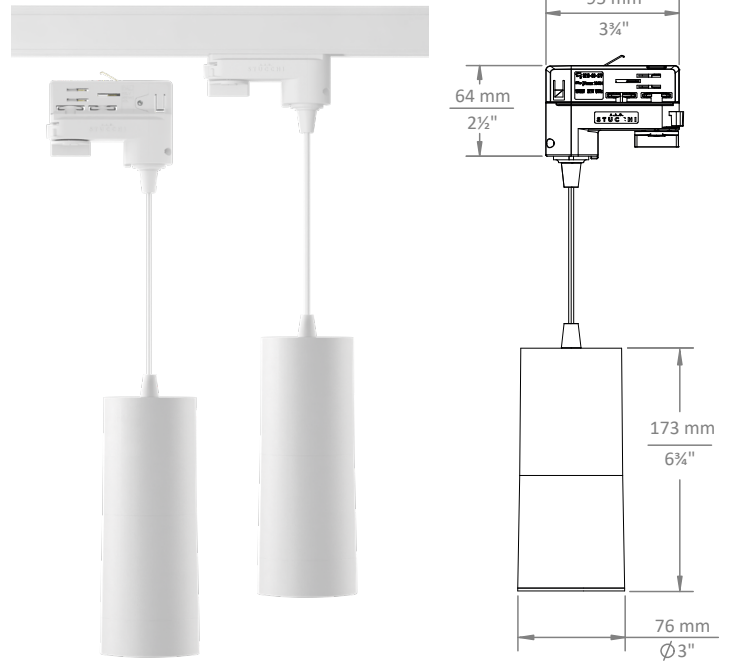
POWERED BY LUCIE  
3" TRACK MOUNT PENDANT

## DIMENSIONAL DETAILS

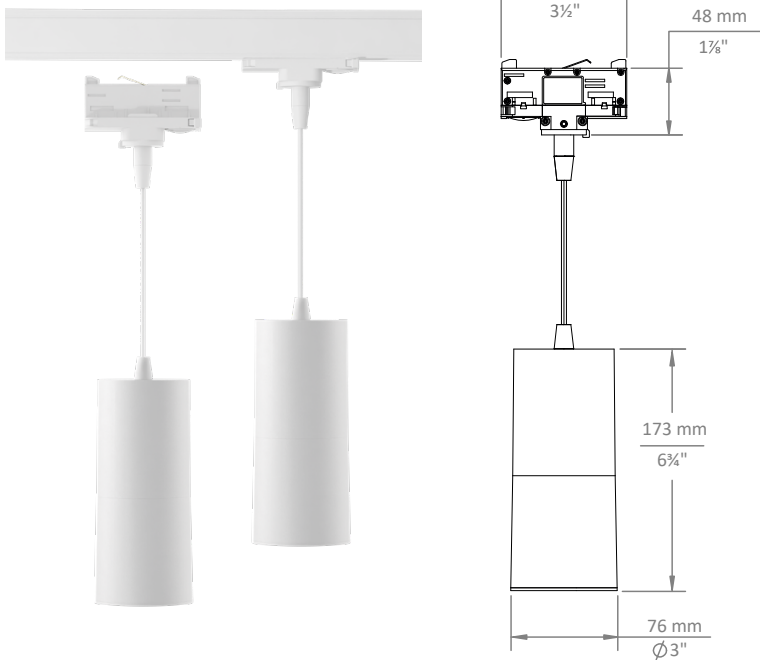
▪ G, G2, GP, GP2-type adapter



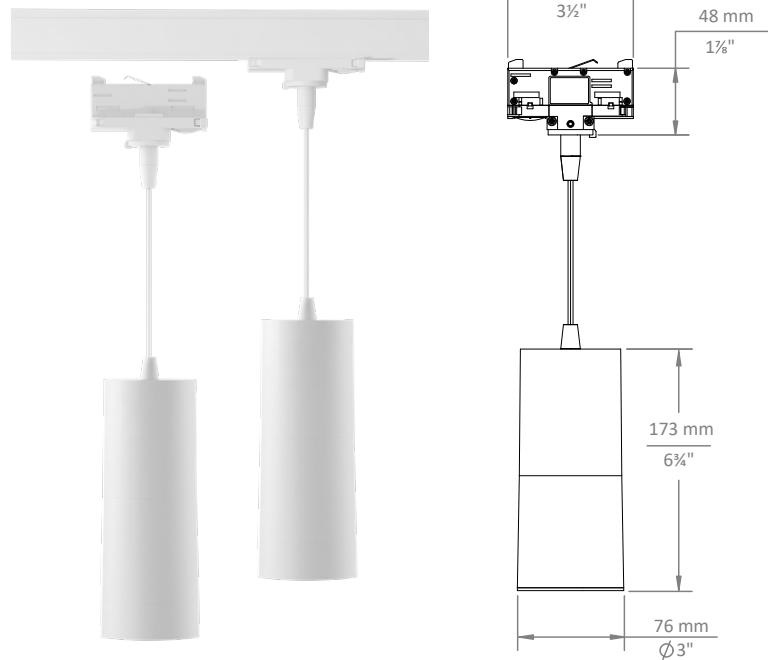
▪ With Matching Snoot (SN)



▪ Gx, GPx-type adapter



▪ With Matching Snoot (SN)



PROJECT \_\_\_\_\_ TYPE \_\_\_\_\_

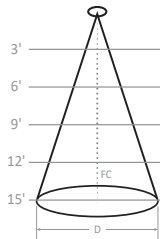
**PHOTOMETRIC DETAILS | baseline X output multiplier X cri-cct multiplier = final output**

Baseline data shown below for MDR\_/\_/1/\_/\_/\_/\_/\_/\_/\_/\_/\_/\_/930/2300/\_/\_/\_/\_ — 16W, 1600 lumens, 3000K, 95 CRI

**VNSP - 11° Very Narrow Spot**

- Input Power: 9W
- Lumens: 504 lm
- Efficacy: 57 lm/W
- CBCP: 10307
- Beam Angle: 11°
- Field Angle: 21°
- Spacing Criteria: 0.19

∠	0°	45°	90°
0°	10301	10301	10301
5°	6386	6064	5706
10°	1488	1358	1191
15°	271	223	189
20°	72	64	60
25°	34	32	31
30°	21	20	20
35°	13	13	13
40°	8	8	8
45°	4	4	4



3'	0.58' D; 801 FC
6'	1.16' D; 200 FC
9'	1.74' D; 89 FC
12'	2.32' D; 50 FC
15'	2.90' D; 32 FC

**NSP - 16° Narrow Spot**

- Input Power: 24W
- Lumens: 1768 lm
- Efficacy: 72 lm/W
- CBCP: 19020
- Beam Angle: 16°
- Field Angle: 29°
- Spacing Criteria: 0.27

∠	0°	45°	90°
0°	18936	18936	18936
5°	14820	15106	15297
10°	6526	6918	7081
15°	2033	2079	2067
20°	653	595	534
25°	217	199	185
30°	88	86	89
35°	48	48	51
40°	29	29	30
45°	16	16	17

3'	0.82' D; 1473 FC
6'	1.63' D; 368 FC
9'	2.45' D; 164 FC
12'	3.27' D; 92 FC
15'	4.08' D; 59 FC

**NFL - 24° Narrow Flood**

- Input Power: 24W
- Lumens: 2406 lm
- Efficacy: 99 lm/W
- CBCP: 9131
- Beam Angle: 24°
- Field Angle: 53°
- Spacing Criteria: 0.43

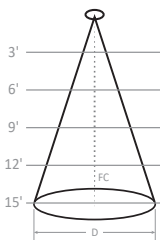
∠	0°	45°	90°
0°	9131	9131	9131
5°	8128	8000	8016
10°	5579	5494	5516
15°	3248	3206	3248
20°	1871	1845	1934
25°	1045	1049	1098
30°	524	530	547
35°	247	253	258
40°	116	121	122
45°	53	55	55

3'	1.29' D; 710 FC
6'	2.58' D; 178 FC
9'	3.87' D; 79 FC
12'	5.16' D; 44 FC
15'	6.45' D; 28 FC

**FL - 39° Flood**

- Input Power: 24W
- Lumens: 2244 lm
- Efficacy: 93 lm/W
- CBCP: 4353
- Beam Angle: 39°
- Field Angle: 71°
- Spacing Criteria: 0.71

∠	0°	45°	90°
0°	4352	4352	4352
5°	4206	4206	4209
10°	3729	3711	3741
15°	2927	2897	2943
20°	2067	2010	2084
25°	1284	1234	1307
30°	758	738	780
35°	417	406	425
40°	224	217	228
45°	118	116	122



3'	2.12' D; 339 FC
6'	4.24' D; 85 FC
9'	6.36' D; 38 FC
12'	8.48' D; 21.2 FC
15'	10.59' D; 14 FC

**WFL - 52° Wide Flood**

- Input Power: 24W
- Lumens: 2297 lm
- Efficacy: 95 lm/W
- CBCP: 2632
- Beam Angle: 52°
- Field Angle: 94°
- Spacing Criteria: 0.97

∠	0°	45°	90°
0°	2630	2630	2630
5°	2569	2576	2589
10°	2411	2420	2450
15°	2148	2169	2222
20°	1796	1815	1842
25°	1378	1387	1405
30°	966	972	992
35°	655	661	676
40°	436	446	463
45°	288	298	318

3'	2.92' D; 205 FC
6'	5.85' D; 51 FC
9'	8.77' D; 23 FC
12'	11.69' D; 13 FC
15'	14.62' D; 8 FC

**OUTPUT MULTIPLIER**

Package	Multiplier
1000 lumens; 10W	0.48
1600 lumens; 16W	0.69
2000 lumens; 20W	0.90
2300 lumens; 24W	1.00

**CRI-CCT MULTIPLIERS**

CCT	95 CRI	98+ CRI	MonoWhite
2200K	0.80	0.71	--
2500K	0.85	0.76	--
2700K	0.92	0.73	--
3000K	1.00	0.75	0.86
3500K	1.04	0.79	0.88
4000K	1.05	0.80	--
5000K	1.06	0.81	--

PROJECT \_\_\_\_\_

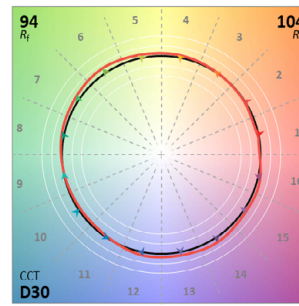
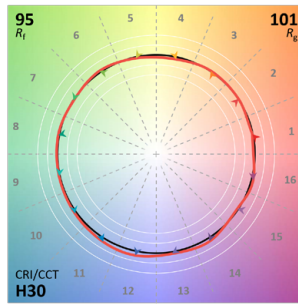
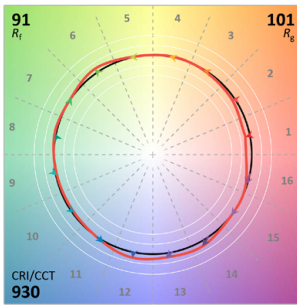
TYPE \_\_\_\_\_

## TM30 COLOR REPORTS

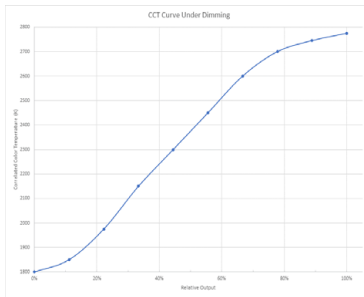
- 3000K with 95 CRI
- $R_A = 95$ ;  $R_g = 62$
- $R_f = 91$ ;  $R_g = 101$

- 3000K with 98+ CRI
- $R_A = 98$ ;  $R_g = 96$
- $R_f = 95$ ;  $R_g = 101$

- 3000K to 1800K with 97+ CRI
- $R_A = 97$ ;  $R_g = 90$
- $R_f = 94$ ;  $R_g = 104$



## DIM TO WARM DETAILS | Dim to Warm only available with NFL, FL, and WFL beam spreads @ 16W; 1000 lumens; 97+CRI



### SP - 20° Spot

- Input Power: 15W
- Lumens: 1016 lm
- Efficacy: 68 lm/W
- CBCP: 6461
- Beam Angle: 20°
- Field Angle: 39°
- Spacing Criteria: 0.36

∠	0°	45°	90°
0°	6451	6451	6451
5°	5471	5372	5372
10°	3165	3098	3078
15°	1433	1351	1363
20°	601	541	537
25°	244	203	201
30°	89	75	74
35°	35	31	31
40°	17	16	16
45°	8	8	8

### NFL - 24° Narrow Flood

- Input Power: 15W
- Lumens: 991 lm
- Efficacy: 66 lm/W
- CBCP: 4579
- Beam Angle: 24°
- Field Angle: 45°
- Spacing Criteria: 0.43

∠	0°	45°	90°
0°	4579	4579	4579
5°	4068	4015	4017
10°	2847	2765	2797
15°	1579	1485	1533
20°	701	666	672
25°	283	262	266
30°	121	116	116
35°	59	59	58
40°	28	28	28
45°	14	14	15

### FL - 36° Flood

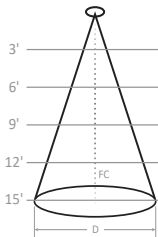
- Input Power: 15W
- Lumens: 936 lm
- Efficacy: 63 lm/W
- CBCP: 2058
- Beam Angle: 36°
- Field Angle: 66°
- Spacing Criteria: 0.65

∠	0°	45°	90°
0°	2055	2055	2055
5°	1988	1959	1954
10°	1729	1686	1683
15°	1301	1258	1256
20°	861	830	828
25°	510	490	491
30°	288	276	279
35°	157	150	154
40°	82	78	80
45°	43	40	42

### WFL - 57° Wide Flood

- Input Power: 15W
- Lumens: 939 lm
- Efficacy: 63 lm/W
- CBCP: 931
- Beam Angle: 57°
- Field Angle: 99°
- Spacing Criteria: 1.09

∠	0°	45°	90°
0°	928	928	928
5°	904	899	906
10°	868	844	861
15°	800	764	787
20°	701	663	682
25°	574	545	555
30°	429	414	417
35°	304	293	294
40°	210	199	203
45°	136	127	131



Height	SP - 20° Spot	NFL - 24° Narrow Flood	FL - 36° Flood	WFL - 57° Wide Flood
3'	1.07' D; 502 FC	1.30' D; 356 FC	1.96' D; 160 FC	3.28' D; 72 FC
6'	2.14' D; 125 FC	2.59' D; 89 FC	3.92' D; 40 FC	6.56' D; 18 FC
9'	3.21' D; 56 FC	3.89' D; 39.6 FC	5.87' D; 18 FC	9.84' D; 8 FC
12'	4.28' D; 31 FC	5.19' D; 22 FC	7.83' D; 10 FC	13.13' D; 4.5 FC
15'	5.34' D; 20 FC	6.49' D; 14 FC	9.79' D; 6 FC	16.41' D; 3 FC