

PROJECT _____ TYPE _____

SPECIFIER _____ MEMO _____

ORDERING CODE BREAKDOWN

MDR DROPLIT

POWERED BY LUCIE
3" DOWN WW TRACK MOUNT PENDANT

MAIN FEATURES

- GP concealed adapter designed to be used with Solais' Architectural Gaia+ 120-277V track systems
- 95 CRI Standard; 98+ CRI option available
- Modular platform with integrated driver meets IEEE 1789-2015
- Solais' proprietary driver technology delivers smooth, flicker-free dimming (per IEEE 1789-2015) to 1% via phase-cut or 0-10V
- Custom TIR optic platform to ensure smooth beams and excellent light control with no need for a solite lens
- Accommodates up to two accessories, plus snoot



FIXTURE	VOLTAGE	BEAM SPREAD	CRI	CCT	LUMENS	MODULE FINISH	SOCKET FINISH	MOUNTING ³
MDR	1 : 120V, 1% phase-cut dimming 2 : 120-277V 1% 0-10V Dimming	DW : Downlight Wallwash	9 : 95 CRI	22 ² : 2200K	2000 : 19W	PW : Perfect White	PW : Perfect White	J : 120V, 1/1
			H ¹ : 98+ CRI	25 ² : 2500K	2300 : 24W	BK : Black	BK : Black	H : 120V, 1/1
				27 : 2700K		SV : Silver	SV : Silver	L : 120V, 1/1
				30 : 3000K		BA : Brushed Aluminum	BA : Brushed Aluminum	G : Gaia 120V, 2/2
				35 : 3500K		BG : Brushed Gold	BG : Brushed Gold	Gx : Gaia 120V, 3/1
				40 : 4000K		GD : Gold	GD : Gold	G2 : Gaia 277V, 2/2
				50 : 5000K		BZ : Bronze	BZ : Bronze	
						CR : Chrome	CR : Chrome	
						RC : Rose Gold Chrome	RC : Rose Gold Chrome	
						BC : Black Chrome	BC : Black Chrome	
			GC : Gold Chrome	GC : Gold Chrome				

Notes: ¹98+ CRI produces less measured lumens. See photometric data.
²2200K, 2500K are only available with '9' and are 90+ CRI
³Adapter will be provided in grey for SV, BA and CR Signature Series finishes; in black for BC, BZ, BD, GD and RC
 *Consult factory for stem custom orders; only available with Gaia and Gaia+ adapters.

MDR DROPLIT

POWERED BY LUCIE
3" DOWN WW TRACK MOUNT PENDANT

OPTICS + PERFORMANCE

- 4 custom beam spreads available
 - Downlight Wallwash - 49°
- 2 performance packages
 - 22W; 2000 lumens
 - 23W; 2300 lumens
- Color Temperatures
 - 95 and 98+ CRI: 2200K, 2500K, 2700K, 3000K, 3500K, 4000K, 5000K
 - Dim to Warm: 3000K to 1800K
- Fixture life:
 - Full power: 50,000 hours
 - 75% power: 100,000 hours
 - Below 50% power: 125,000 hours
 - LED 90% lumen maintenance (LM₉₀): 60,000 hours

ELECTRICAL + CONTROLS

- J-type, L-type, H-type: 120V, 1-circuit/1-neutral or 2-circuit/1-neutral; phase-cut dimming; Low profile adapter
- G-type: 120V, 2-circuit/2-neutral; phase-cut dimming; Compatible with Solais Gaia+ GP12, Nordic TEK
- Gx-type*: 120V, 3-circuit/1-neutral; phase-cut dimming; Compatible with Solais Gaia+ GP13, XTS, XTSC, GNC7, Hoffmeister, Eutrac, iGuzzini, Zumtobel, Erco
- G2-type*: 277V, 2-circuit/2-neutral; non-dimming; Compatible with Solais Gaia+ GP22, Nordic HTEK

RATINGS + CERTIFICATIONS

- Meets California Title 24 + JA8
- IP20 and IK08 rated
- UL listed for dry and damp locations (E485648)
- Intended for normal ambient temperature applications. Consult factory for elevated temperatures or humidity (e.g. steam, hot yoga, etc.)

CONSTRUCTION + FINISH

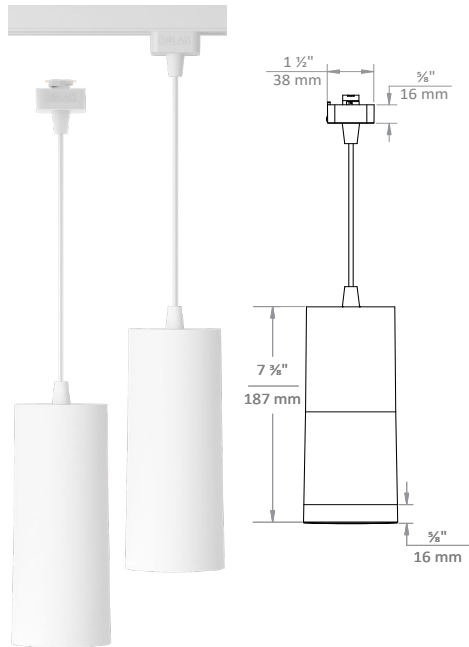
- Weight: 1.6 lbs.
- Die-cast aluminum alloy housing for optimal thermal performance
- Field-cutable cable; 10' provided standard
- Standard finishes (*consult factory for custom*):
 - White: RAL 9003
 - Black: RAL 9005
 - Silver: RAL 7001
- Solais Signature Series finishes also available

WARRANTY

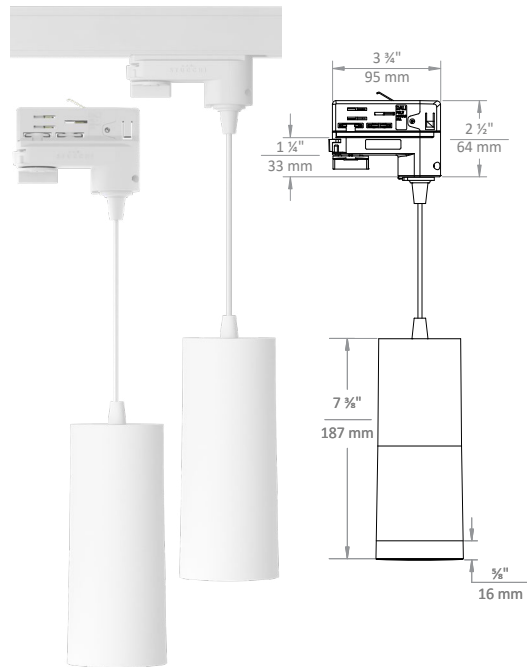
- 5-year warranty

DIMENSIONAL DETAILS

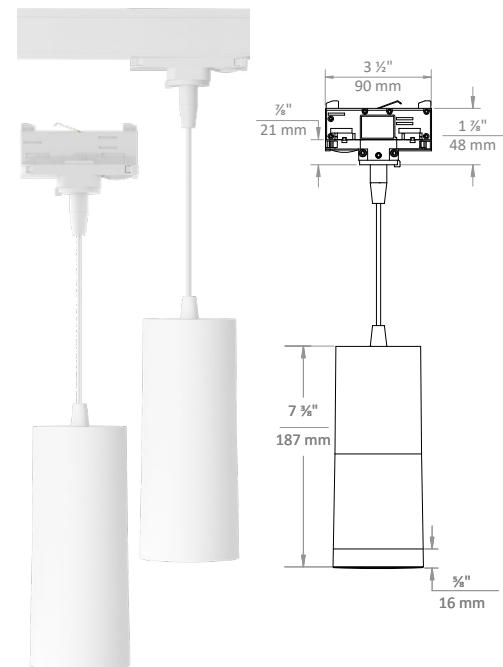
MDR w/ J, H, L-type adapter



G, G2-type adapter



Gx-type adapter



SIGNATURE SERIES FINISHES

(shown with matching snoots)

