

Current Canopy

CURRENT LIMITER + SWITCH

MAIN FEATURES

- Limits the electrical load on a circuit
- Center knock-out enables wiring from junction box
- Knock-out are offset for ease of grid ceiling installations
- Allows for use as standard switch (on/off)
- Canopy is compatible with Solais J-type and Gaia Plus 1-circuit/1-neutral and 2-circuit/2-neutral systems

CONSTRUCTION + FINISH

- Polycarbonate wire cover
- Galvanized steel mounting plate
- Tamper-proof steel screws secure cover to plate

ELECTRICAL + SAFETY

- 120V/60Hz
- Quick connect terminals for easy installation

RATINGS + CERTIFICATIONS

- UL Certified for dry locations
- RoHS-compliant
- Designed for use with Solais Rigid Beam track system

WARRANTY

- 1-year warranty



Ordering Information

Example: CC11-UM-CLC/025/PW



Power Limiter Feed Canopy

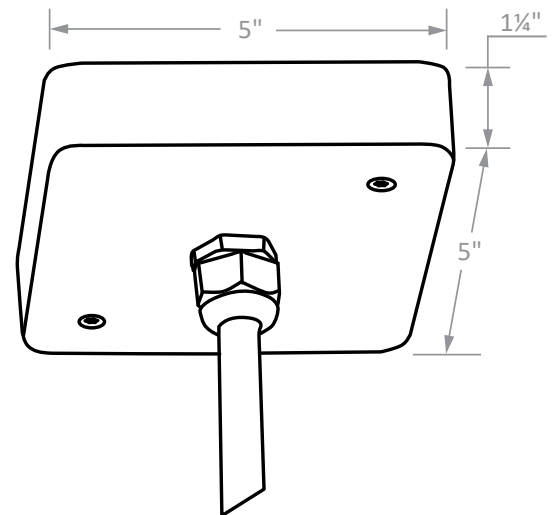
CC11-UM-CLC - 20' length for 1/1 system
 CC12-UM-CLC - 20' length for 2/1 system

Circuit Breaker

005 - 60W, 0.5A
 010 - 120W, 1A
 025 - 300W, 2.5A
 050 - 600W, 5A
 075 - 900W, 7.5A
 100 - 1200W, 10A
 120 - 1440W, 12A

Finish

PW - White
 BK - Black



* Consult factory for additional offerings and availability