

Cannula Pendant

40" Custom Order Linear Luminaire

PROJECT _____

TYPE _____

SPECIFICATION _____

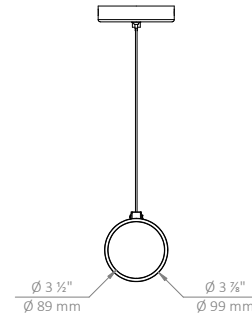
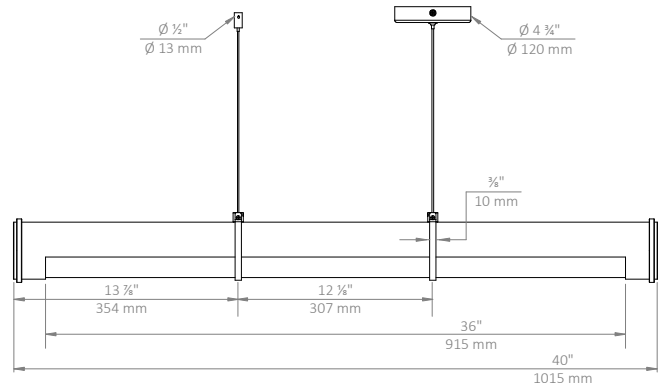
- / 120 V
- / ETL Certified
- / RoHS-compliant
- / Rated for dry loctions
- / White acrylic shade
- / Light Source: 3 x 15.5 W LED modules
- / Adjustable height: 8'



Ordering Information

Example: CLP4/40/30K/CP/CB

Fixture	Length	CRI + CCT	Finish Color	Mounting
CLP4	40 - 40"	925 - 90 CRI, 2500K 927 - 90 CRI, 2700K 930 - 90 CRI, 3000K	WN - Walnut ES - Espresso CH - Cherry GO - Golden Oak	CB - Cable Mount



NOTE: This product is a special order, non-stocked decorative fixture.
Please consult factory for lead times, minimum ordering quantities and pricing.
A prepayment will apply at PO. NCNR (non-cancelable, non-returnable.)

WARNING: Not for use in fully enclosed luminaires. Risk of electric shock. Use in an indoor, dry location only. This device is not intended for use with emergency exit fixtures or emergency exit lights. May not be compatible with all dimmers; please visit solais.com/dimming for up-to-date dimmer compatibility information.

NOTES: This device complies with Part 15 of the FCC Rule. This product may cause interference with other devices. If interference occurs, change the locations of the products involved.

Information subject to change without notice.