

Circular Plate Sconce

10" Custom Order Luminaire

PROJECT _____

TYPE _____

SPECIFICATION _____

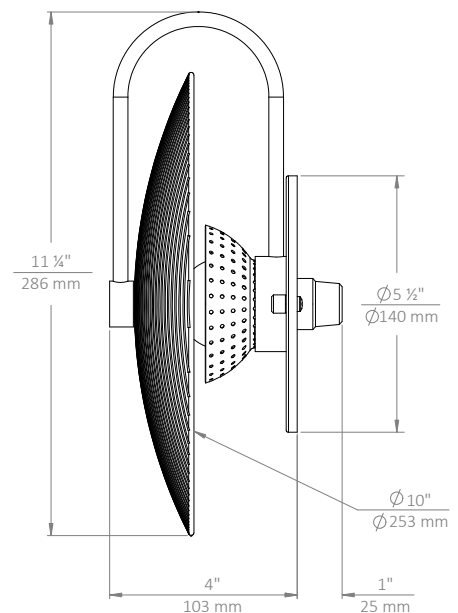
- \ 120 V
- \ ETL Certified
- \ RoHs-compliant
- \ 4" depth meets Americans with Disabilities Act standards
- \ Fits standard junction box
- \ Light Source: E12 base (lamp by others)



Ordering Information

Example: CPS10/AB/B/BS

Fixture	Shade Material	Metal Material	Metal Finish
CPS10	AB - Alabaster AG - Alabaster-like Glass SG - Linear Spread Lens Glass WA - White Acrylic	S - Painted Steel B - True Brass	BS - Brushed Brass DB - Dark Brass CR - Chrome BN - Brushed Nickel GD - Gold



NOTE: This product is a special order, non-stocked decorative fixture. Please consult factory for lead times, minimum ordering quantities and pricing. A prepayment will apply at PO. NCNR (non-cancelable, non-returnable.)