



- IMPORTANT:** Read **ALL** instructions before starting installation. Save instructions for later use.
- CAUTION:** To reduce risk of shock, **TURN OFF ELECTRICAL SUPPLY** before installing/servicing track.
- WARNING:** **TRACK** must be installed with its intended use and in accordance of National Electrical Code (NEC) and/or any local codes. *Failure to do so may result in serious injury and/or damage.*

### Recommended Tools

Screw Driver



Wire Stripper



Wing Nuts



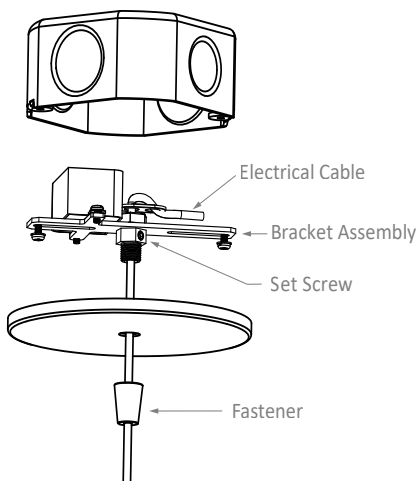
### Safety Instructions

- Observe and follow all label information and instructions regarding dry, damp and wet location listings, proper lamp type and wattage, warnings of installation near combustible materials and/or insulation.
- Turn off power at circuit breaker before attempting to install or perform maintenance on the fixtures.
- Be sure to connect ground wire to prevent electric shock or other potential hazards.
- The product must be installed in a manner consistent with the intended use and in compliance with the national electrical codes and local codes.
- **WARNING: RISK OF FIRE.**

Most dwellings built before 1985 have supply wire rated for 60°C. Consult a qualified electrician before installation. The fixture must be connected with supply wire rated for at least 75°C.

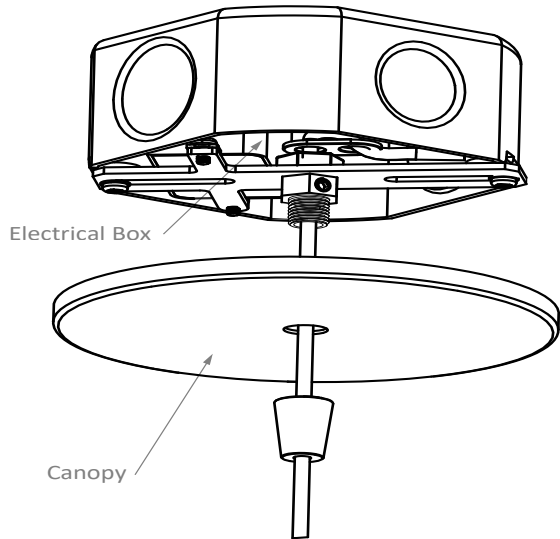
- Use only Solais Lighting components listed for use with this fixture. Use of components other than those listed by Solais Lighting is a violation of N.E.C. 110-3(B) and voids all warranties. Use **ONLY** with proper Solais Lighting modules.

### Installation Instructions



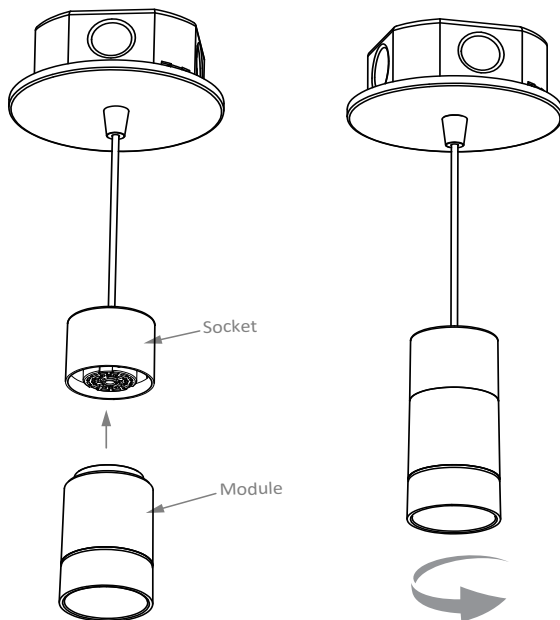
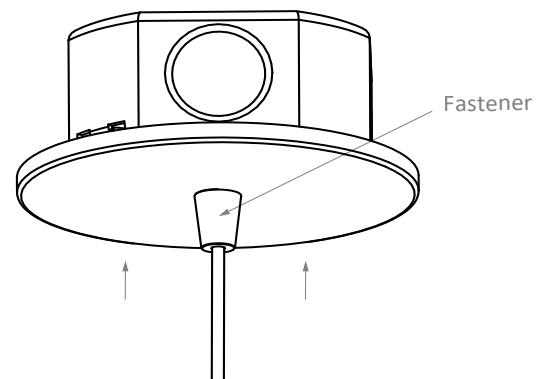
- Loosen fastener by rotating counter-clockwise in order to separate canopy from bracket assembly.
- Fasten bracket assembly to electrical box.
- If cable needs to be adjusted:
  - Disconnect output wiring.
  - Loosen setscrew.
  - Pull wire to desired length.
  - Fasten setscrew to lock desired length.
  - Cut excess wire in order for wiring to fit in electrical box.
  - Re-connect output wiring RED (+) to RED (+) and BLACK (-) to BLACK (-).

### Installation Instructions



- Connect Line, Neutral, Ground and dimming connections as required.
- Fit wiring inside electrical box and assemble canopy.

- Move canopy to site flush with the ceiling.
- Secure canopy in place and tighten fastener by turning clockwise until secure.



- Align module with socket, push and rotate clockwise until module snaps in place and is secured.