

Plated Globe Sconce

INSTALLATION INSTRUCTIONS

SOLAIS®



IMPORTANT:

CAUTION:

WARNING:

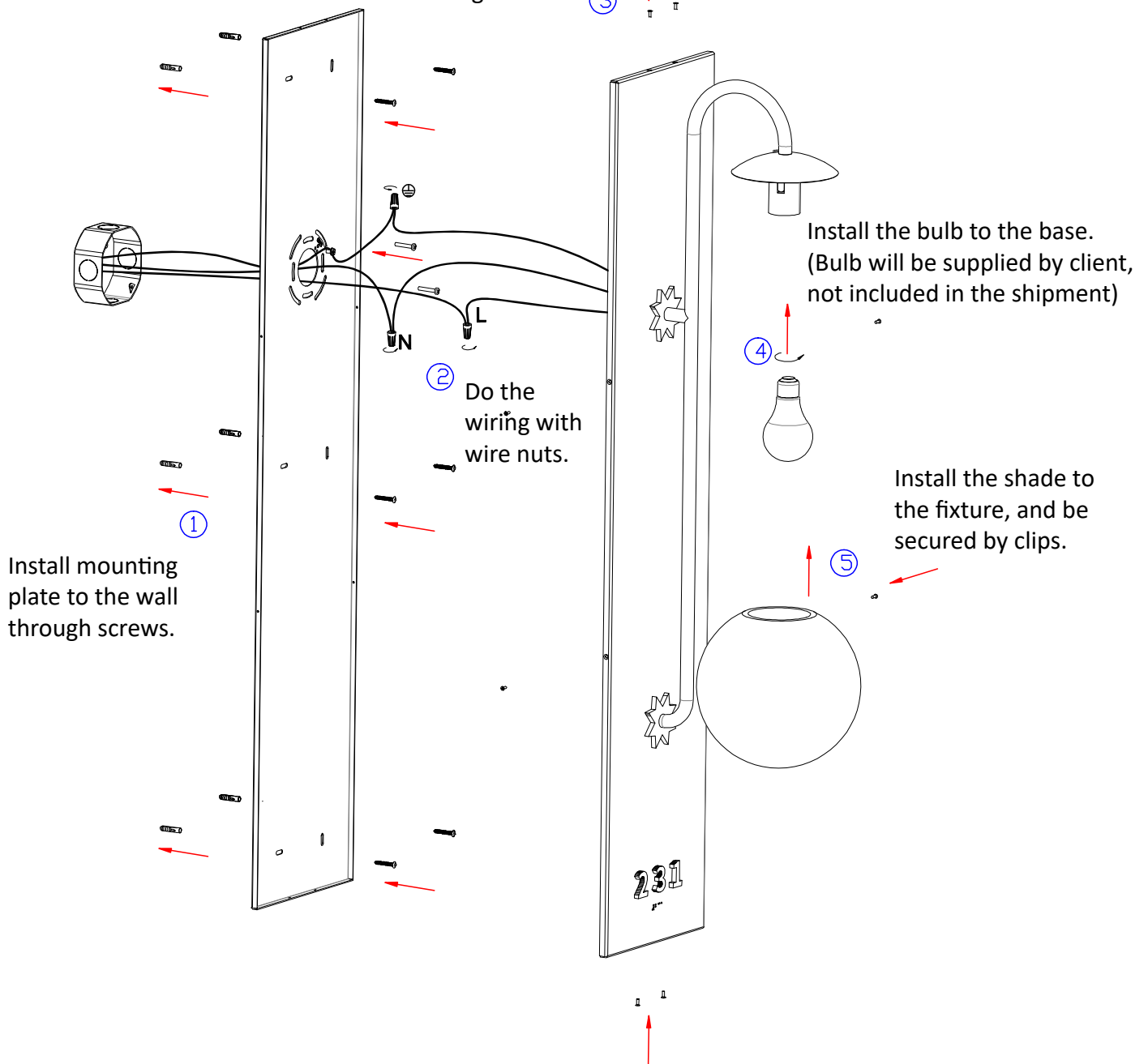
Read **ALL** instructions before starting installation.

To reduce risk of shock, **TURN OFF ELECTRICAL SUPPLY** before installing / servicing the fixtures. Properly ground electrical enclosure.

RISK OF FIRE.

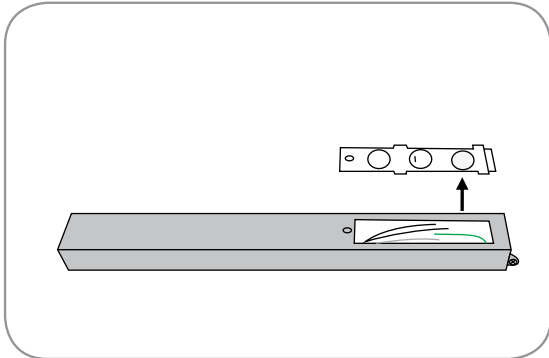
Fixture must be installed in accordance of National Electrical Code (NEC) and/or any local codes. *Failure to do so may result in serious injury and/or damage to the fixture.*

Install the back plate to the mounting plate through screws. ③

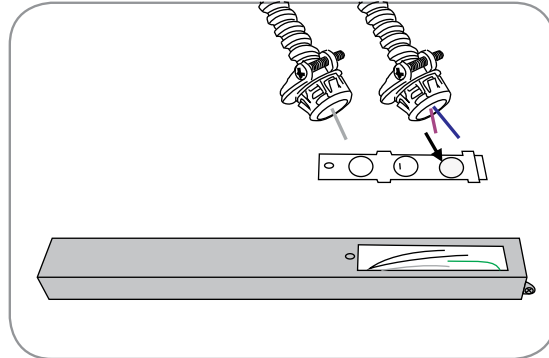


Lumitray 2.0

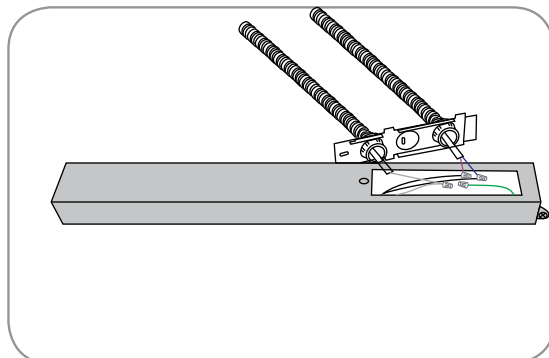
INSTALLATION INSTRUCTIONS



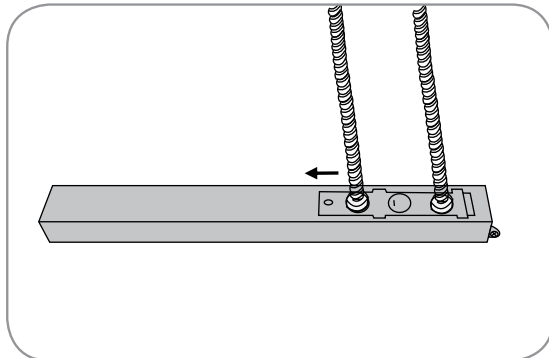
7 Open the knockout hole.



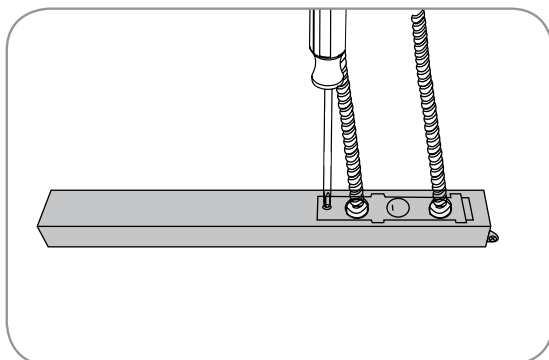
8 Insert the cable into driver box.



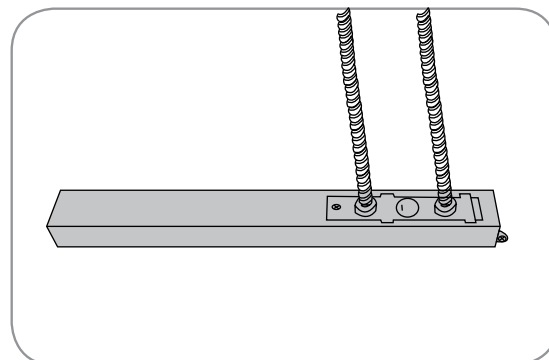
9 Connect the AC mains power to LED Driver for Non-dimmable panel.



10 Connect the AC mains power and 0-10V dim cable to LED Driver for 0-10V dimmable panel.



11 Fix the driver cover back.



12 Complete.