



IMPORTANT: Read **ALL** instructions before starting installation. Save instructions for later use.
CAUTION: To reduce risk of shock, **TURN OFF ELECTRICAL SUPPLY** before installing/servicing track.
WARNING: **TRACK** must be installed with its intended use and in accordance of National Electrical Code (NEC) and/or any local codes. *Failure to do so may result in serious injury and/or damage.*

Recommended Tools

Screw Driver



Cutting Tool



Wire Strippers



Wing Nuts

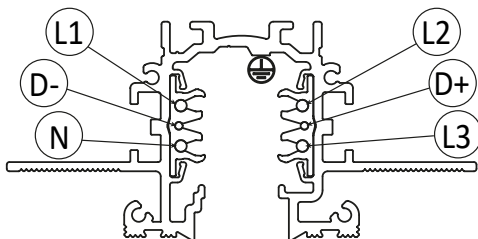


Safety Instructions

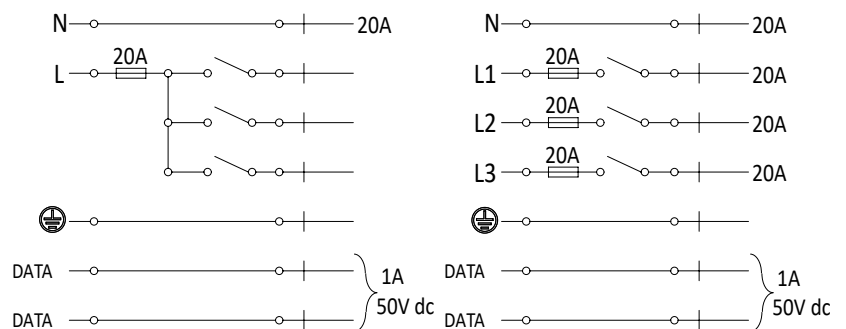
- Observe and follow all label information and instructions regarding dry, damp and wet location listings, proper lamp type and wattage, warnings of installation near combustible materials and/or insulation.
- Turn off power at circuit breaker before attempting to install or perform maintenance on the fixtures.
- Be sure to connect ground wire to prevent electric shock or other potential hazards.
- The product must be installed in a manner consistent with the intended use and in compliance with the national electrical codes and local codes.
- **WARNING: RISK OF FIRE.**

Most dwellings built before 1985 have supply wire rated for 60°C. Consult a qualified electrician before installation. The fixture must be connected with supply wire rated for at least 75°C.

- Use only Solais Lighting components listed for use with this fixture. Use of components other than those listed by Solais Lighting is a violation of N.E.C. 110-3(B) and voids all warranties. Use **ONLY** with proper Solais Lighting fixtures.

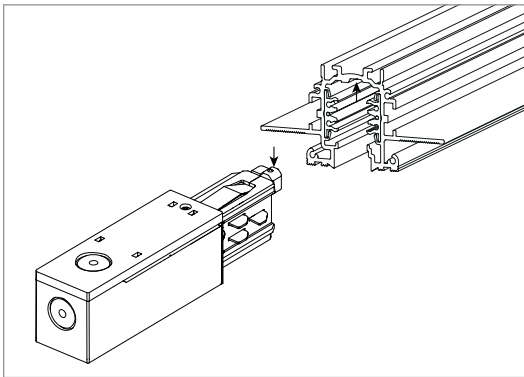
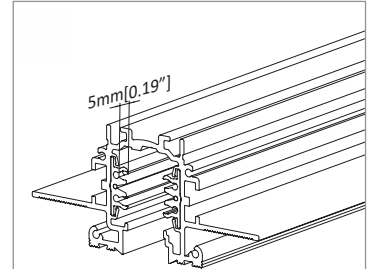
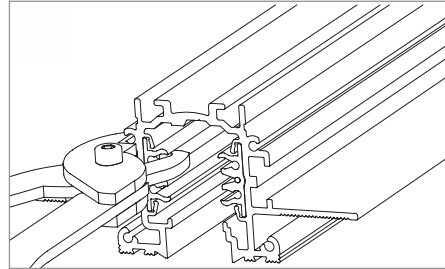


3 CIRCUITS 120V ac Max 20A

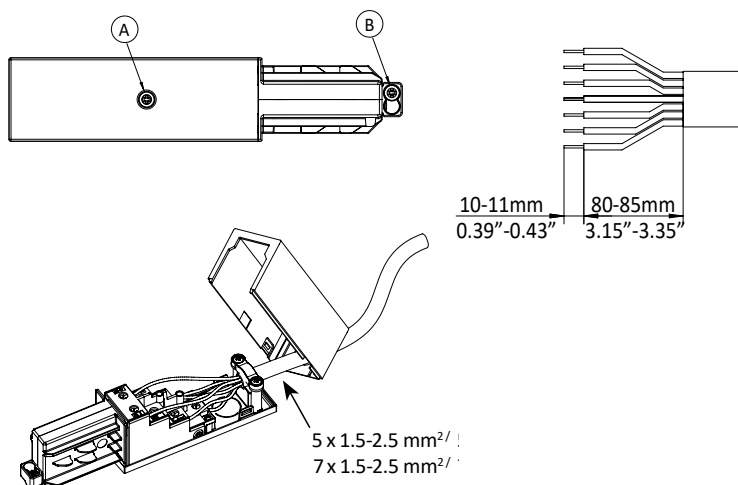


Installation Instructions

- Track is provided with the copper conductors already recessed, compliant to safety standards. If necessary to cut track in field during installation, after the necessary cut is made, use the GAIA+ cutting tool to recess the copper conductors a minimum of 5 mm (0.2") to meet safety standards.



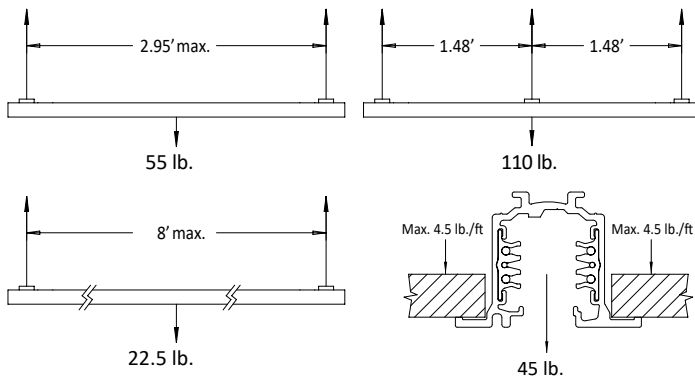
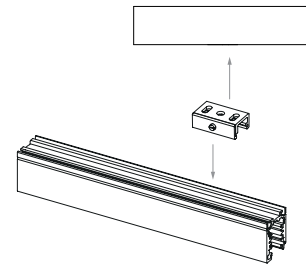
- The live end feed is equipped with a mechanical key to ensure the correct insertion into the track. This is to assist in the accurate wiring of the system.



- End Feed Wiring
 - Remove the end-feed cover, unscrewing screw 'A' so access contacts.
 - Strip power cables as shown (left).
 - If necessary, use a gasket to close the gap between the cable and the hole on the end-feed (not included)
 - Proceed to wire the end-feed contacts as per markings (L1/L2/L3/N/T/D+/D-)
 - After wiring place the cover on the end feed and tighten screw 'A'.
 - Finally insert the end-feed into the track and lock it by tightening screw 'B'.

Installation Instructions

- Fix to ceiling
 - Install ceiling bracket by screwing into blocking
 - Then fix track to bracket
 - Refer to weight and distance guide (right) to determine the number of clamps needed for installation.



- Refer to weight and distance guide (left) to determine the number of clamps needed for installation.

- Ready to finish!
- Note that access to live end feed should remain from below the ceiling.
- To install fixture, set knob to '0', then snap in with even pressure.
- After fixture is in place, rotate knob to access desired circuit.

