



- IMPORTANT:** Read **ALL** instructions before starting installation. Save instructions for later use.
- CAUTION:** To reduce risk of shock, **TURN OFF ELECTRICAL SUPPLY** before installing/servicing luminaire.
- WARNING:** **LUMINAIRE** must be installed with its intended use and in accordance of National Electrical Code (NEC) and/or any local codes. *Failure to do so may result in serious injury and/or damage.*

SAFETY INSTRUCTIONS

- To reduce the risk of death, personal injury or property damage from fire, electric shock, falling parts, cuts/abrasions, and other hazards read all warnings and instructions included with and on the fixture box and all fixture labels.
- Before installing, servicing, or performing routine maintenance upon this equipment, follow these general precautions.
- Commercial installation, service and maintenance of luminaires should be performed by a qualified licensed electrician.

DO NOT INSTALL DAMAGED PRODUCT!

- This fixture is intended to be connected to a properly installed and grounded UL listed junction box.

WARNING: RISK OF ELECTRICAL SHOCK

- Turn off electrical power at fuse or circuit breaker box before wiring fixture to the power supply.
- Turn off the power when you perform any maintenance.
- Verify that supply voltage is correct by comparing it with the luminaire label information.
- Make all electrical and grounded connections in accordance with the National Electrical Code and any applicable local code requirements.
- All wiring connections should be capped with UL approved wire connectors.

CAUTION: RISK OF INJURY

- Wear gloves and safety glasses at all times when removing luminaire from carton, installing, servicing or performing maintenance.
- Avoid direct eye exposure to the light source while it is on.
- Account for small parts and destroy packing material, as these may be hazardous to children.

CAUTION: RISK OF FIRE

- Keep combustible and other materials that can burn away from luminaire and lamp/lens.

FIELD ADJUSTABLE WATTAGE AND CCT

Adjust lighting using dedicated switches, as depicted in the diagram.

Color Temperature:

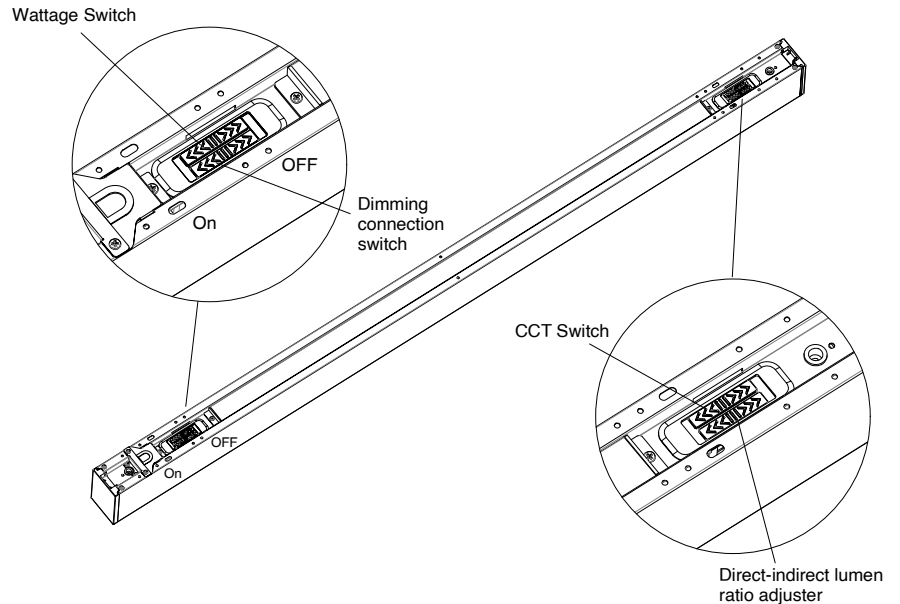
Select from 5 different CCT settings:
2700K, 3000K, 3500K, 4000K, 5000K

Lumen Output:

Select from 4 power options (per ft):
1250lm/10W, 1000lm/8W,
750lm/6W, 625lm/5W

Direct-to-Indirect Lumen Ratio:

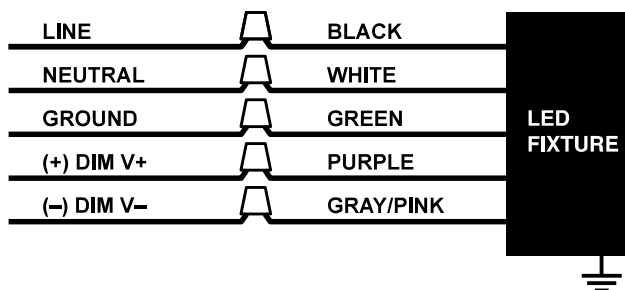
Select from 3 light balance settings:
100% Down, 70% Down/30% Up,
50% Down/50% Up



There is also a dimming connection switch which enables selective isolation/connection of adjacent fixture driver dimming wires while managing dimmable circuit interoperability across interconnected lighting systems. It enables sensor to control designated one or multiple fixtures via parallel-connected dimming wires.

When set to OFF, the dimming wire contact on the fixture end near the switch is disconnected.

WIRING INSTRUCTIONS



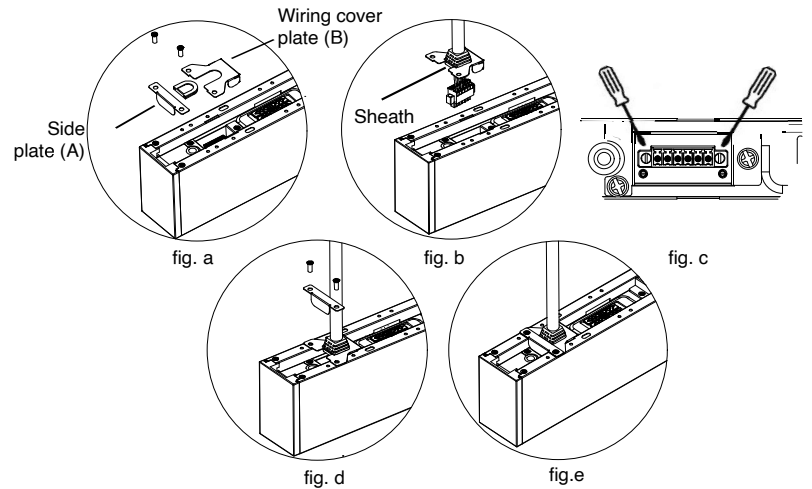
CAUTION: Turn OFF electrical power at fuse or circuit breaker box before continuing

NOTE: Remove protective film from fixture before use.

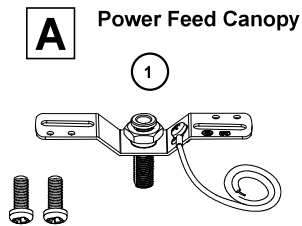
- Connect black fixture wire to HOT LINE supply wire.
- Connect white fixture wire to NEUTRAL supply wire.
- Connect green fixture wire to supply ground wire.
- Connect purple fixture wire to (V+) DIM wire.
- Connect gray/pink fixture wire to (V-) DIM wire.

FIXTURE POWER CORD

- Remove wiring Plate A and B. (fig. a)
- Snap Power cord sheath onto plate B. (fig. b)
- Connect the male plug on the power cord to the female socket inside the fixture. (fig. c)
- Tighten the 2 lock-screws on the male plug with flat-head screwdriver. (fig. c)
- Reattach Plate A + B to fixture body. (fig. d)
- Power cord installation completed. (fig. e)



PENDANT/SUSPENSION MOUNT : POWER AND NON-POWER CANOPY



No.	Part	Qty.
1	Cross-bar with Ground wire and screw	1
2	4.3" Power-feed Canopy, Grommet	1
3	Threaded Sleeve	1
4	Suspension Cable – height adjustable	1



No.	Part	Qty.
1	Fixture Power Cord	1

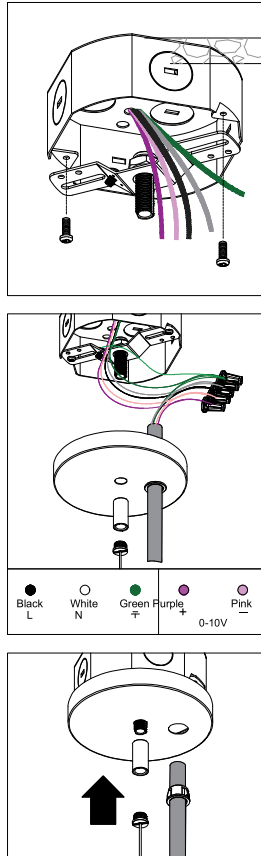


No.	Part	Qty.
1	Cross-bar, Anchors and Screws	1
2	4.3" Non-feed Canopy	1
3	Threaded Sleeve	1
4	Suspension Cable – height adjustable	1
5	Connection Kit*	1

* Toggle bolt suitable for drywall ceiling or T-Grid ceiling.
 * Connection Plate required in any type of connection application.

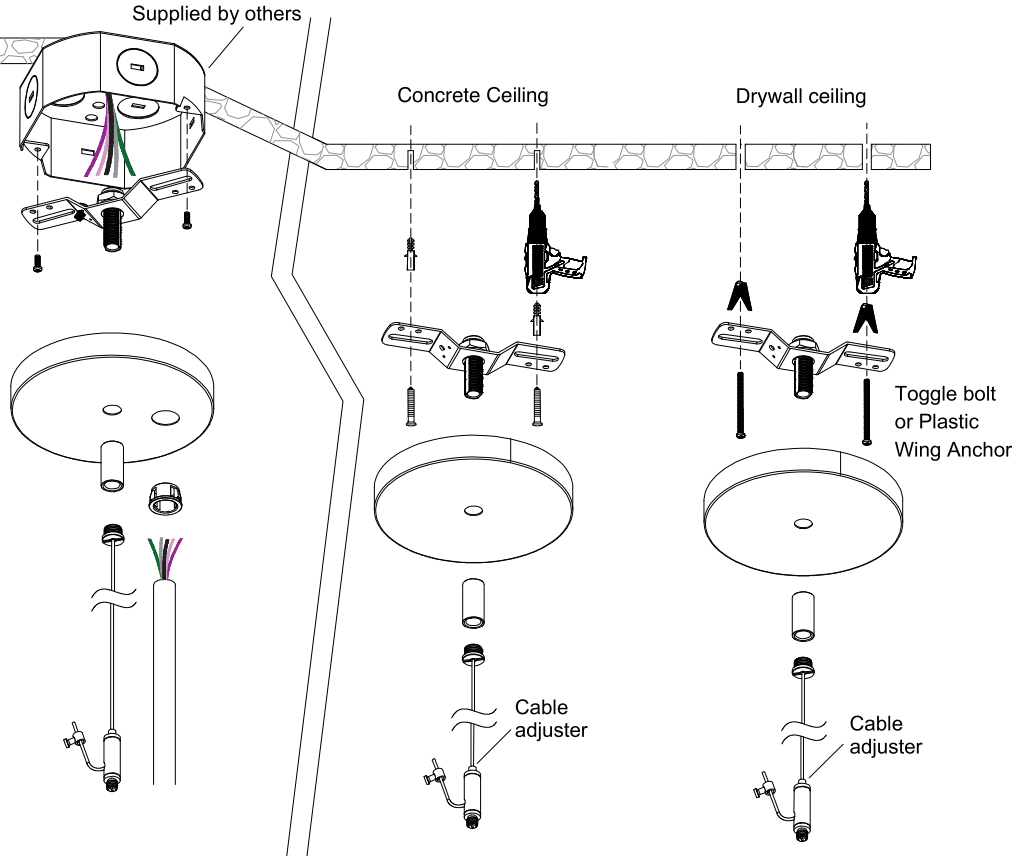
PENDANT/SUSPENSION MOUNT : POWER AND NON-POWER CANOPY continued

Power Feed Canopy



Supplied by others

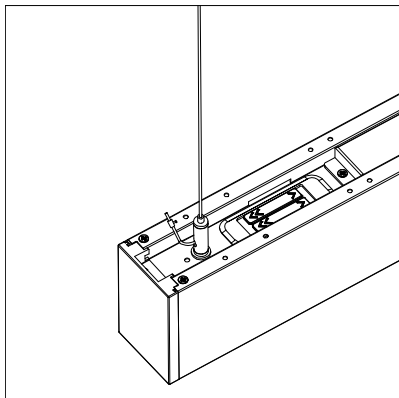
Non-Power Feed Canopy



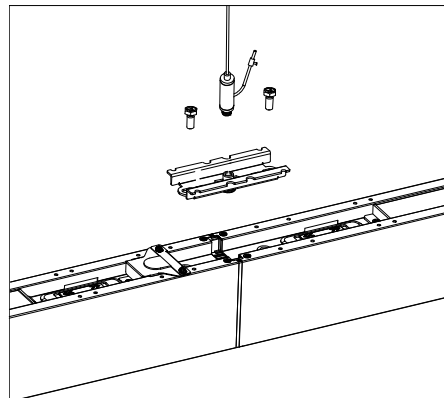
When no 0-10V dimming system is required, isolate the purple/pink wire using a compliant terminal.

FIXTURE SIDE INSTALLATION

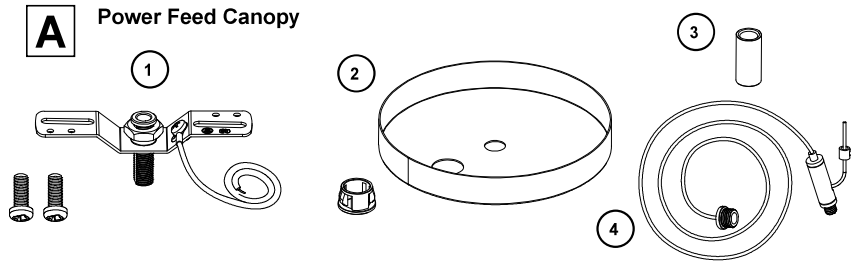
Independent pendant



Pendant at connection position



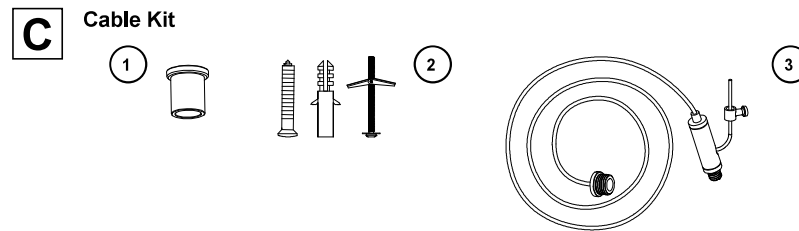
PENDANT/SUSPENSION MOUNT : POWER CANOPY + CABLE KIT



No.	Part	Qty.
1	Cross-bar with Ground wire and screw	1
2	4.3" Power-feed Canopy, Grommet	1
3	Threaded Sleeve	1
4	Suspension Cable – height adjustable	1



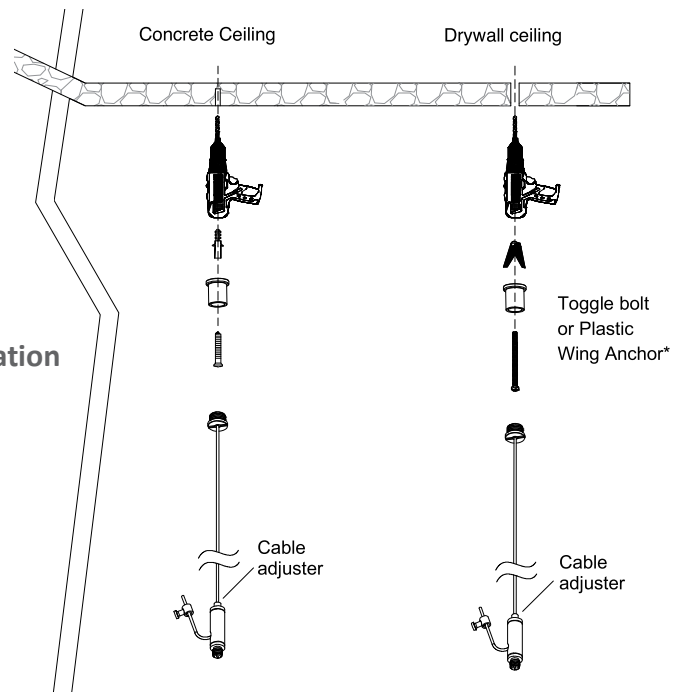
No.	Part	Qty.
1	Fixture Power Cord	1



No.	Part	Qty.
1	Ceiling Nut	1
2	Anchor and Screws	1
3	Suspension Cable – height adjustable	1

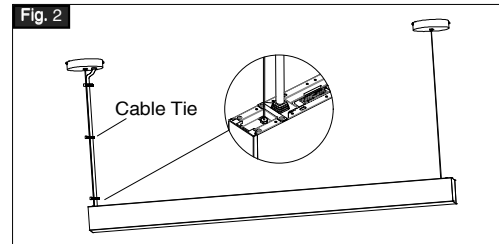
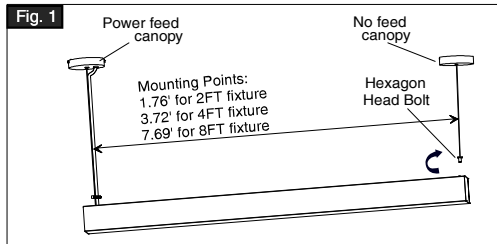
Power Feed Canopy Installation same as previously shown.

Cable Kit Installation



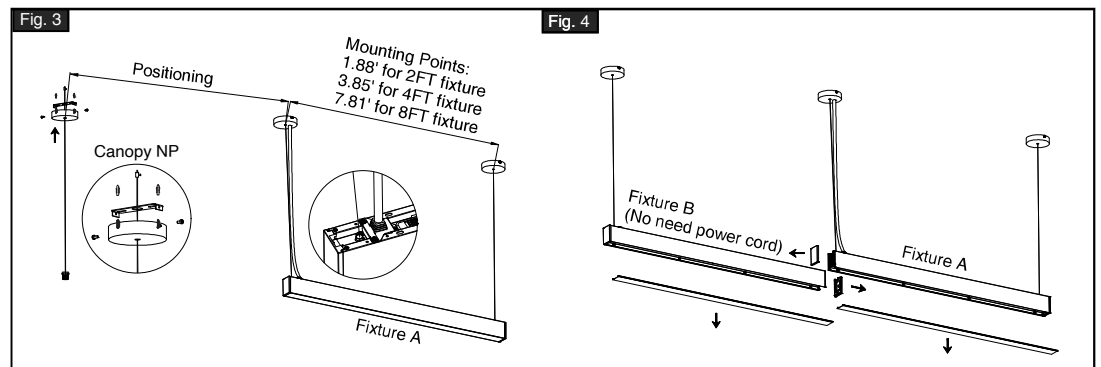
Fixture Side Installation same as previously shown.

SINGLE UNIT SUSPENSION

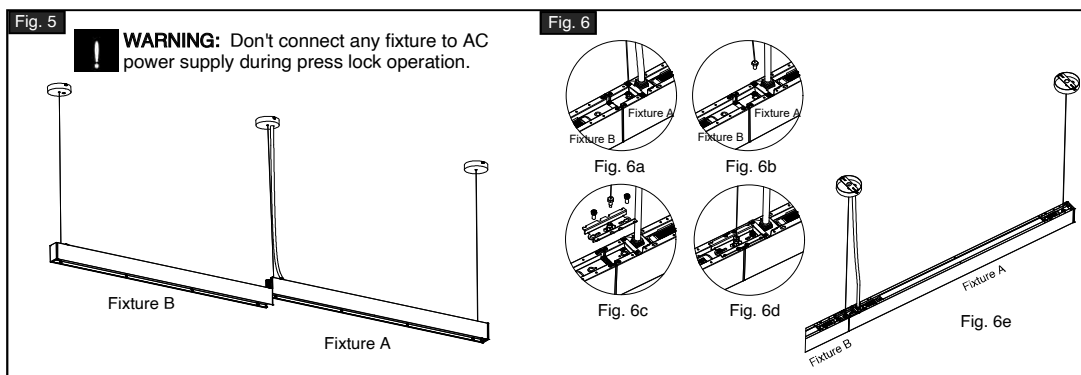


CONTINUOUS RUN SUSPENSION

- Install cross-bar and non-feed Canopy to the ceiling after positioning as per dimensions in Fig. 3.
- Hang one end of Fixture B firmly. Remove end caps and diffusers of **BOTH** fixtures. (Fig. 4)

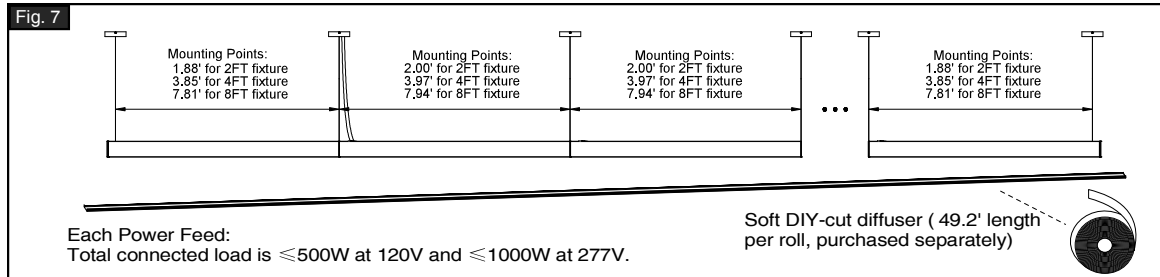


- Align Fixture B to Fixture A, press to interlock the 2 fixtures in a line. (Fig. 5)
- Remove the cable bolt hung on the Fixture A. (Fig. 6a, 6b)
- Install the center hexagon nut to the connection plate. Then, align the connection plate with the positioning holes and secure it with 2 hexagon head bolts. Hang the combination with the cable bolt just removed. (Fig. 6c, 6d)
- Adjust to desired height. (Fig. 6e)

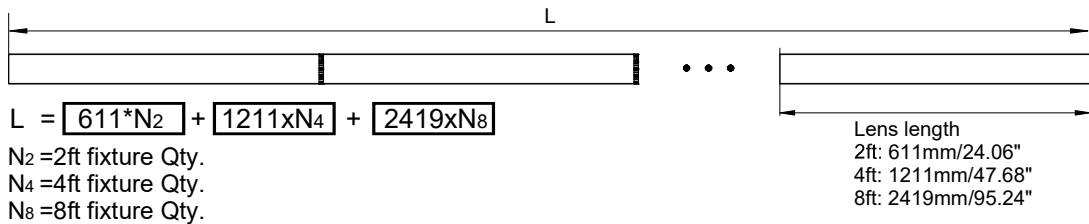


CONTINUOUS RUN SUSPENSION continued

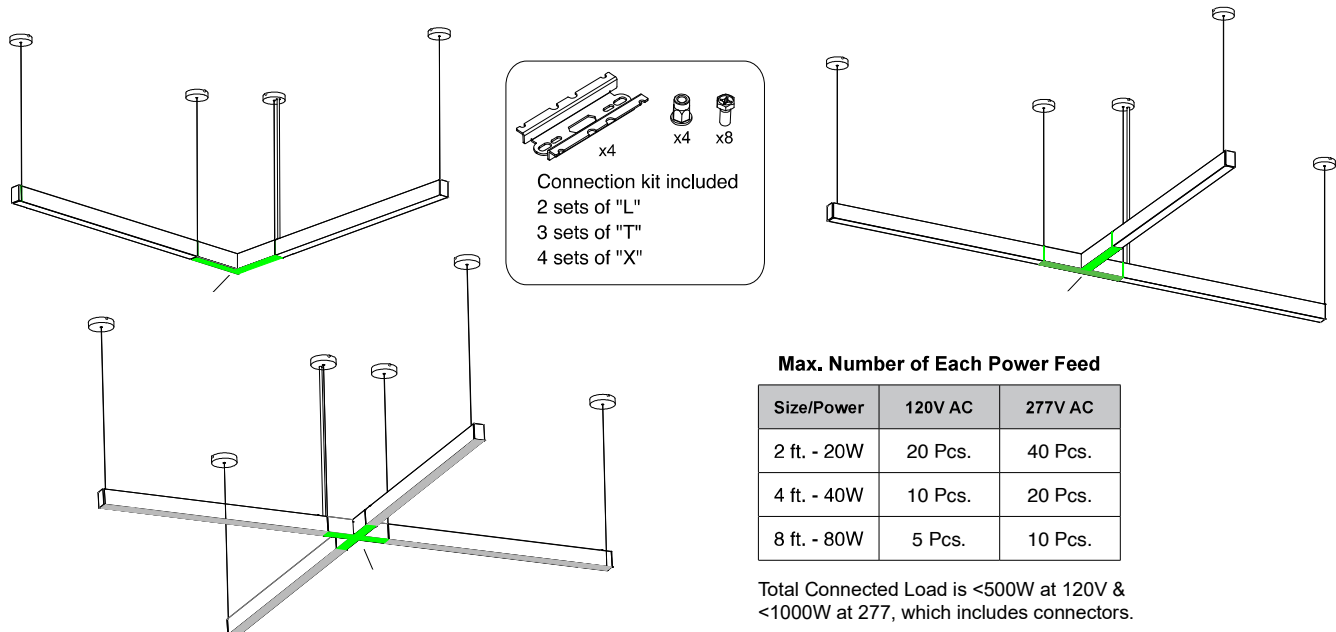
- Repeat above installation steps to make continuous run.
- Cut the soft lens into a suitable length and install into channel of fixture
- Refer to Length Calculator Below



DIFFUSER LENGTH CALCULATOR FOR SEAMLESS CONTINUOUS RUN

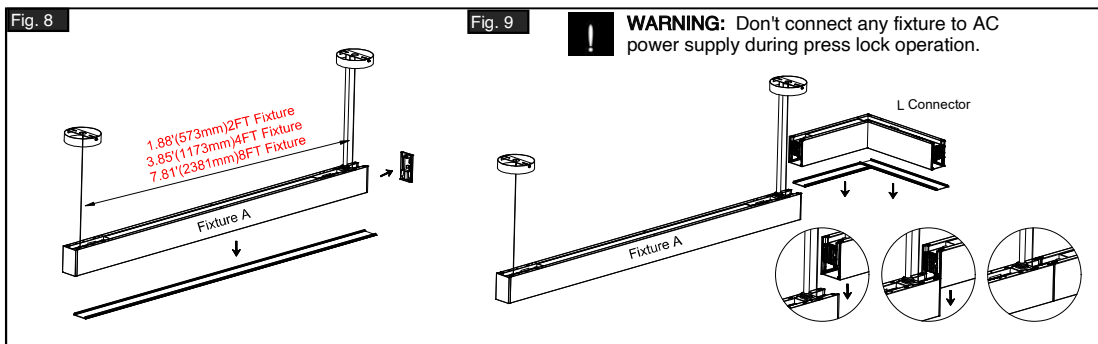


CONNECTORS

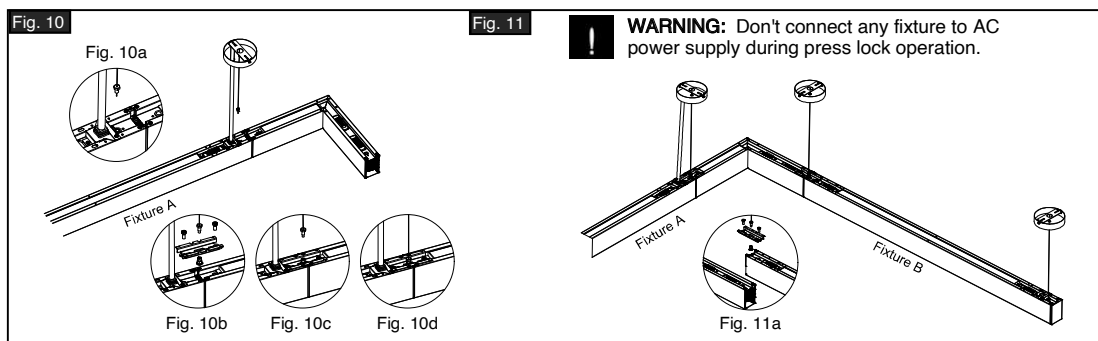


'L' SHAPE CONNECTOR

- Hang fixture A to the ceiling after positioning, remove end cap and diffuser. (Fig. 8)
- Press and lock the 'L' connector to fixture A after removing connector lens. (Fig. 9)
- Ensure connector housing aligns to fixture housing. (Fig. 9)



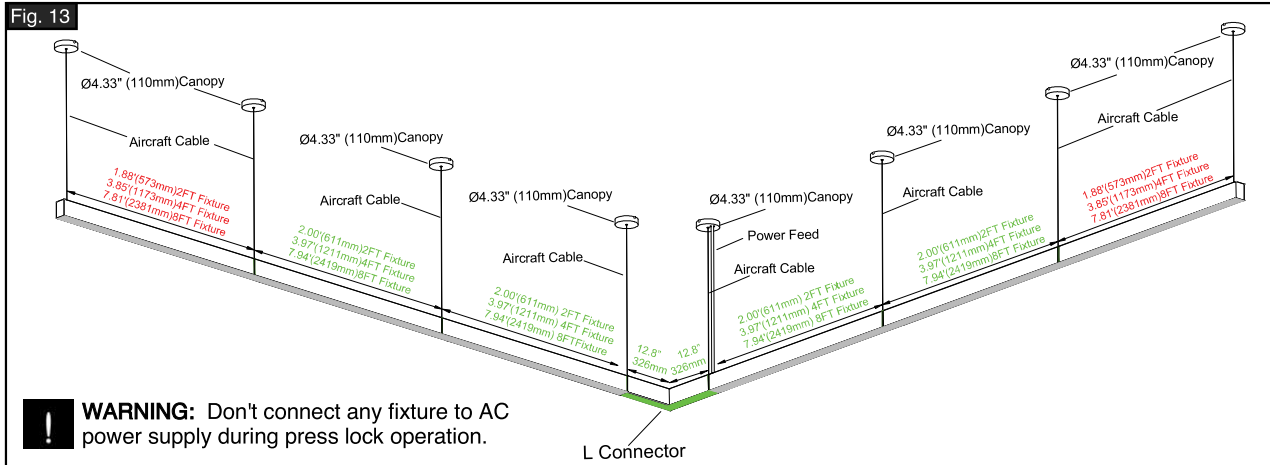
- Remove cable bolt hung on Fixture A (Fig. 10a). Secure center hex nut to connection plate.
- Align connection plate with positioning holes and secure with 2 hex head bolts. (Fig. 10b)
- Hang the combination with the cable bolt just removed and adjust to desired height. (Fig. 10c, 10d)
- Hang one end of Fixture B firmly to the ceiling after positioning. Remove end-cap and diffuser of fixture B.
- Press and lock fixture B to 'L' connector. Ensure fixture B housing aligns to connector housing (Fig.11)
- Secure connection plate to fixture B and 'L' connector.
- Hang completed 'L' combination and adjust to desired height. (Fig. 11a)



- Reattach the lenses to the fixtures and "L" connector.

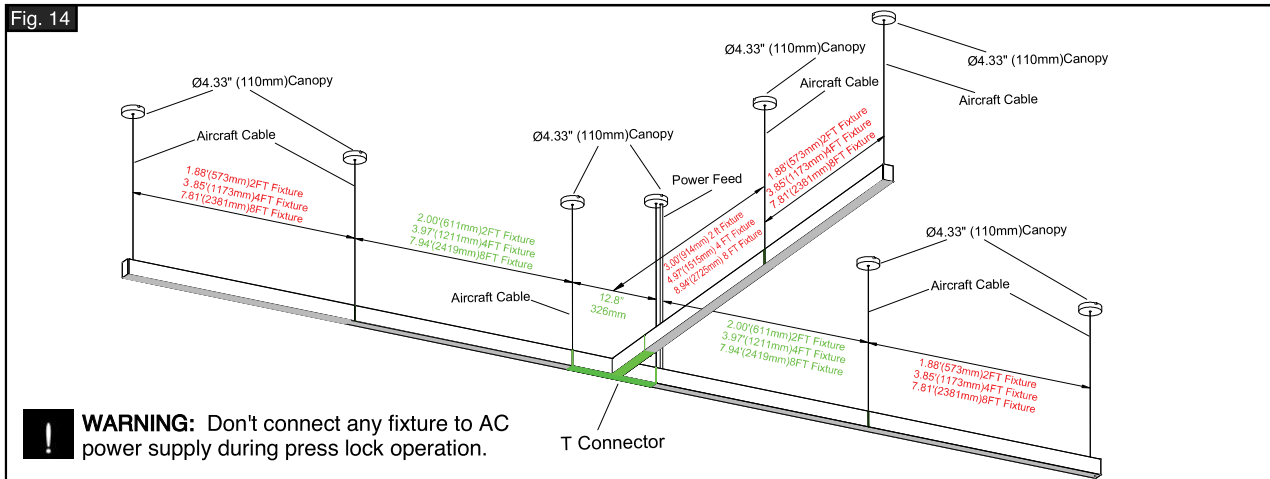
CONTINUOUS 'L' SHAPE RUN

Fig. 13



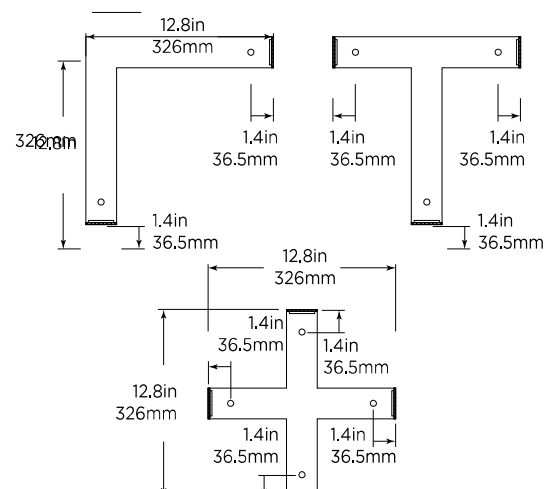
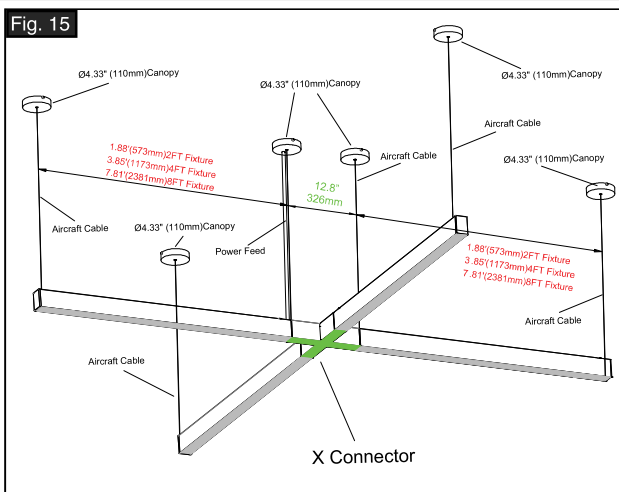
CONTINUOUS 'T' SHAPE RUN

Fig. 14



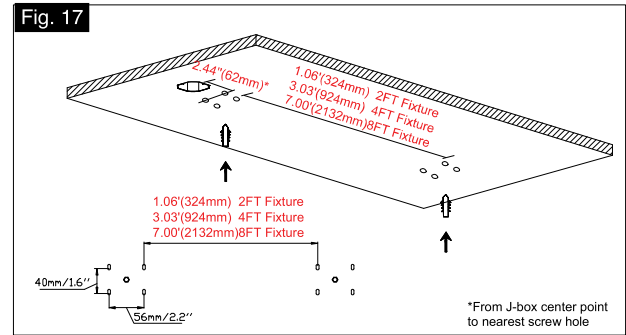
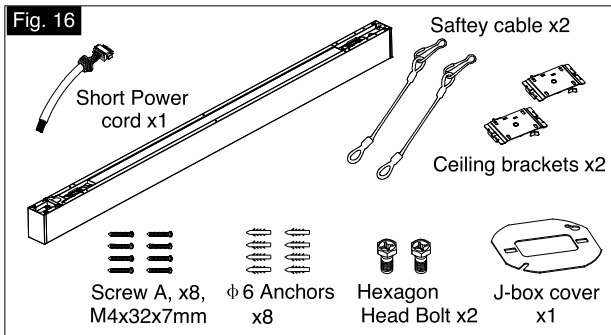
CONTINUOUS 'X' SHAPE RUN

Fig. 15



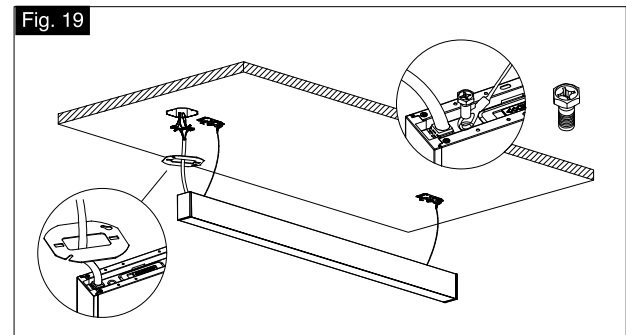
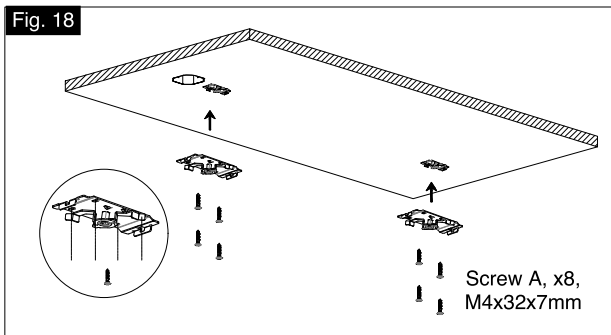
SURFACE MOUNT

- Position using j-box as reference point and drill holes in ceiling using brackets as ruler. Then install anchors.



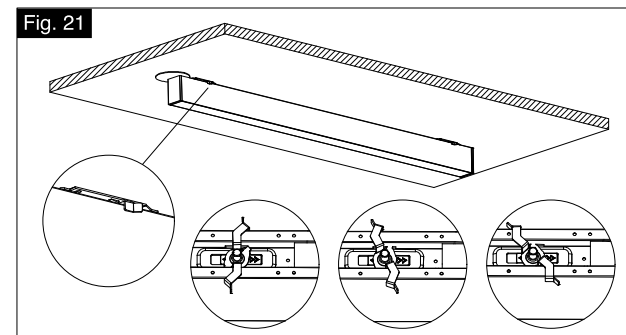
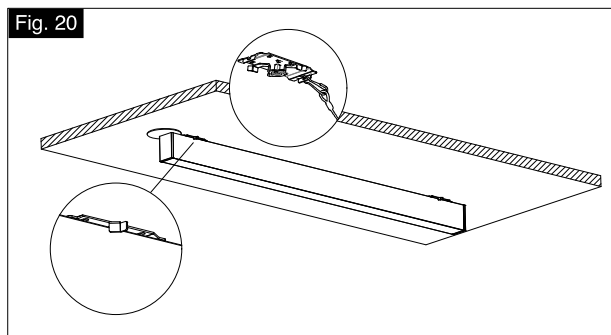
- Fix brackets to ceiling with provided screw A.

- Fix safety cable to fixture back with Hex Bolt.
- Hang safety cables on brackets.
- Pass power cord through the provided J-box cover-plate and make connection to main power.



- Attach fixture to brackets as shown.
- Toggle and lock latch on bracket.

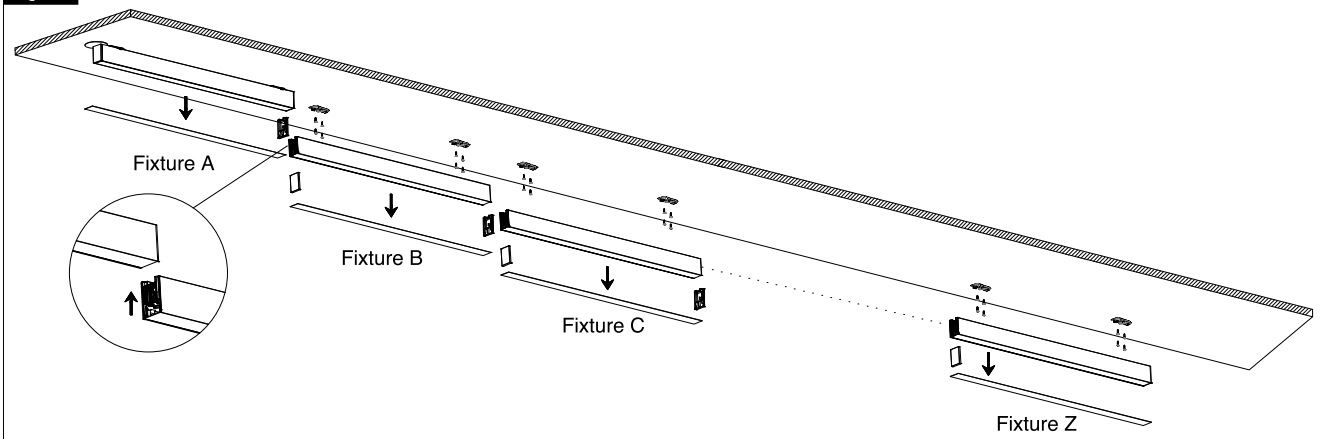
- Make sure fixture is hung in the ceiling firmly.
- Clean fingerprints and smudges as needed.



SURFACE MOUNT continued

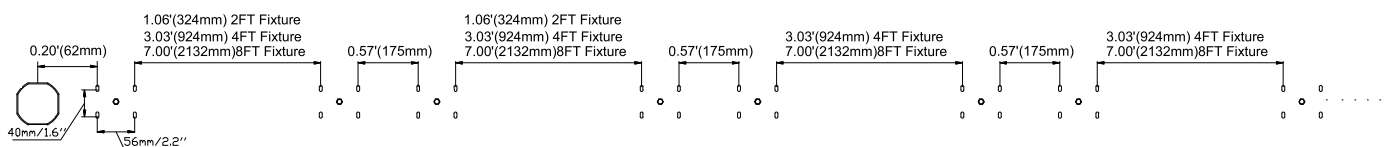
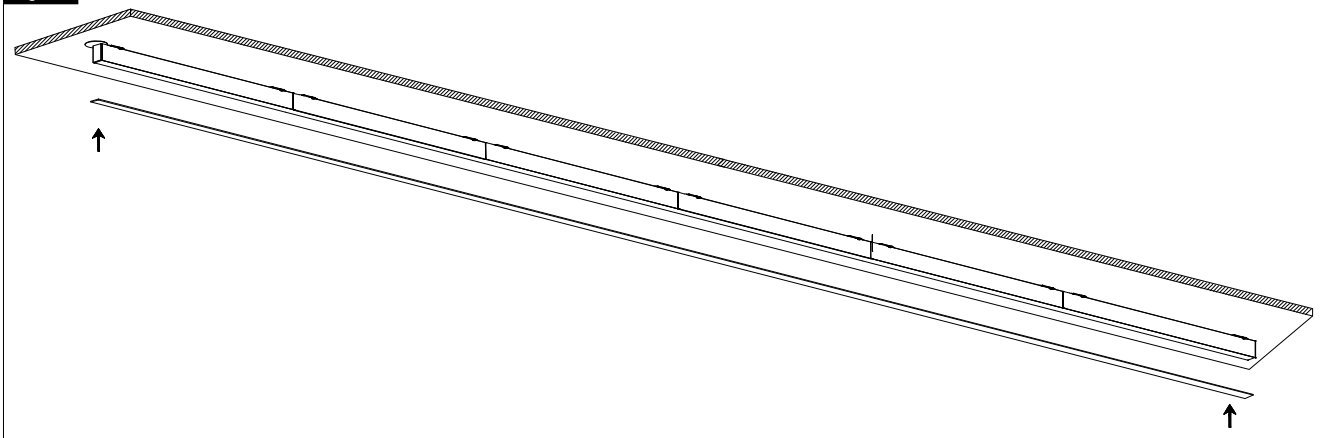
- Remove end caps and lens according to Fig. 22.
- Align Fixture A to Fixture B; Align Fixture B to Fixture C repeat for the remainder. Press to interlock in a line.
- As shown in Fig. 18 to 21 above: Fix brackets to ceiling, fix safety cable to fixture, hang safety cables on brackets, attach fixture to brackets, and toggle lock the latch on bracket.

Fig. 22



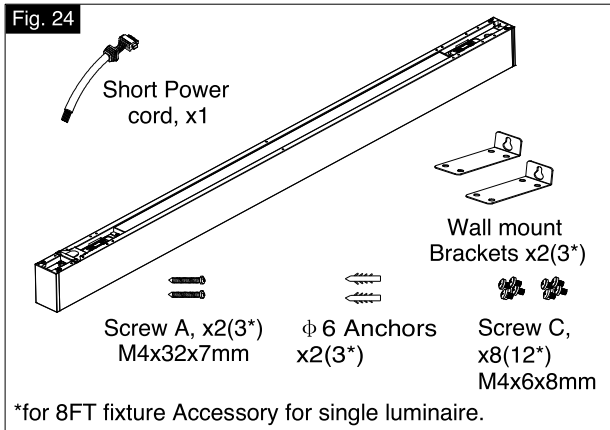
- Cut roll lens into a suitable length (as per Length Calculator)
- Install into channel of fixture housing.

Fig. 23

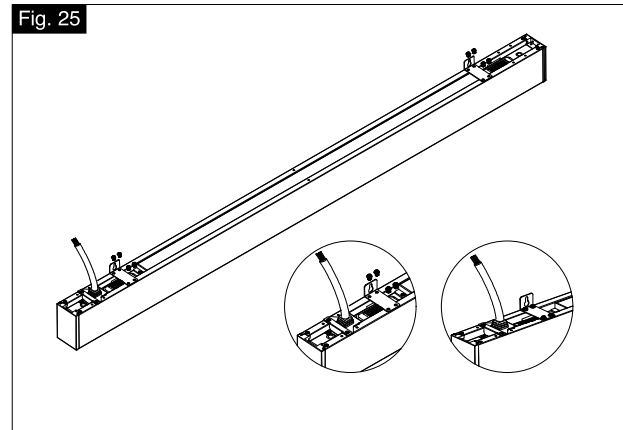


WALL MOUNT

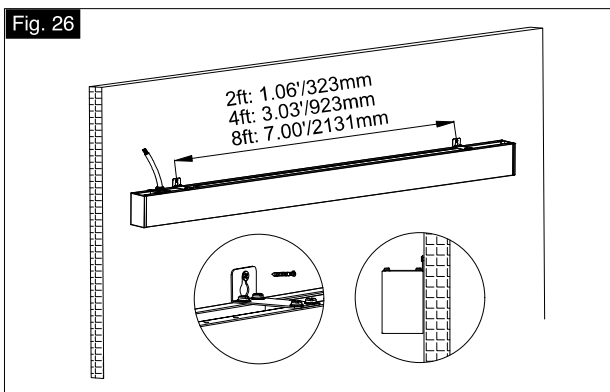
- Connect provided short power cord to the fixture before installation.



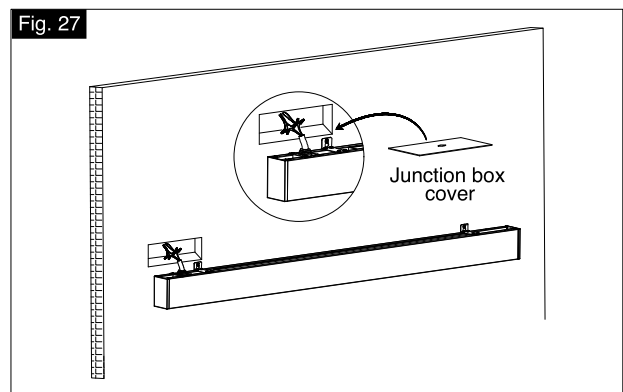
- Secure wall mount brackets to the fixture back with screw A.



- Position using j-box as reference point, drill 6mm holes in the ceiling as shown.
- Then install anchors and hang fixture with provided screws.



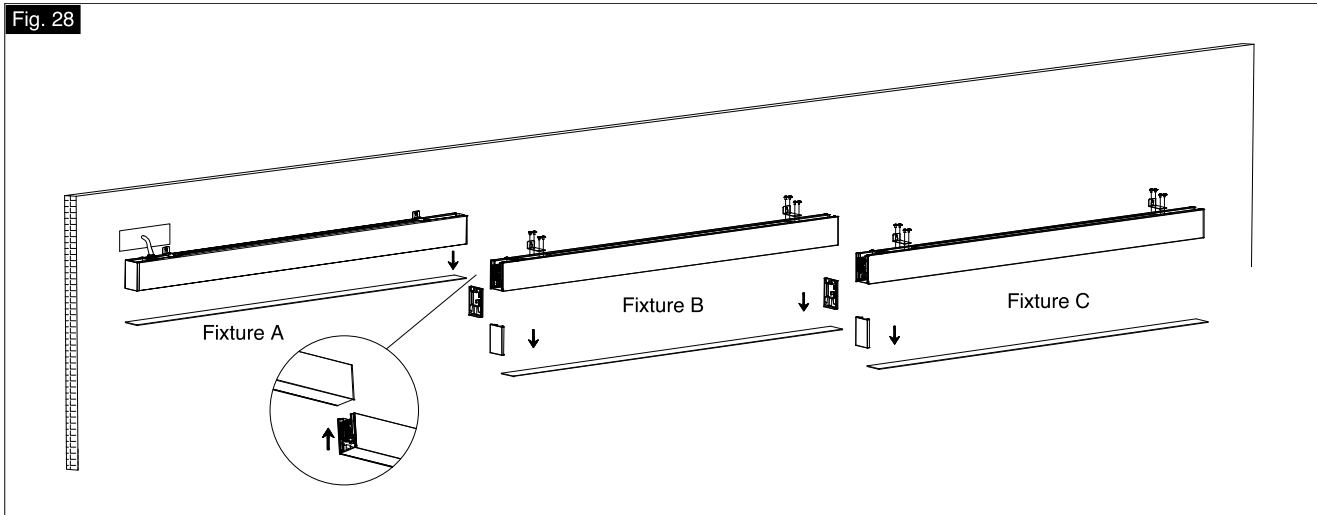
- Make wiring connection to main power as required by code and local regulations.
- Place all wires and connectors into j-box.
- Cover j-box and clean fingerprints and smudges.



WALL MOUNT continued

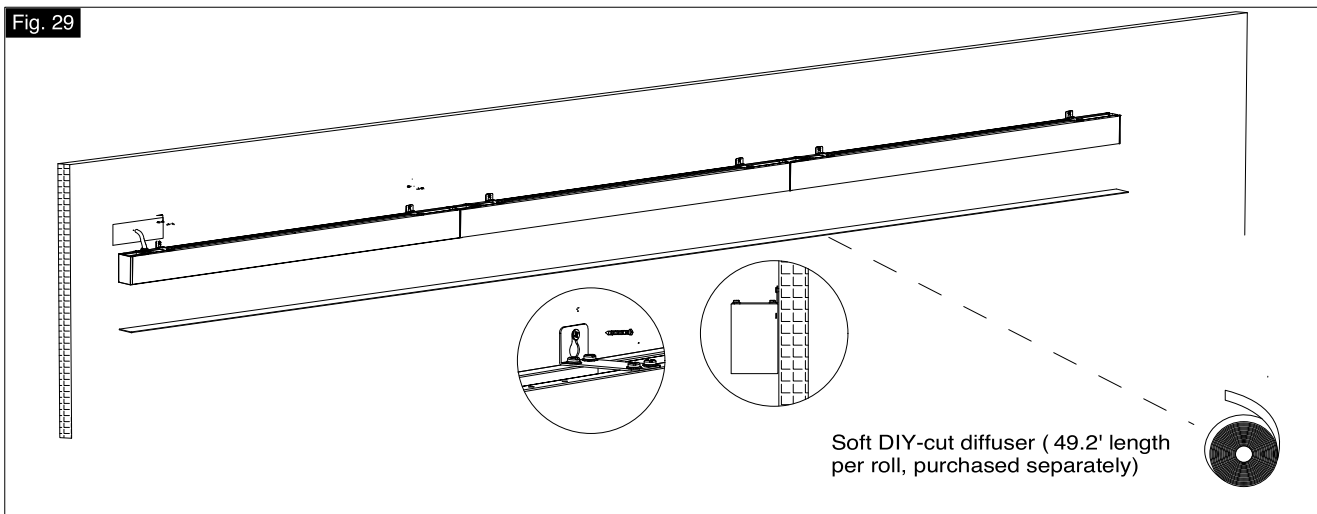
- Remove end caps and lens according to Fig. 28.
- Align Fixture B with Fixture A, then align Fixture C to Fixture B. Press to interlock fixtures in a line.
- Secure wall mount brackets to the fixture back with Screw C.

Fig. 28



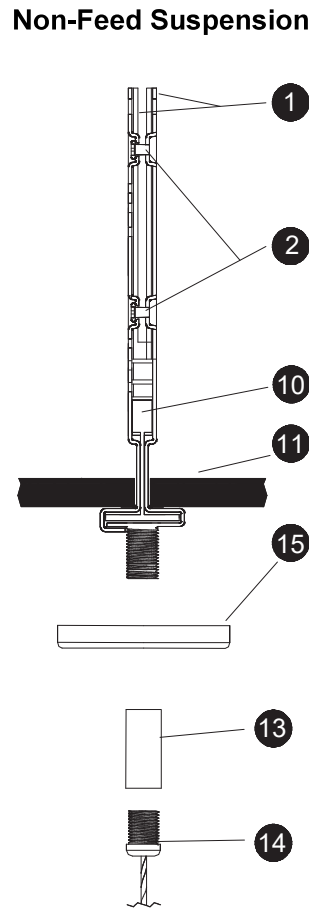
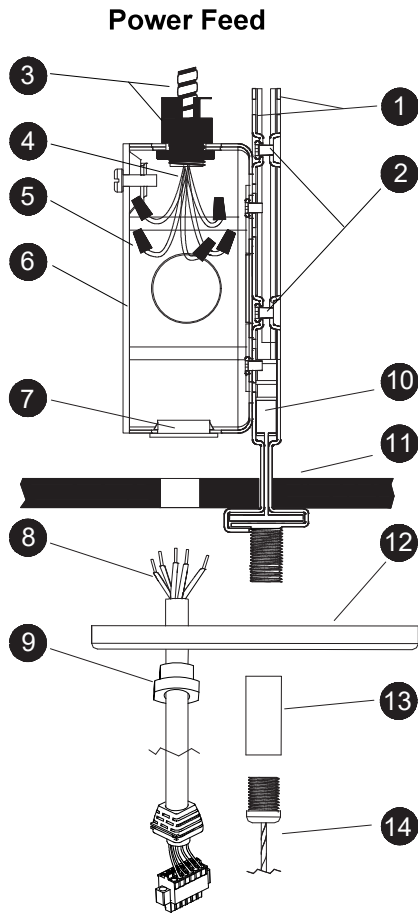
- Drill (2) holes in wall as per Fig. 29.
- Install wall anchors and secure luminaire with supplied Type A screws.
- Cut roll lens into a suitable length (as per Length Calculator) and install into channel of fixture housing.

Fig. 29



1.06'(323m) 2FT Fixture	1.06'(323m) 2FT Fixture	1.06'(323m) 2FT Fixture	1.06'(323m) 2FT Fixture	1.06'(323m) 2FT Fixture
3.03'(923mm) 4FT Fixture	3.03'(923mm) 4FT Fixture	3.03'(923mm) 4FT Fixture	3.03'(923mm) 4FT Fixture	3.03'(923mm) 4FT Fixture
7.00'(2131mm) 8FT Fixture	0.94'(288mm) 7.00'(2131mm) 8FT Fixture	0.94'(288mm) 7.00'(2131mm) 8FT Fixture	0.94'(288mm) 7.00'(2131mm) 8FT Fixture	0.94'(288mm) 7.00'(2131mm) 8FT Fixture

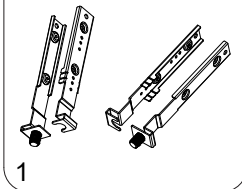
GRID MOUNT



Parts List

- ① Assembled T-grid Clips
- ② Clip Screws
- ③ Armored Cable (By Others)
- ④ Power Cord (By Others)
- ⑤ Wire Nut (By Others)
- ⑥ 4" Octagon Junction Box (By Others)
- ⑦ Plastic Grommet (By Others)
- ⑧ Power Cord
- ⑨ Bushing
- ⑩ T-grid (By Others)
- ⑪ Ceiling Tile (By Others)
- ⑫ Power Feed Canopy
- ⑬ Threaded Sleeve M10
- ⑭ Aircraft Cable
- ⑮ Non-Feed Canopy
- ⑯ Connection plate kit

Assembled T-grid Clips, x2



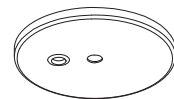
Clip Screws, x4



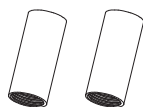
Bushing, x1



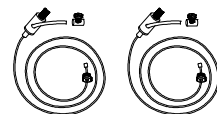
Power Feed Canopy, x1



Threaded Sleeve M10, x2



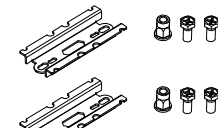
Aircraft Cable, x2



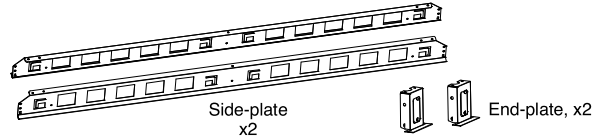
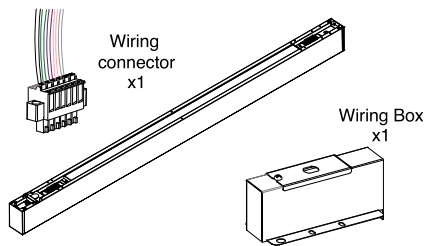
Non-Feed Canopy, x2



Connection plate kit, x2

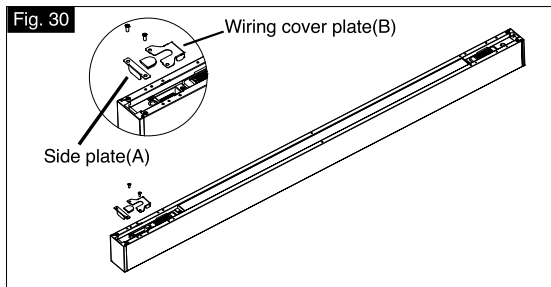


RECESSED MOUNT

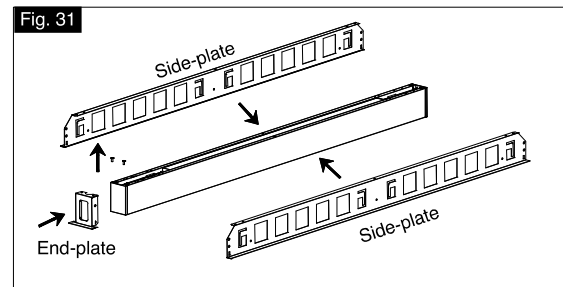


- Stainless steel spring clips x4(8*)
- Screw C: M4*6*8mm, x1(2ft), x3(4ft), x5(8ft)
- Screw D: M4*10*10mm, x8(16*)
- *for 8FT fixture Accessory for single luminaire.

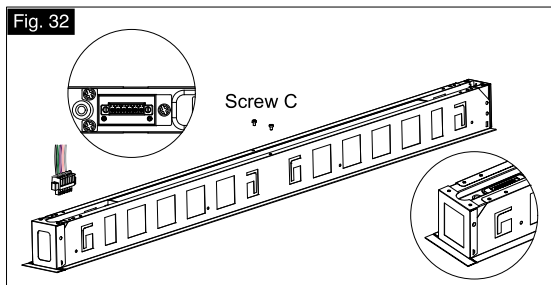
- Remove original wiring cover Plate A and B.



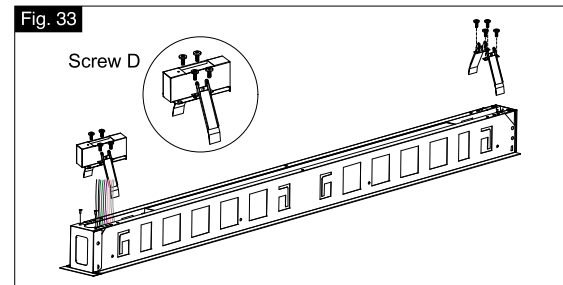
- Remove 2 screws on fixture back, attach side-plates and end-plates to fixture.



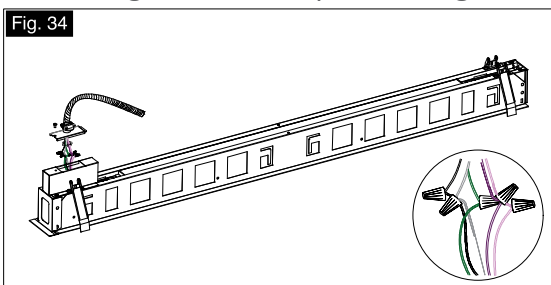
- Use Screw C to secure side plates (for 4ft and 8ft fixtures).
- Secure wiring connector to fixture by 2 screws.



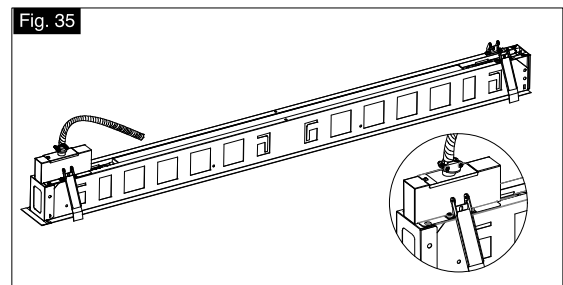
- Attach spring clips and wiring box to side plates.
- Use Screw D to secure side plates, wiring box and all clips.
- Use screws removed in Fig. 31 to lock end-plates.



- Secure pipe to the access plate removed from wiring box and complete wiring to code.

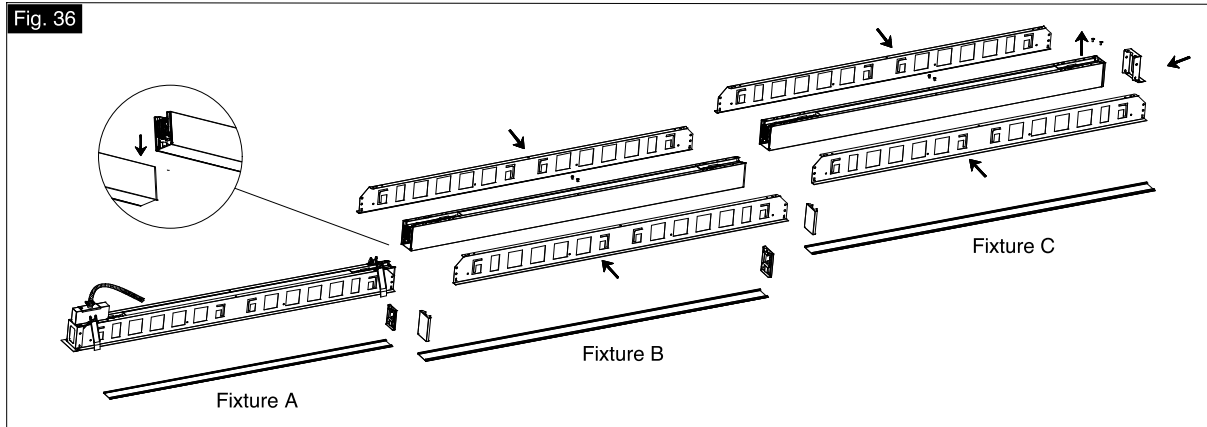


- Attach access plate and pipe to the wiring box.

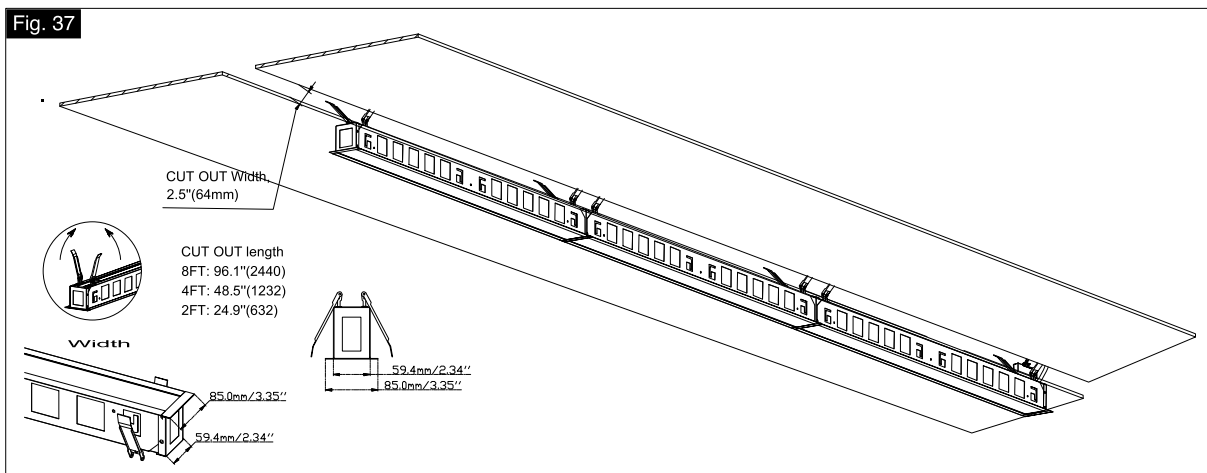


RECESSED MOUNT continued

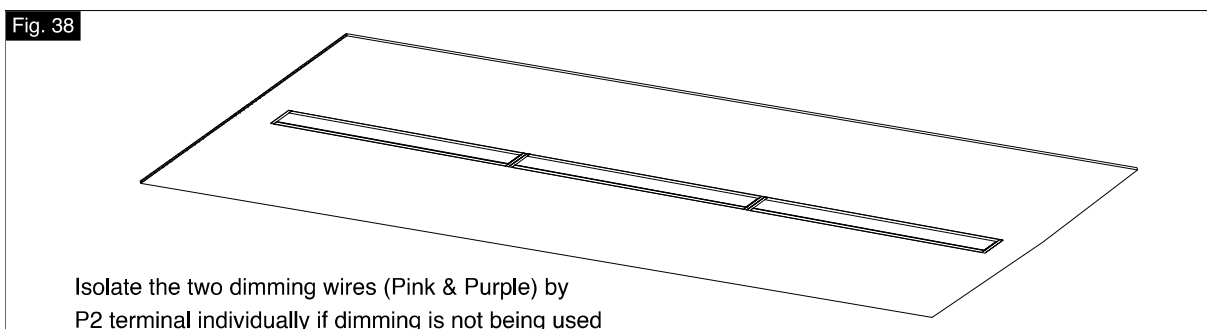
- Remove 2 screws on fixture back, then attach side-plates and end-plates to fixture.
- Remove luminaire end caps and lens according to the Fig. 36.
- Align Fixture B to Fixture A, then align Fixture C to Fixture B. Press to interlock the 3 fixtures in a line.



- Align fixture to pre-cut hole, lift the spring clips and insert fixture to the ceiling.



- Clean fingerprints and smudges.



EMERGENCY BATTERY BACK-UP

