

# Str8Line Linear

## INSTALLATION INSTRUCTIONS



**IMPORTANT:**

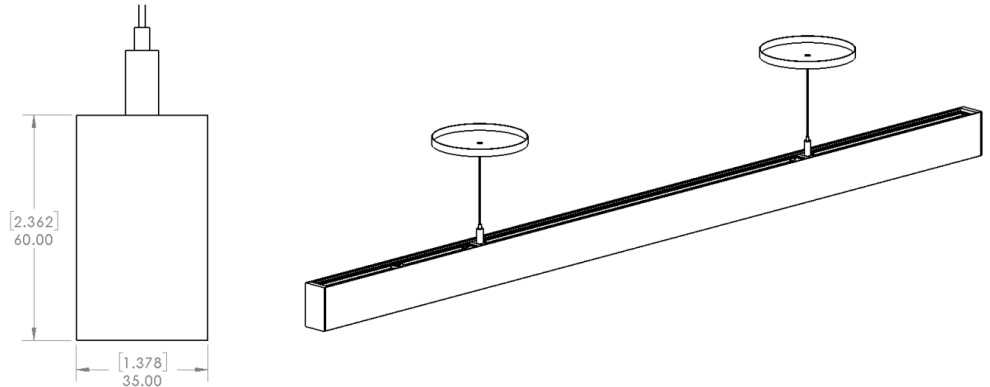
**CAUTION:**

**WARNING:**

Read **ALL** instructions before starting installation.

To reduce risk of shock, **TURN OFF ELECTRICAL SUPPLY** before installing / servicing the fixtures. Do not make or alter any open holes in an enclosure of wiring or electrical components during kit installation. Before installing the retrofit kit, please ensure to inspect any existing components being reused for the installation of the product (i.e., lampholders). If any of the parts are found to be damaged please repair or replace those parts prior to installation of the retrofit kit.

Fixture must be installed in accordance of National Electrical Code (NEC) and/or any local codes. *Failure to do so may result in serious injury and/or damage to the fixture.*



**Recommended Tools**

**Screw Driver  
(Phillips)**



**Wire Stripper**



**Wire Nuts**



**Safety Instructions**

- Observe and follow all label information and instructions regarding location listings, proper lamp type and wattage, warnings of installation near combustible materials and/or insulation.
  - Turn off power at circuit breaker before attempting to install or perform maintenance on the fixtures.
  - Be sure to connect ground wire to prevent electric shock or other potential hazards.
  - Product must be installed in a manner consistent with the intended use and in compliance with the national electrical codes and local codes.
  - **WARNING: RISK OF FIRE.** Most dwellings built before 1985 have supply wire rated for 60°C. Consult a qualified electrician before installation. The fixture must be connected with supply wire rated for at least 75°C.
  - Carefully unpack each luminaire and suspension hardware kit. Assemble suspension components as shown below.
  - Adjust position of suspension bracket on back of luminaire to match your ceiling structure. 6 ft. is the recommended maximum space between suspensions drops.
- Driver input specs: 120-277V, 50/60Hz, 0.4A

**Assembly Instructions**

