

LumiTray 2.0

RECESSED MOUNT GRID INSTALLATION INSTRUCTIONS

SOLAIS®



IMPORTANT:
CAUTION:

Read **ALL** instructions before starting installation.

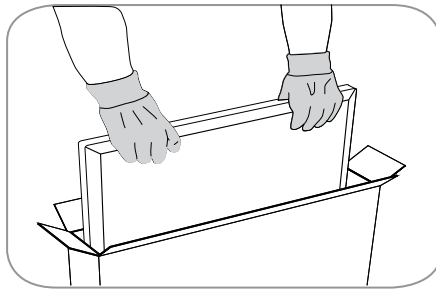
To reduce risk of shock, **TURN OFF ELECTRICAL SUPPLY** before installing / servicing the fixtures. Properly ground electrical enclosure.

Do not perforate the integrity of the luminaire. Only screw into the threaded mounting bracket holes located at the four corners of the fixture.

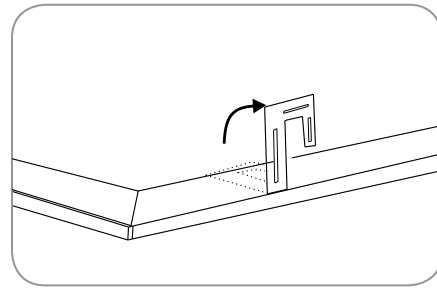
WARNING:

RISK OF FIRE. DO NOT INSTALL INSULATION WITHIN 3" OF LUMINAIRE TOP.

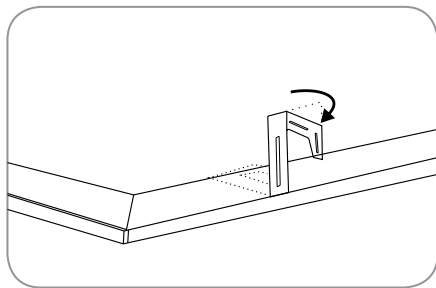
Fixture must be installed in accordance of National Electrical Code (NEC) and/or any local codes. *Failure to do so may result in serious injury and/or damage to the fixture.*



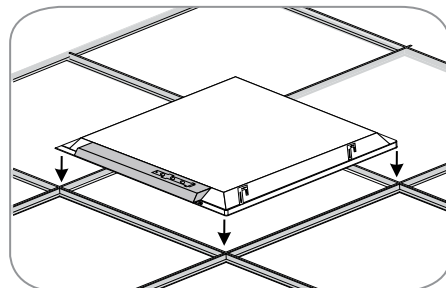
- 1 Take the panel out of the box and protective bag, Remove the protective film



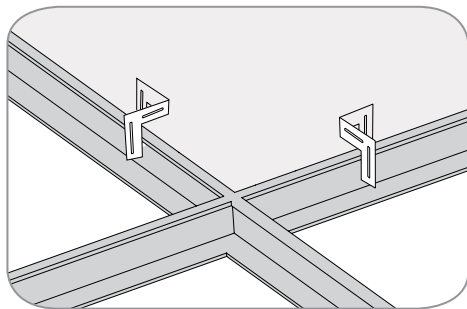
- 2 Lift the mounting clip on the edge of panel.



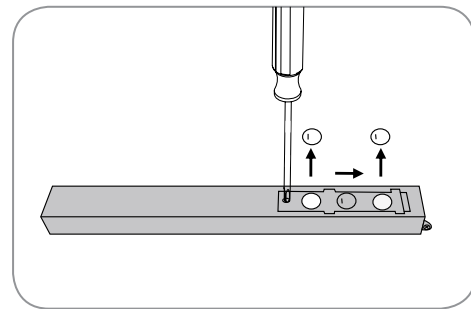
- 3 Turn the mounting clip head



- 4 Put the panel into grid ceiling.



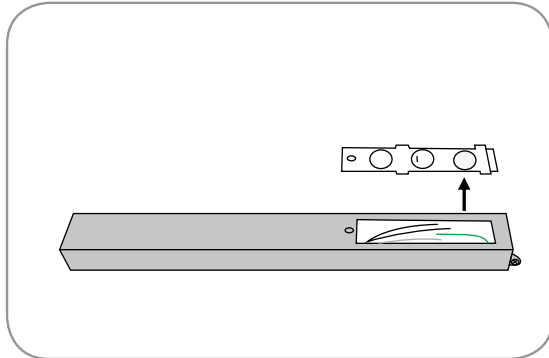
- 5 Check the clips well fasten to T-BAR(Main/Cross ceiling tee).



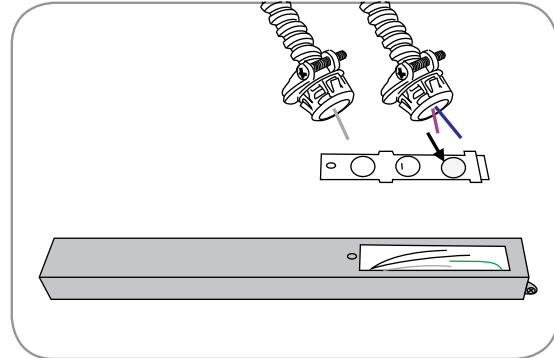
- 6 Remove the driver box cover.

LumiTray 2.0

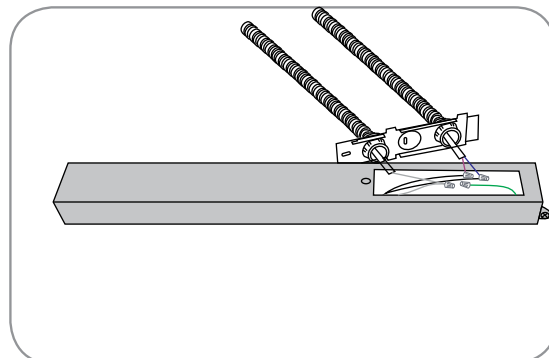
RECESSED MOUNT GRID INSTALLATION INSTRUCTIONS



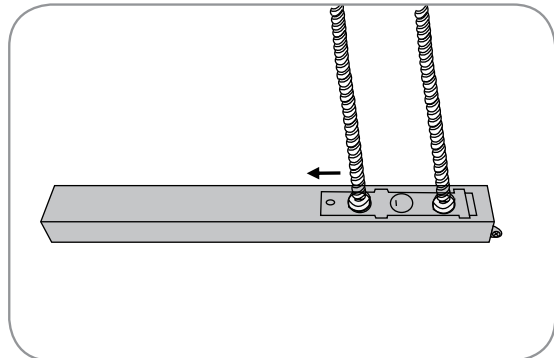
7 Open the knockout hole.



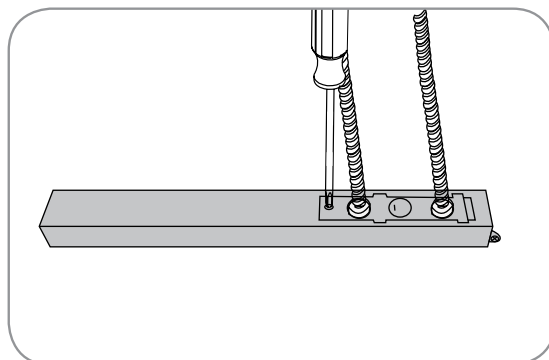
8 Insert the cable into driver box.



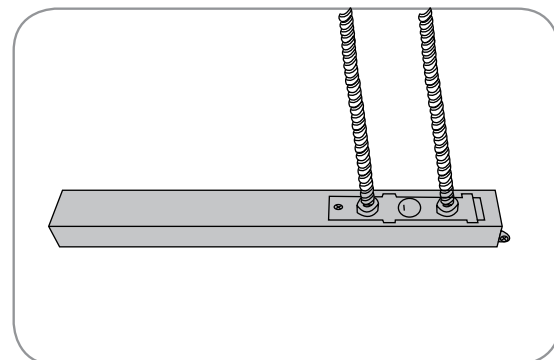
9 Connect the AC mains power to LED Driver for Non-dimmable panel.



10 Connect the AC mains power and 0-10V dim cable to LED Driver for 0-10V dimmable panel.



11 Fix the driver cover back.



12 Complete.

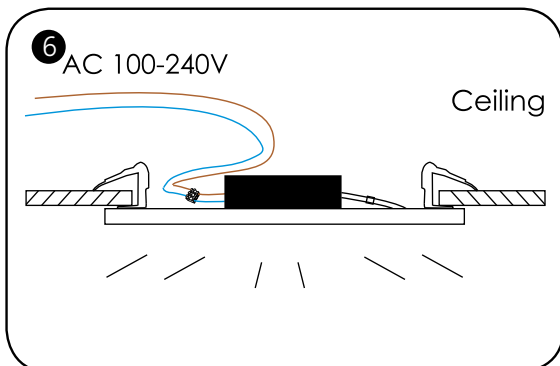
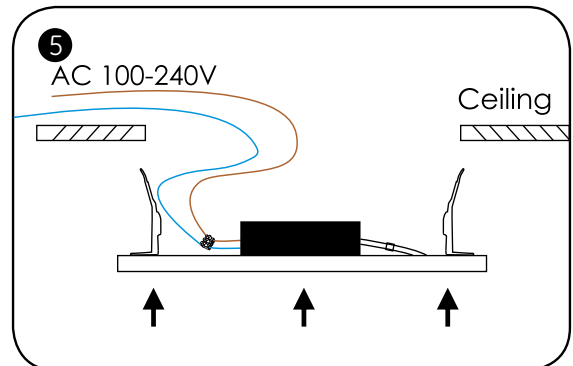
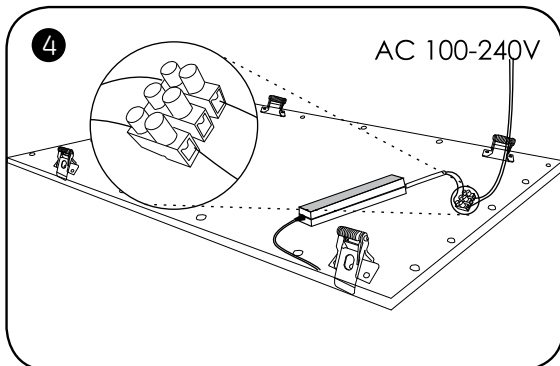
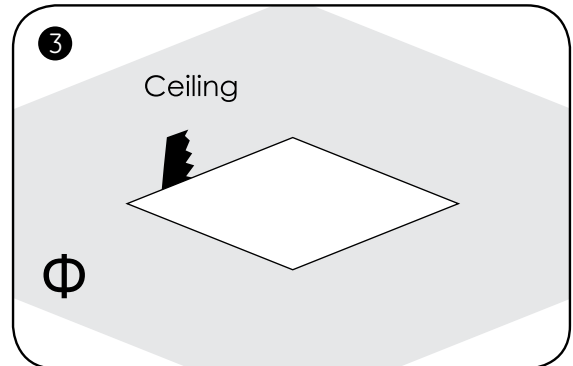
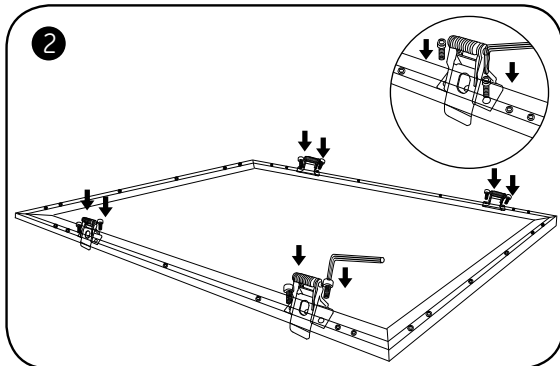
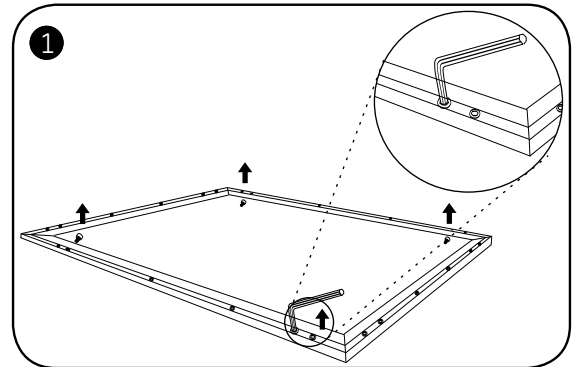
LumiTray 2.0

RECESSED MOUNT CUT-OUT INSTALLATION INSTRUCTIONS



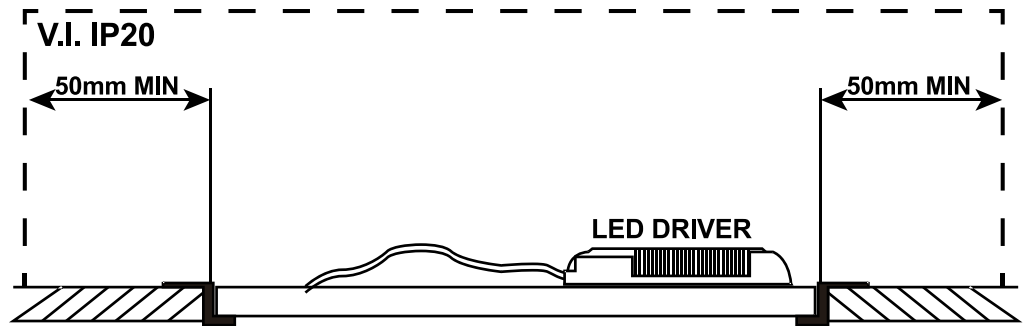
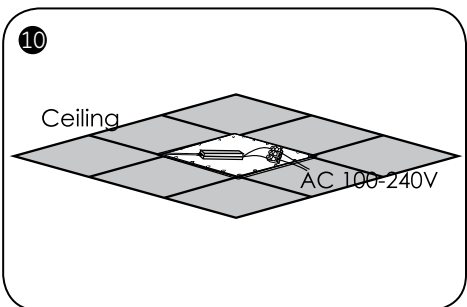
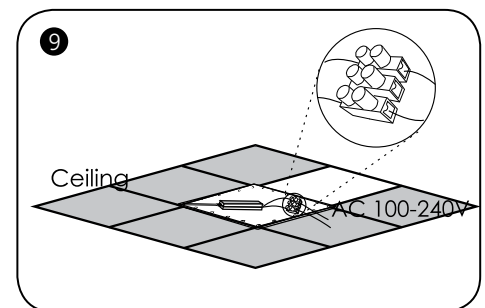
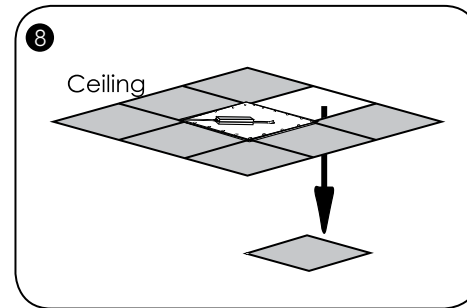
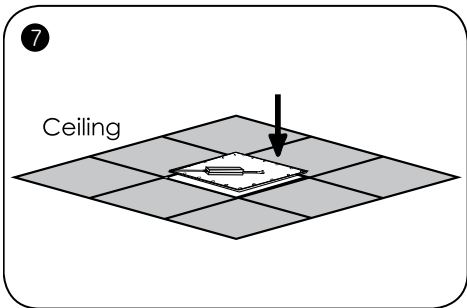
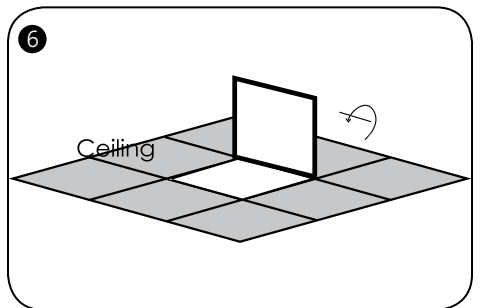
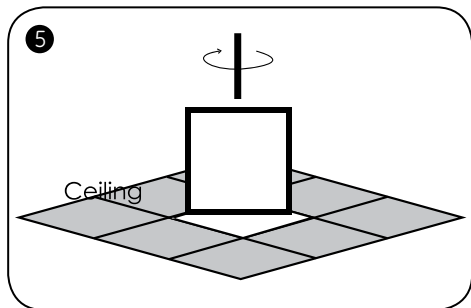
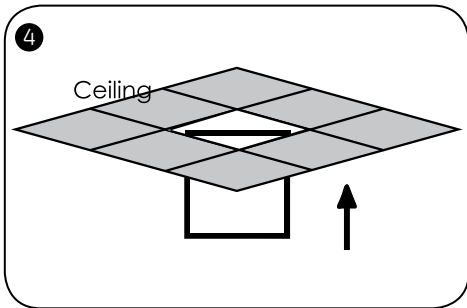
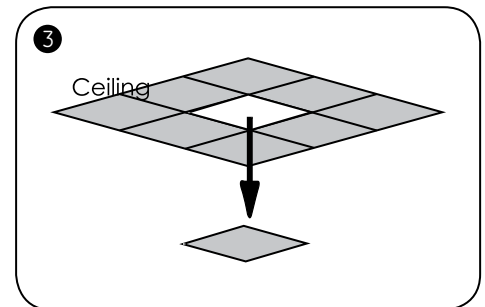
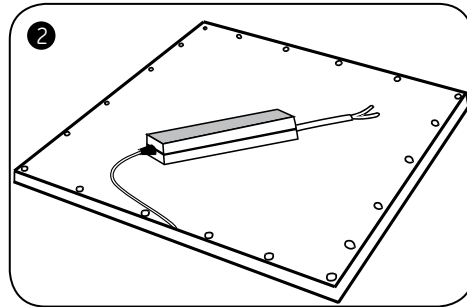
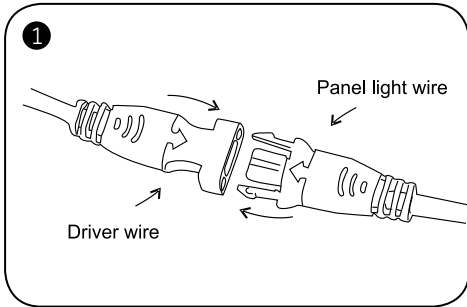
Accessories	3030	3060	6060	6262	30120	60120
		X 4			X 6	
		X 8			X 12	
			X 1			
			X 1			

Tools You Need



LumiTray 2.0

RECESSED MOUNT FRAME INSTALLATION INSTRUCTIONS



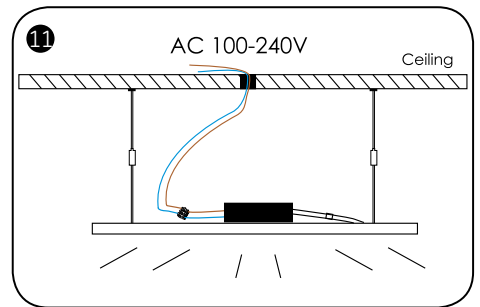
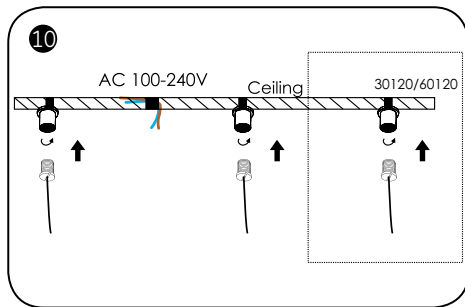
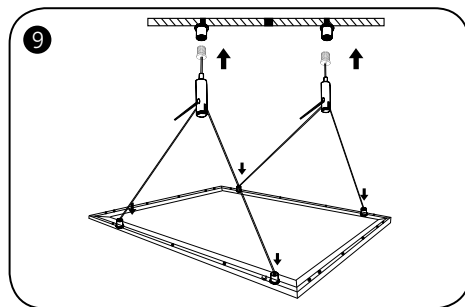
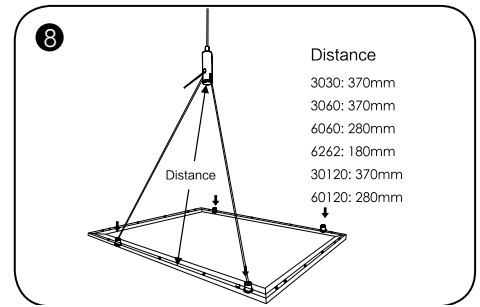
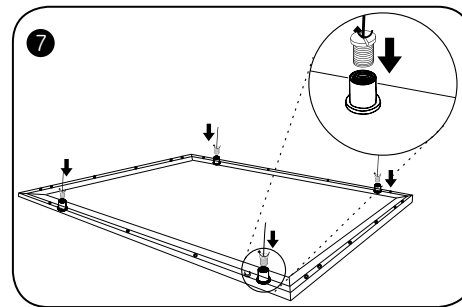
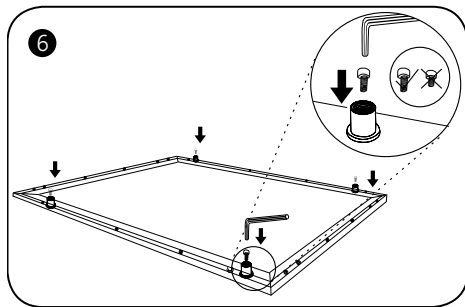
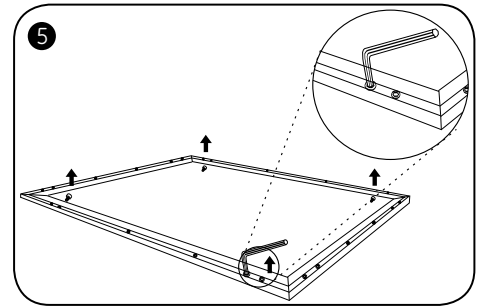
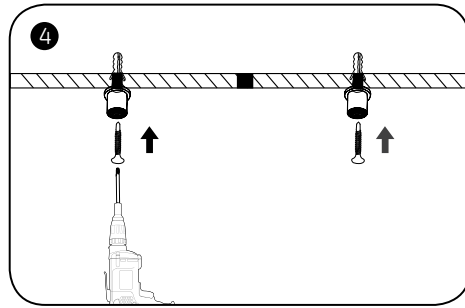
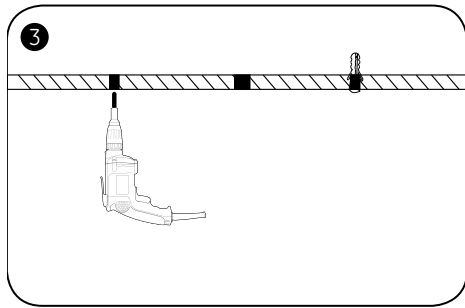
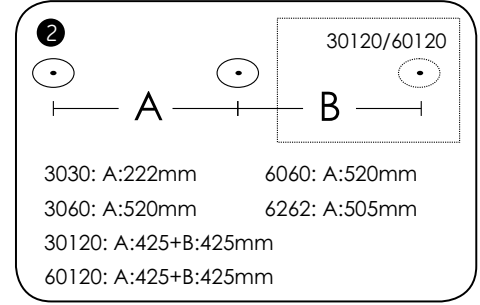
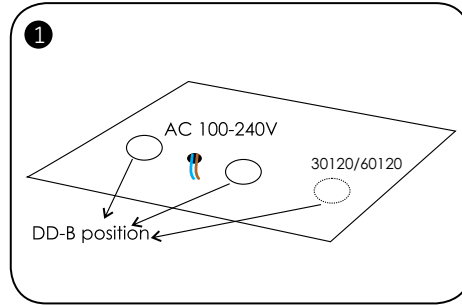
LumiTray 2.0

CABLE MOUNT INSTALLATION INSTRUCTIONS



Accessories	3030	3060	6060	6262	30120	60120
		X 4			X 6	
		X 4			X 6	
		X 4			X 6	
web A		X 2			X 3	
web B		X 2			X 3	
					X 1	

Tools You Need



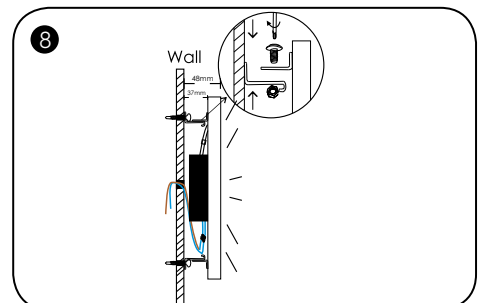
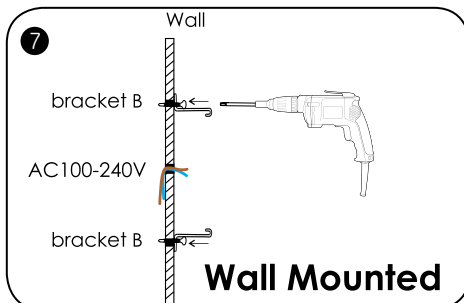
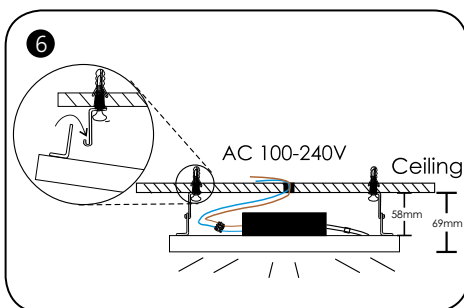
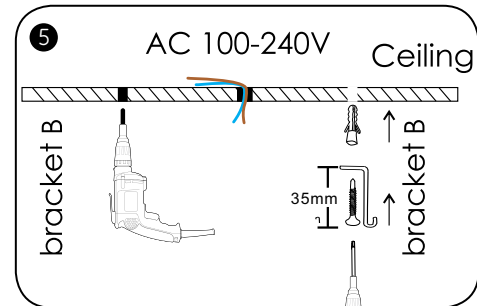
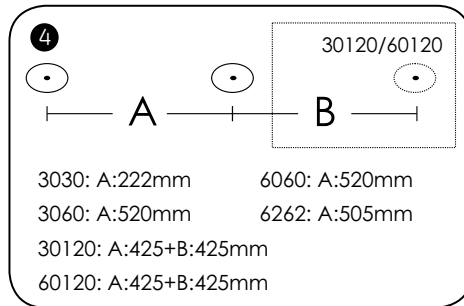
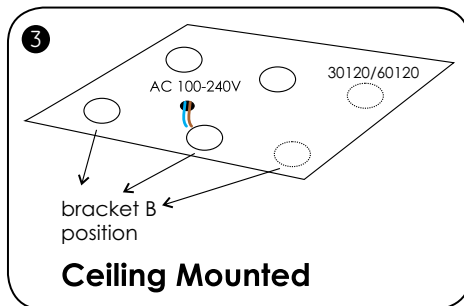
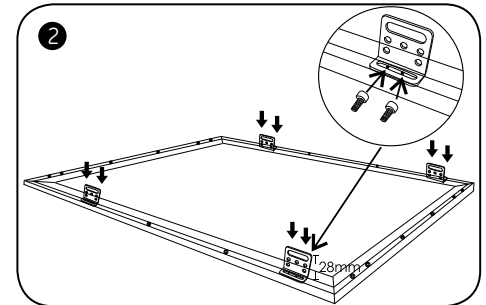
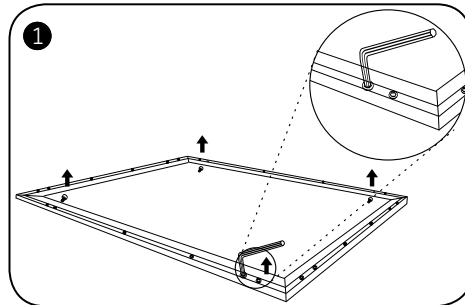
LumiTray 2.0

SURFACE/WALL MOUNT INSTALLATION INSTRUCTIONS



Accessories	3030	3060	6060	6262	30120	60120
Bracket A		X 4			X 6	
Bracket B		X 4			X 6	
Drill		X 4			X 6	
Screw		X 4			X 6	
Washer		X 4			X 6	
Spacer		X 4			X 6	
Washer		X 4			X 6	
Washer		X 4			X 6	
			X 1			

Tools You Need



LumiTray 2.0

SURFACE MOUNT FRAMING INSTALLATION INSTRUCTIONS



Accessories	3030	3060	6060	6262	30120	60120
Frame A		X 2			X 2	
Frame B		X 2			X 2	
		X 8			X 8	
		X 4			X 6	

Tools You Need

