

RXSR12-RML

ZUMTOBEL RETROFIT INSTALLATION INSTRUCTIONS



IMPORTANT: Read **ALL** instructions before starting installation.

CAUTION: To reduce risk of shock, **TURN OFF ELECTRICAL SUPPLY** before installing/servicing fixtures.

WARNING: Fixture must be installed in accordance of National Electrical Code (NEC) and/or any local codes. *Failure to do so may result in serious injury and/or damage to the fixture.*

RECOMMENDED TOOLS

**Screw Driver
(Flat head
& Phillips)**



**Wire
Cutter/Stripper**



SAFETY INSTRUCTIONS

- Observe and follow all label information and instructions regarding dry, damp and wet location listings, proper lamp type and wattage, warnings of installation near combustible materials and/or insulation.
- Turn off power at circuit breaker before attempting to install or perform maintenance on the fixtures.
- **WARNING: RISK OF FIRE OR ELECTRIC SHOCK.** Luminaire wiring and electrical parts may be damaged when drilling for installation of LED retrofit kit. Check for enclosed wiring and components. LED retrofit kit installation requires knowledge of luminaires electrical systems. If not qualified, do not attempt installation, and contact a qualified electrician.
- Install this kit only in luminaires that have the construction features and dimensions shown in the drawings and where the input rating of the retrofit kit does not exceed the input rating of the luminaires.
- Only the open holes indicated in the drawings may be made or altered as a result of kit installation. Do not leave any other open holes in an enclosure of wiring or electrical components. Do not make or alter any other open holes in an enclosure of wiring or electrical components during kit installation.
- **WARNING:** To prevent wiring damage or abrasion, do not expose wiring to edges of sheet metal or other sharp objects.
- This retrofit kit is accepted as a component of a luminaire where the suitability of the combination shall be determined by authorities having jurisdiction.
- RXSR12-RML series are suitable for use in the existing recessed luminaires that housing is sized min. 0.026 in. (0.66 mm) thick, overall dimensions 15-5/8" by 11-5/8" by 4-5/8";
- Integral wiring compartment panel provided with two openings for access to supply connection.

RXSR12-RML

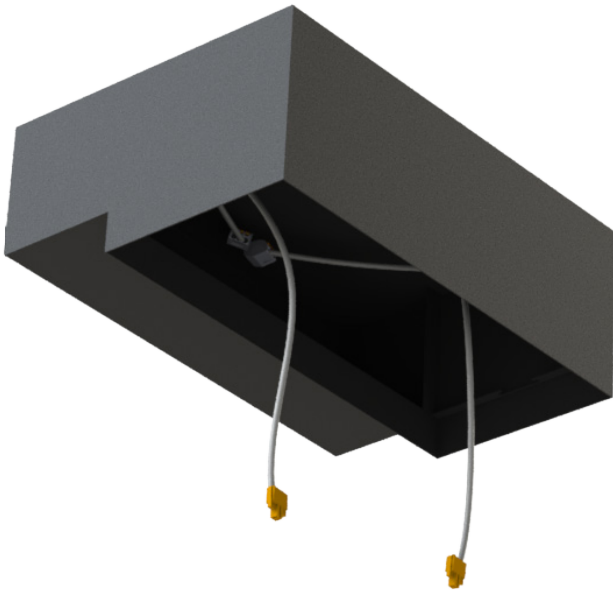
ZUMTOBEL RETROFIT INSTALLATION INSTRUCTIONS



ORIGINAL MATERIAL REMOVAL INSTRUCTIONS

1.
 - Pull down on trim and compress springs to release trim from housing
 - Disconnect quick connects to allow for complete removal of trim assembly.
 - Using a screw driver, unscrew electrical panel inside housing.
 - Cut wiring connections to remove wiring assembly and panel from housing.
 - Use a flat head screw driver to remove quick connects from wiring panels.

RETROFIT INSTRUCTIONS



2.
 - Using wagos provided, make the following electrical connections.
 - All wiring must be done inside the electrical compartment.
 - Connect white wires coming from wiring harness and power source.
 - Connect black wires coming from wiring harness and power source.

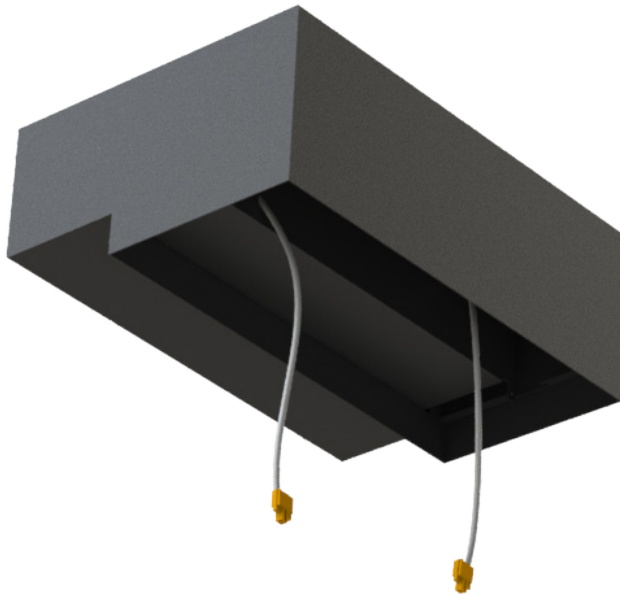
RXSR12-RML

ZUMTOBEL RETROFIT INSTALLATION INSTRUCTIONS



RETROFIT INSTRUCTIONS COMPLETED

3. Route orange quick connects through openings in wiring panel.



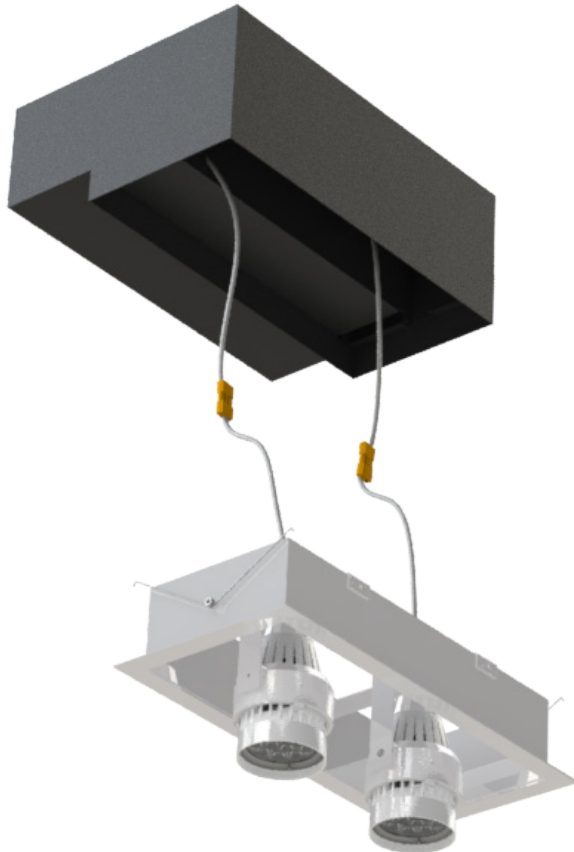
4. Screw wiring panel back into place with orange quick connects hanging out of housing for further assembly.

RXSR12-RML

ZUMTOBEL RETROFIT INSTALLATION INSTRUCTIONS



RETROFIT INSTRUCTIONS COMPLETED



5. • Connect retrofit assembly to power using the quick connects.
• Once connected, push orange quick connects back through the openings in the wiring panel.

6. • Conceal excess sleeved wiring by pushing it through the opening in the wiring panel.
• No supply conductor without sleeving shall be exposed outside the wiring compartment.
• Compress springs and insert into slots in housing.
• Push trim flush with ceiling.

