



**IMPORTANT:**

Read **ALL** instructions before starting installation.

**CAUTION:**

To reduce risk of shock, **TURN OFF ELECTRICAL SUPPLY** before installing / servicing the fixtures.

**WARNING:**

Fixture must be installed in accordance of National Electrical Code (NEC) and/or any local codes. *Failure to do so may result in serious injury and/or damage to the fixture.*

Recommended Tools

Hammer



Screw Driver  
(Phillips)



Wire  
Stripper



Wire Nuts

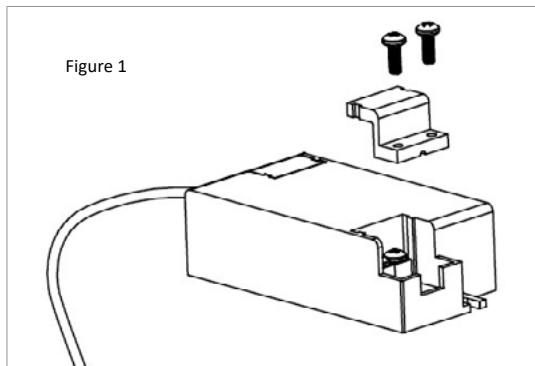


Safety Instructions

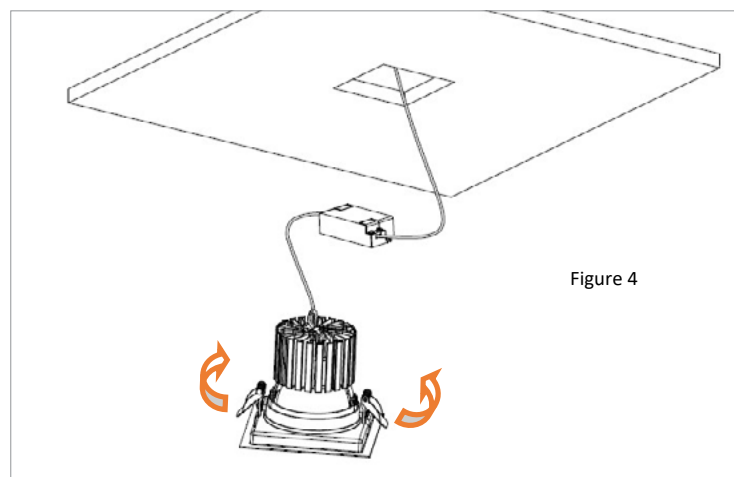
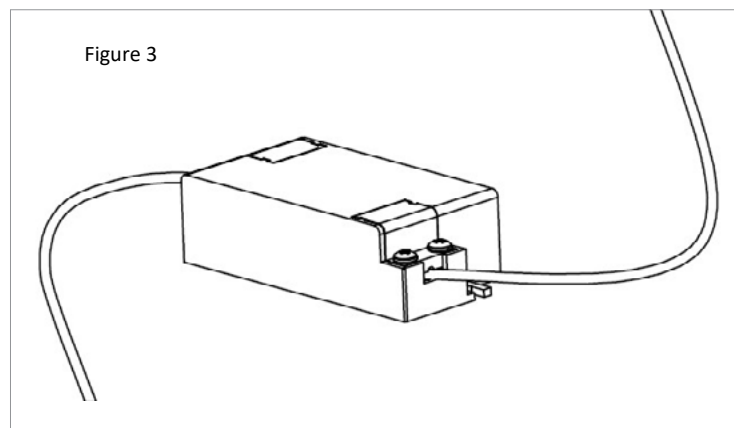
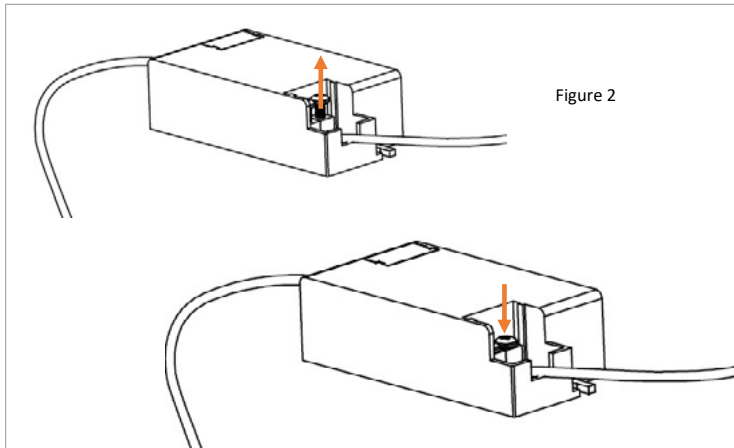
- Observe and follow all label information and instructions regarding dry, damp and wet location listings, proper lamp type and wattage, warnings of installation near combustible materials and/or insulation.
- Turn off power at circuit breaker before attempting to install or perform maintenance on the fixtures.
- Be sure to connect ground wire to prevent electric shock or other potential hazards.
- The product must be installed in a manner consistent with the intended use and in compliance with the national electrical codes and local codes.
- Do not block the trim aperture as this may cause unsafe operating conditions.
- **WARNING: RISK OF FIRE.** Consult a qualified electrician before installation. The fixture must be connected with supply conductors rated for a minimum 60°C.
- Use only Solais Lighting trims listed for use with this fixture. Use of trims other than those listed by Solais Lighting is a violation of N.E.C 110-3(B) and voids all warranties. Use **ONLY** with proper Solais Lighting modules.
- This product must be installed in accordance with the applicable installation code by a person familiar with the construction and operation of the product and the hazards involved.

INSTALLATION INSTRUCTIONS AT CEILING LEVEL

Figure 1



- Remove round head M3 screws from the power supply driver to release the wiring plate (Figure1).



- Unscrew clamp terminals to make wiring connections. Connect black wire to LIVE (L) wiring connector and white wire to NEUTRAL (N) wiring connector. Tighten screws back down to ensure wiring connection (Figure 2).

- Use M3 screws to close and lock the wiring plate (Figure 3).

- Squeeze spring clips on trim and push trim into housing ensuring the trim is flush to the ceiling. Once all fixtures have been installed, power at the breaker can be restored (Figure 4).