



IMPORTANT: Read **ALL** instructions before starting installation.

CAUTION: To reduce risk of shock, **TURN OFF ELECTRICAL SUPPLY** before installing/servicing fixtures

WARNING: Fixture must be installed in accordance of National Electrical Code (NEC) and/or any local codes. *Failure to do so may result in serious injury and/or damage to the fixture.*

RECOMMENDED TOOLS

Screw Driver
(Phillips)



Wire
Nuts



Wire
Cutter/Stripper



SAFETY INSTRUCTIONS

- Observe and follow all label information and instructions regarding dry, damp and wet location listings, proper lamp type and wattage, warnings of installation near combustible materials and/or insulation.
- Turn off power at circuit breaker before attempting to install or perform maintenance on the fixtures.
- Be sure to connect ground wire to prevent electric shock or other potential hazards.
- Product must be installed in a manner consistent with the intended use and in compliance with national electrical codes and local codes.
- **WARNING: RISK OF FIRE.** Consult a qualified electrician before installation. The fixture must be connected with supply conductors rated for a minimum 60°C.
- This product must be installed in accordance with the applicable installation code by a person familiar with the construction and operation of the product and the hazards involved.

INSTALLATION INSTRUCTIONS



1. Remove original fixture from ceiling, then expose existing cables and wires through ceiling cutout.
2. Open knockouts on of the j-box as needed, opposite from the side of fixture attachment.
3. Open j-box attached to Solais fixture and insert strain relief (by others) into knockout(s) as needed. Secure cables within j-box.
4. Connect wires within the j-box using wire nuts. (Connect line to black, neutral to white, and green to the grounding screw)

INSTALLATION INSTRUCTIONS



5. Snap cover on j-box to close and push it up through the ceiling cutout.



6. Place j-box to rest above the ceiling.



7. To install module, align and insert pins of module into holes of GU24 base.

8. Firmly rotate module a quarter turn, clockwise to lock it in.

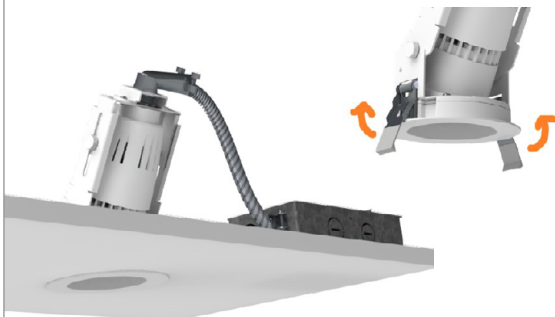
9. Loosen the upper knobs in order to adjust the height of the assembly for module to seat into trim assembly, then tighten to lock it into place.

10. Fixed, non-adjustable fixtures are ready to install. For adjustable fixtures, to set the desired angle, loosen lower knobs, then tighten to lock into place.

11. Press on springs and hold in upright position while pushing fixture through ceiling cutout.

Fixed, Non-adjustable

Adjustable



12. Release springs upon clearing the ceiling in order to hold fixture in place and ensure flange is flush with ceiling