

# XFR + XSR

## INSTALLATION INSTRUCTIONS



**IMPORTANT:**

**CAUTION:**

**WARNING:**

Read **ALL** instructions before starting installation.

To reduce risk of shock, **TURN OFF ELECTRICAL SUPPLY** before installing / servicing the fixtures.

Fixture must be installed in accordance of National Electrical Code (NEC) and/or any local codes. *Failure to do so may result in serious injury and/or damage to the fixture.*

### Recommended Tools

Hammer



Screw Driver  
(Phillips)



Wire  
Stripper



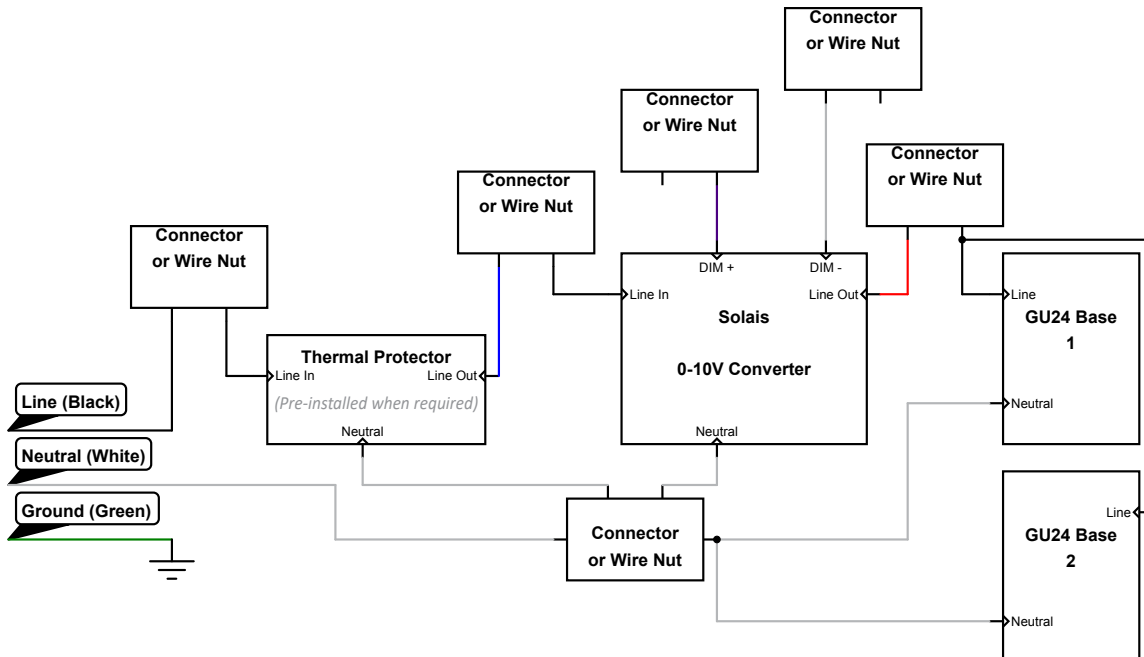
Wire Nuts



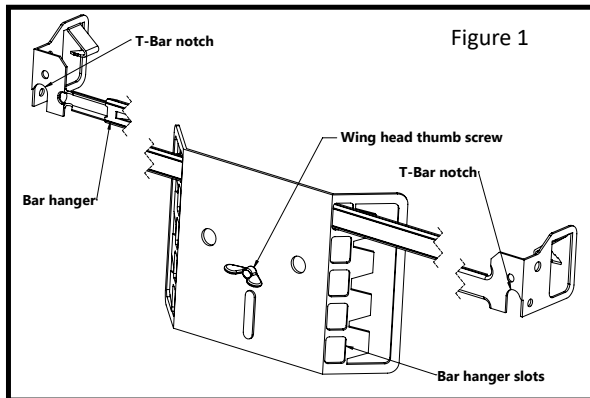
### Safety Instructions

- Observe and follow all label information and instructions regarding dry, damp and wet location listings, proper lamp type and wattage, warnings of installation near combustible materials and/or insulation.
- Turn off power at circuit breaker before attempting to install or perform maintenance on the fixtures.
- Be sure to connect ground wire to prevent electric shock or other potential hazards.
- The product must be installed in a manner consistent with the intended use and in compliance with the national electrical codes and local codes.
- Do not block the trim aperture as this may cause unsafe operating conditions.
- **WARNING: RISK OF FIRE.** Consult a qualified electrician before installation. The fixture must be connected with supply conductors rated for a minimum 60°C.
- Use only Solais Lighting trims listed for use with this fixture. Use of trims other than those listed by Solais Lighting is a violation of N.E.C 110-3(B) and voids all warranties. Use **ONLY** with proper Solais Lighting modules.
- This product must be installed in accordance with the applicable installation code by a person familiar with the construction and operation of the product and the hazards involved.

### 0 - 10 V Dimming Diagram

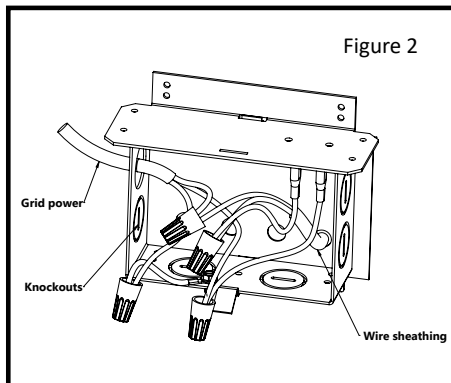


### Installation Instructions



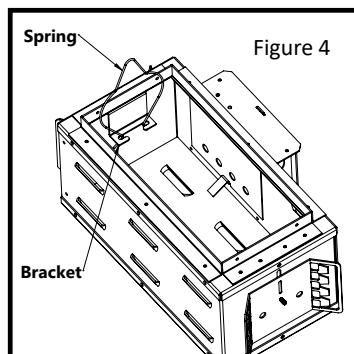
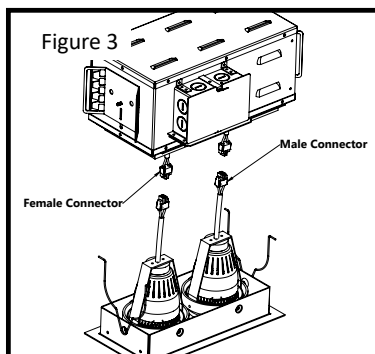
- Universal mounting bracket has slot openings for C-channel. (Figure 1).
- C-Channel hangers are recommended for T-Bar ceilings, install with notches facing down to engage T-Bar grid (Figure 1).
- Mounting bracket includes a wing nut to adjust fixture to accommodate different ceiling thickness or ceiling construction (Figure 1)

### Making Electrical Connections



- Remove desired knock out for conduit or romex cable. Use only UL listed connectors.
- Connect black wire from fixture to black (**HOT**) supply wire, white wire from fixture to white (**NEUTRAL**) supply wire and connect the ground from fixture to green (**GROUND**) supply wire. Use UL listed connectors or wire nuts to make the connections (provided by others). (Figure 2).
- Close and lock door ensuring all wire connections and wire are contained within the junction box.

### Installation Instructions



- Install modules into GU-24 sockets
- Connect female connector(s) on trim to male connector(s) on housing (Figure 3).
- Squeeze torsion springs on trim and insert into bracket in housing (Figure 4).
- Push trim into housing ensuring the trim is flush to the ceiling.
- Once all fixtures have been installed, power at the breaker can be restored.