



**IMPORTANT:** Read ALL instructions before starting installations.

**CAUTION:** To reduce risk of shock, **TURN OFF ELECTRICAL SUPPLY** before installing/servicing fixtures.

**WARNING:** Fixture must be installed in accordance of National Electrical Code (NEC) and /or any local codes.  
*Failure to do so may result in serious injury and/or damage to the fixture.*

### SAFETY INSTRUCTIONS

- **Verify that supply voltage matches the voltage marked on the fixture label. Failure to do so may result in damage to the light fixture and will void the warranty.**
- Observe and follow all label information and instructions regarding dry, damp and wet location listings, proper type and wattage, warnings of installation near combustible materials and or insulation.
- Be sure to connect ground wire to prevent electric shock or other potential hazards.
- Product must be installed in a manner consistent with the intended use and in compliance with national electrical codes and local codes.
- This product must be installed in accordance with the applicable installation code by a person familiar with the construction and operation of the product and the hazards involved.
- These instructions do not purport to cover all details or variations of installations, operation or maintenance. Contact Solais Lighting Group if a specific problem or clarification needs to be addressed that is not covered by these instructions.

### RECOMMENDED TOOLS

WIRE  
CUTTER/STRIPPER



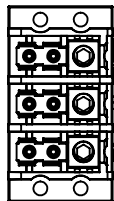
STRAIGHT  
SCREWDRIVER



1/2", 9/16" & 11/16" SOCKETS  
& TORQUE WRENCH



### WIRING DIAGRAM

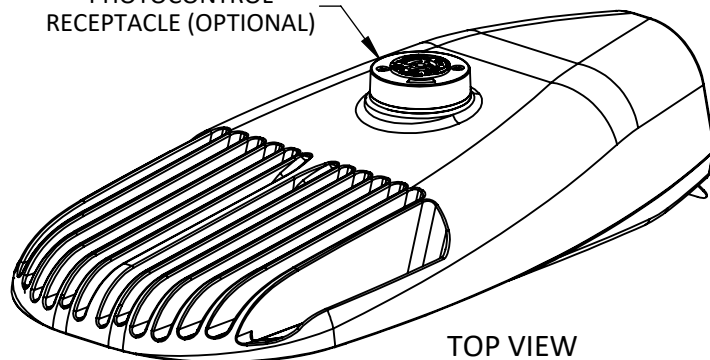


N ——— WHITE  
G ——— GREEN  
L ——— BLACK

\* STRIP SUPPLY WIRES TO 0.25" LONG AND  
INSERT INTO TERMINAL BLOCK AS SHOWN.

TERMINAL BLOCK

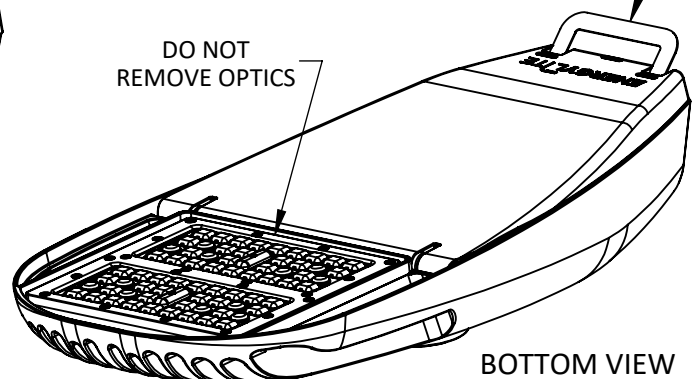
PHOTOCONTROL  
RECEPTACLE (OPTIONAL)



TOP VIEW

RETAINING  
CLIP

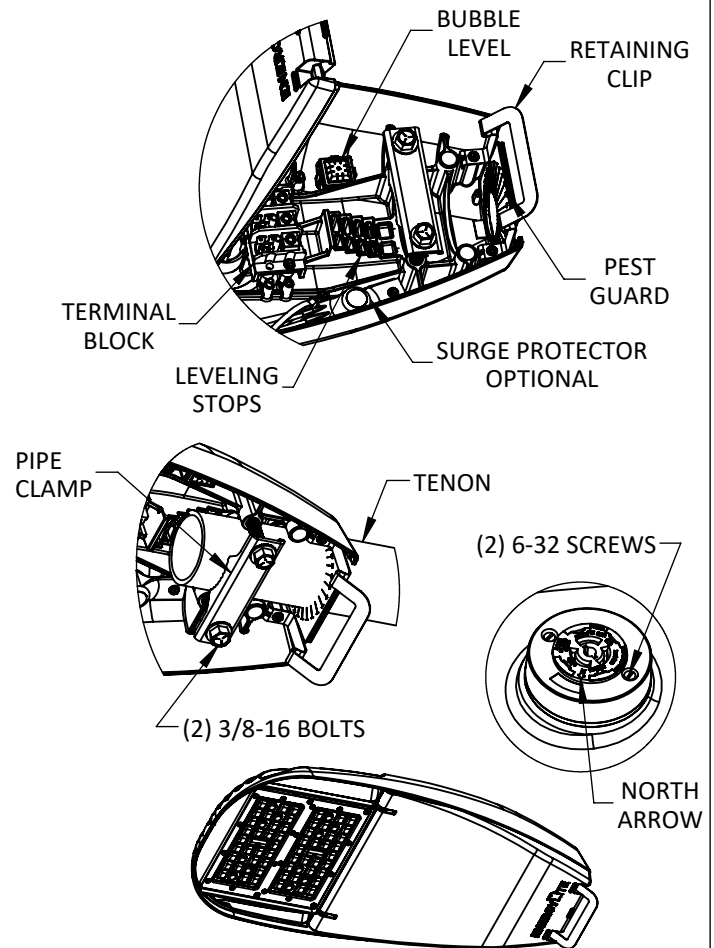
DO NOT  
REMOVE OPTICS



BOTTOM VIEW

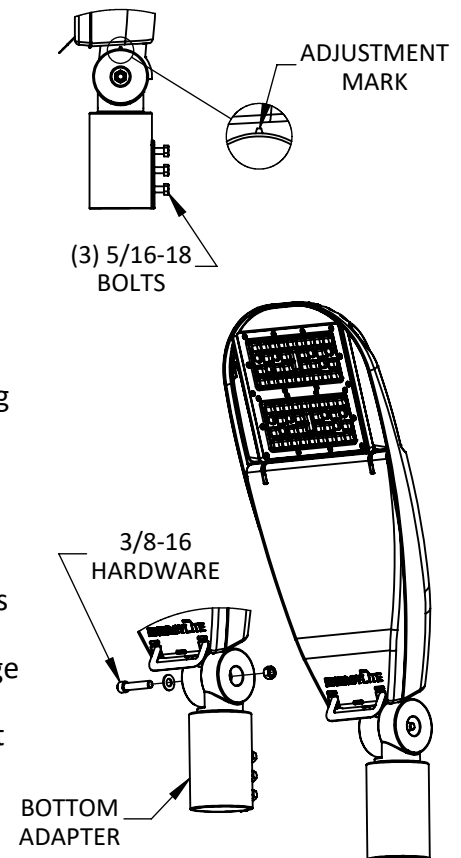
## INSTRUCTIONS: HL SERIES FIXTURE

- Disengage retaining clip to open and remove cover.
- Slip fixture over pole tenon (1-5/8" OD to 2-3/8" OD).
  - Be careful not to pinch wires.
- Seat pole tenon on desired leveling stops (2.5° step increments).
- Level fixture with the use of the bubble level provided inside the fixture.
- Secure pipe clamp with the (2) 3/8-16 mounting bolts to 30-35 ft-lbs of torque.
  - Tighten the two bolts evenly.
- Install and secure supply wires into terminal block per wire diagram on page 1.
  - Strain relief supply wires to prevent pull at connection.
- **Photocontrol Receptacle (option)**
  - Loosen (2) 6-32 screws on receptacle cover.
  - Rotate center of receptacle with screw driver so that the arrow points in the north direction.
  - Refasten receptacle cover with (2) 6-32 flathead screws to 8-12 in-lbs.
  - Install photocell or shorting cap (not supplied).
- Re-attach cover to the fixture and securely close until retaining clip makes an audible click.
  - Careful not to pinch wires.
  - Ensure retaining clip is fully engaged.
- Turn on power.



## INSTRUCTIONS: HL OFF-ROAD SERIES

- Loosen (3) 5/16-18 hex head bolts on the bottom adapter.
- **Wire Pigtail (option)**
  - Use wire nuts (not supplied) to connect fixture wires to supply wires and tuck inside the pole/tenon.
  - Slip fixture onto the pole/tenon until it stops against internal wall of adapter. Be careful not to pinch wires.
- **Terminal Block wiring (option)**
  - Separate bottom adapter from fixture by removing 3/8-16 hardware.
  - Feed supply wires through wireway hole of bottom adapter and secure it to pole/tenon with (3) 5/16-18 bolts.
  - Route supply wires into wireway hole of top adapter and into housing far enough to reach terminal block.
  - Re-attach fixture to bottom adapter with the 3/8-16 hardware. Be careful not to pinch wires.
  - Install and secure supply wires into terminal block per wire diagram on page 1. Strain relief supply wires to prevent pull at connection.
- Aim fixture in desired direction and secure (3) 5/16-18 bolts with 11-15 ft-lbs of torque.
- To adjust the angle of the fixture, loosen the 3/8-16 bolt enough to disengage the teeth of the adapters.
- Rotate the fixture housing to the desired angle and retighten the 3/8-16 bolt with 30-35 ft-lbs of torque.
  - Note angular adjustment mark on knuckle castings and set other fixtures at the same angle if desired.
- Turn on power.



5017-000006, rev. A