

# G-Type Track Adapter

## INSTALLATION INSTRUCTIONS



**IMPORTANT:** Read **ALL** instructions before starting installation. Save instructions for later use.  
**CAUTION:** To reduce risk of shock, **TURN OFF ELECTRICAL SUPPLY** before installing/servicing track.  
**WARNING:** **TRACK** must be installed with its intended use and in accordance of National Electrical Code (NEC) and/or any local codes. *Failure to do so may result in serious injury and/or damage.*

### SAFETY INSTRUCTIONS

- Do not exceed the nominal supply voltage or amperage ratings.
- **RISK OF FIRE** For indoor use only. Most dwellings built pre-1985 use supply wire rated at 60°C. Consult a qualified electrician before installation.
- To reduce the risk of fire and shock, use only adapters and luminaires intended for use with Solais G-type 240 V.
- Solais G-type 240 V track and accompanying components are rated for 240 V, ### A capacity (5540 W max at 240 V).
- For Europe 240 V 50 Hz
- Do not exceed the nominal supply voltage or amperage rating.
- Do not use any kind of solvent, glue, grease, oil or cleaner on adapters or other lighting track components. These foreign materials can cause cracking and/or damage to the components.
- The luminaire shall only be used with a certified track system according to the latest standard of IEC / EN 60570 global trac base and pro systems
- Observe the marking of the packaging materials for waste separation, which are marked with abbreviations (a) and numbers (b) with following meaning: 1–7: plastics / 20–22: paper and fibreboard / 80–98: composite materials.
- The product and packaging materials are recyclable, dispose of it separately for better waste treatment. Contact your local refuse disposal authority for more details of how to dispose of your worn-out product.

- The luminaires are only allowed to be connected and maintained by skilled persons.
- "The light source of this luminaire is not replaceable; when the light source reaches its end of life the whole luminaire shall be replaced"

- Die Leuchten dürfen nur von Fachkräften angeschlossen und gewartet werden.
- „Die Lichtquelle die ser Leuchte ist nicht ersetzbar; wenn die Lichtquelle ihr Lebensdauerende erreicht hat, ist die gesamte Leuchte zu ersetzen.“

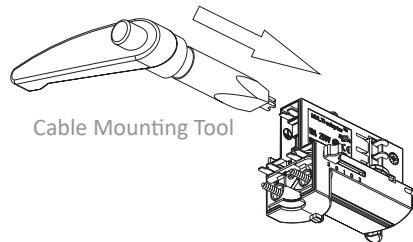


# G-Type Track Adapter

## INSTALLATION INSTRUCTIONS



### ORIGINAL MATERIAL REMOVAL INSTRUCTIONS



Cable Mounting Tool

FIGURE 1

- Using the cable mounting tool, press the conductors into the connectors.

- Choose the desired phase.

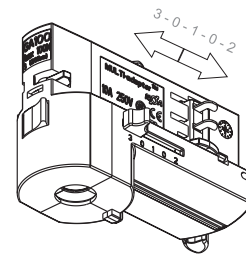


FIGURE 2

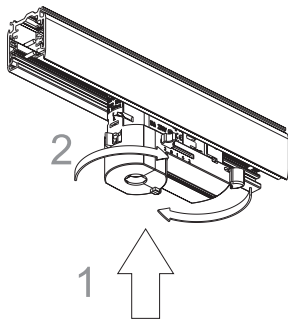


FIGURE 3

- Fasten the adapter by pushing up and rotating the adapter counter-clockwise.

- To remove the adapter, pull down and rotate the adapter clockwise.

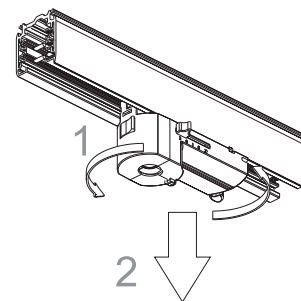


FIGURE 4